



# **Heartland**

## **AG SYSTEMS**

Heartland Agriculture, LLC

### **DRY FERTILIZER APPLICATOR PULL TYPE SPREADER**

**AG400**

**AG600**

**AG500**

**AG800**

**AGX10**

**SINGLE AND DUAL SPINNERS**

**OWNERS MANUAL  
ASSEMBLY INSTRUCTIONS  
AND PARTS LIST  
OM-PTS**



# WARRANTY REGISTRATION

## TO THE DEALER:

Inspect the implement thoroughly after assembly to be certain it is functioning properly before delivering it to the customer. Check off each item as it is found satisfactory or after proper adjust is made.

### PRE -DELIVERY CHECKLIST

- \_\_\_\_\_ 1. All hardware properly tightened.
- \_\_\_\_\_ 2. Lubrication of grease fittings.
- \_\_\_\_\_ 3. All decals properly located and readable.
- \_\_\_\_\_ 4. Other adjustments, "level operation", "drawbar height", etc.
- \_\_\_\_\_ 5. Proper tongue weight after all options are mounted.  
Adjustments made if required.
- \_\_\_\_\_ 6. Overall condition. Touch-up paint any scratches. Clean and polish
- \_\_\_\_\_ 7. Operator's manual.

Seller Information	
Date set-up	_____
Signature	_____
Dealer name	_____
Address	_____
City, state, zip	_____
Phone	_____

Review the operator's manual with the customer. Explain the following:

- \_\_\_\_\_ 1. Safe operation and service
- \_\_\_\_\_ 2. Correct machine installation and operation.
- \_\_\_\_\_ 3. Correct and periodic lubrication and maintenance.
- \_\_\_\_\_ 4. Daily and periodic inspection.
- \_\_\_\_\_ 5. Troubleshooting.
- \_\_\_\_\_ 6. Storing machine.
- \_\_\_\_\_ 7. Heartland AG Systems parts and service
- \_\_\_\_\_ 8. Have the customer write the machine model and serial number in the space provided in the manual introduction
- \_\_\_\_\_ 9. Give the customer the operator's manual and encourage the customer to read the manual carefully.

Customer Information	
Date delivered	_____
Customer name	_____
Customer address	_____
Signature	_____
Model number	_____
Serial number	_____

PLEASE FILL OUT THIS SHEET AND RETURN TO HEARTLAND AG SYSTEMS

1180 State Highway 7 East Hutchinson, MN 55350

[www.heartlandag.com](http://www.heartlandag.com) | Heartland Agriculture, LLC dba Heartland AG Systems



# CONTENTS

SPDRCNT06  
Rev 11/6/20

Introduction	2	Ag600 Wagon Illustration & Parts List	53 & 54
Warranty	W1-8	Ag500 Wagon Illustration & Parts List	55 & 56
Safety Inst., Cautions and Warnings	5 & 6	Ag500 Wagon Illustration w Henschen Axle	57 & 58
Operating and Service Instructions	7 - 12	Ag400 Wagon Illustration & Parts List	59 & 60
Spread Pattern Testing & Adjustment	13 - 19	Hubs (6 bolt and 8 bolt) Std Axles	61
Standard Rate Charts	20 - 23	Hubs (6 bolt Henschen Axle)	62
Lo-Speed Rate Charts	24 & 25	PTO Conversion, 540 to 1000 rpm	63
Decals and Reflective Tape	26 - 29	Wheel Lug Nut Torque Information	63A
Fertilizer Box Illustration & Parts List	30 & 31	Brake Actuator, "DICO" Parts Illustration	64 & 65
Single Distributor Illustration & Parts List	32 & 33	Pole Heads, Dico Actuator	66
Dual Distributor Illustration & Parts List	34 & 35	Brake Actuator, "DEMCO" (2003-2005)	67
Dual Distributor Chute/Deflector Adjustment	36	Pole Heads, Demco Actuator (2003-2005)	68
Notes	36A	Brake Clusters Parts Illustrations	69 & 70
Hydraulic Drive Plumbing (Single Dist.)	37 & 38	Brake Line Parts & Schematic	71 - 74
Hydraulic Drive Plumbing (Dual Dist.)	39 & 40	Brake Adjusting / Bleeding Brakes	75
Hydraulic Drive Operating Instructions	41	Apron Drive Assembly (mechanical)	76 & 77
Gasoline Engine Spreader Shaft Drive	42	Apron Drive Assembly (hydraulic)	78 & 79
Screw Jack for Spreader box Gate	43	Opt. Raven Hyd. Apron Drive System	80 & 81
Flip-top Tarp and Tarp with Supports	44 - 46	Opt. PWM Hyd. Apron Drive System	82 & 83
Gear Box (Single) Illustration & Parts List	47 & 48	Opt. Trimble IQ. Hyd Apron Drive System	84
Gear Box (Dual) Illustration & Parts List	49 & 50	Weigh Frame Assy/Parts Information	85
Ag800/AGX10 Wagon Illustration & Parts List	51 & 52	Weigh Frame Indicator Mounting	86

# INTRODUCTION

Read this manual carefully. It will instruct you on how to operate and service your machine safely and correctly. Failure to do so could result in personal injury and/or equipment damage.

Right hand and left hand sides of the machine are determined by (standing behind the machine) facing in the direction the machine will travel when going forward.

## SAFETY INFORMATION

**DANGER:** This message denotes the most serious specific potential hazard. This sign will have the color combination of RED and WHITE.

**WARNING:** This message denotes a specific potential hazard.

**CAUTION:** This message denotes a reminder of safety practices.



**NOTE:** Indicates a special point of information.

\*\*\*\*\*  
\*\*\*\*\*  
Carefully read and follow all safety signs.  
Reinstall safety signs that are damaged or missing.

Warranty is provided for customers who operate and maintain their equipment as described in this manual. Warranty registration is accomplished by the dealer completing and forwarding the WARRANTY REGISTRATION FORM along with a copy of the dealer's invoice to Heartland Ag Systems. It is in your best interest to insure that this has been done.

WARRANTY does not cover the following.

- 1. Cleaning, transporting, mailing and service call charges.
- 2. Depreciation or damage caused by normal wear, accidents, improper protection or improper use.

\*\*\*\*\* See complete WARRANTY for details

Record your machine model and serial number in the space provided. Your dealer needs this information to give you prompt, efficient service when you order parts.

MODEL NUMBER \_\_\_\_\_

SERIAL NUMBER \_\_\_\_\_

DATE PURCHASED \_\_\_\_\_

## **Warranty Policies and Terms**

The Heartland Agriculture, LLC warranty is a limited warranty that is provided to the retail purchaser in return for consideration paid as part of the purchase price for a product. The selling dealer must review the warranty coverage with the retail purchaser and obtain a signature on the Operators Manual for warranty verification.

The warranty described here is for Heartland Agriculture, LLC doing business as Heartland AG Systems and its product line Heartland AG Systems Equipment sold and registered in the United States and Canada and normally operated in the United States and Canada.

## **Warranty Period**

The warranty period for all coverage begins at the time that any person, dealer or agent first places the unit into service. At the latest, a unit is placed into service when purchased or delivered to a purchaser.

## **What's Covered**

If a defect in material or workmanship is found in a unit and reported during the Warranty period, Heartland AG Systems will pay parts and labor costs to repair the defects if the services are performed by an authorized Heartland AG Systems dealer. If parts are needed during the repair, Heartland AG Systems will, at its option, use genuine Heartland AG Systems, or remanufactured parts.

Heartland AG Systems provides no warranty, express or implied, for a component or other item that is separately warranted to the purchaser by its manufacturer, such as tires. Check with your local dealer for these details.

## **Exclusive Remedy**

The remedy of repairing a defect in material or workmanship at a Heartland AG Systems dealership under the terms of this warranty is the purchaser's exclusive remedy and is in lieu of any other remedy otherwise available.

## **No Modification or Extension of Warranty**

The Heartland AG Systems Warranty is limited to the written terms in the warranty statement. Heartland AG Systems does not authorize any person, dealer, or agent to change or extend the terms of this warranty in any manner. Any assistance to the purchaser in the repair or operation of any Heartland AG Systems product outside the terms or limitations or exclusions of this warranty will not constitute a waiver of the terms, limitations or exclusions of this warranty, nor will such assistance extend or re-establish the warranty.

The warranty is void if the unit is used in an application for which it is not designed or the unit has been scrapped, salvaged, stolen, junked or totaled.

### **Limitations and Exclusions**

The Heartland AG Systems warranty gives you specific legal rights and you may also have other rights, which vary from state to state. This section contains the entire Heartland AG Systems warranty. Heartland AG Systems makes no other representations or warranties, expressed or implied, and specifically excludes the implied warranties of merchantability and fitness for particular purpose. Heartland AG Systems will not be liable for incidental or consequential damages resulting from a breach of the written warranty or any implied warranty.

- These limitations and exclusions may not be allowed by some states or provinces and shall not apply to the extent such limitations or exclusions are not allowed by applicable state/provincial law.

### **Owner's Responsibility**

The Heartland AG Systems Warranty remains in effect during the warranty period if the owner performs the required maintenance at the recommended intervals outlined in the product's operator's manual and the unit is operated within its rated capacity. Genuine Heartland AG Systems service parts or Heartland AG Systems approved service parts that meet Heartland AG Systems specifications must be used for maintenance and repairs.

### **What Is Not Covered**

- Replacement of non-defective wear items expected to be replaced during the warranty period, including, but not limited to: lights, fuses, belts, drive sprockets and chains, hose, soil engaging tools, spray tips, fertilizer deflectors, spinner blades and accessories or items replaced due to customer demand.
- Normal maintenance parts and service, including, but not limited to lubrication, coolants, and filters.
- All travel costs associated with hauling or towing a customer's machine to and from a repair center related to any warranty repair unless specifically covered by a program or policy.
- Repairs arising from any unauthorized modification to the product.
- Repairs arising from service performed by agents not approved by Heartland AG Systems.
- Repairs arising from storage deterioration, failure to maintain the equipment, improper use of the equipment, collision or other accident, vandalism, or other casualty, or operation beyond the rated capacity or specifications.
- Repairs arising from abuse or neglect including, but not limited to operation without adequate lubricants or coolant, over-speeding, contaminated fluids, improper storage, starting, warm-up, or shutdown practices.
- Failure of the machine, its implements or attachments caused by improper field application or overloading.
- Premiums charged for over-time labor costs.
- Economic loss, including lost profits, crop loss, equipment rental or other expenses.
- Cost associated with cleaning of machine in preparation for service.
- Loss or damage during shipment.



- Cost of initial setup or installation of any optional equipment or attachments to a unit.
- Items used for repairs include, but are not limited to: solvents, cleaners, anti-seize lubricants, oil-dry, shop towels, shop supplies, special tools, etc.
- Included, but not limited to are checkups, adjustments, and shimming, tune-ups, spread pattern checks, etc.
- Unauthorized modification or field fixes.
- All costs of special tools or shop supplies incurred with repairs.
- Claims for stolen equipment or parts.
- Claims for replacing a complete assembly when the repair is less than the replacement.
- Claims involving the inspection or reconditioning of units.
- Shop comebacks: any duplicate, repeat, or comeback repair resulting from improper diagnosis, testing, or poor service work.
- Cost of removing or installing Non-Heartland AG Systems optional equipment or attachments.

#### **Base Warranty Coverage**

- Base Warranty is the factory warranty provided to the customer at no additional cost for a specific period covering the complete machine.

• Liquid Applicators, except tires	1 Year
• Spreaders and Tenders, except tires	1 Year
• Nh3 Wagons, except tires	1 Year
• Bumper Hitches	1 Year
• Disc Covers	1 Year
• Parts	90 Days
• Tandem Wagons (except tires and main frame)	1 year
o Tandem Wagon main frame	5 Years
• Nitromaster Toolbars shall carry the following pro-rated warranty:	
o Year one, all components except tires	100%
o Year two, center section and wings	80%
o Year three, center section and wings	50%
o Year four, center section and wings	25%
o Year five, center section and wings	10%

### **Tires**

Tires installed on all Heartland AG Systems Equipment are warranted and serviced by their manufacturer's service outlets. Some manufacturers have separate service outlets for off road agricultural and construction equipment. Service is available by contacting the tire manufacturer's local representative.

### **Warranty Registration**

All machinery items, which are invoiced by Heartland AG Systems on separate receivables, must be registered for warranty. The warranty period for all coverage begins at the time that any person, dealer, or agent first places the unit into service. New machine warranty coverage begins when the machine is registered. Registration is accomplished when a properly completed Warranty Registration is received and processed by Heartland AG Systems.

### **Operator's Manual/Warranty Receipt Verification**

The Heartland AG Systems New Equipment Limited Warranty for Agricultural Equipment statement must be filled out and signed by the customer indicating receipt and an understanding of the operator's manual and the warranty statement,

- The original form must be mailed to the address on the form.
- Make one copy for the Dealer. This copy must be retained by your dealership the same as any other legal document.
- Make a second copy for the customer.

### **Heartland AG Systems Responsibility**

If a defect in material or workmanship is found in a product during its warranty period, Heartland AG Systems will pay parts and labor costs to repair the defect when the service is performed by an authorized Heartland AG Systems dealer or agent. If parts are needed during the repair, Heartland AG Systems will, at its option, use genuine Heartland AG Systems new or remanufactured parts. These responsibilities include, but are not limited to:

- Costs for repairs that are the result of defects in material and workmanship
- Payment to dealers per policy in a timely manner
- Service information to dealers
- Identify product deficiencies and take corrective action by field campaigns
- Make determination of premature wear
- Provide unit that is free of defects in material & workmanship

### **Dealer Responsibility**

Heartland AG Systems dealers are responsible for providing prompt, courteous, and willing service to all Heartland AG Systems equipment owners. These responsibilities include but are not limited to:

- Equipment set-up and pre-delivery
- Sell the right product for the intended application
- Inspect the unit and initiate recovery action on any shipping damage and or shortages
- Instruct customer on proper use, maintenance, and safety features of machine
- Advise and explain warranty coverage to customer
- Diagnose the problem, repair the unit, and submit claims in accordance with the terms and conditions of the warranty claim policies
- Take responsibility for saying "NO" to customers on non-warranty failures
- Apply failure analysis to questionable repairs
- Complete product update campaigns
- Have properly trained technicians and adequate tools for the job
- Retain proper documentation of failure repaired

### **Owners Responsibility**

The Heartland AG Systems warranty remains in effect during the stated warranty period if the owner performs the required maintenance at the recommended times as outlined in the products operator's manual. Genuine Heartland AG Systems or Heartland AG Systems approved service parts must be used for maintenance. Additionally, the owner will pay for all transportation or travel expenses related to any warranty repair.

These responsibilities include, but are not limited to:

- Perform maintenance as indicated in the operator's manual
- Use the unit in the correct application (non-abusive)
- Notify dealer of failures and have the machine available for repair in a timely manner
- Training operators
- Travel cost, towing charges, and service calls
- Normal wear items
- Machine damage (accidental)
- Adjustments for application
- Machine inspection (daily walk-around)

### **Warranty Eligibility**

The dealer is responsible to determine that any Heartland AG Systems equipment is covered by Heartland AG Systems warranty before performing a repair and that the repair is a warrantable failure. Any dealer who is in doubt of the equipment's warranty eligibility may call Heartland AG Systems for verification.

### **Warranty Repairs Made by the Customer**

If a Heartland AG Systems dealer determines that the customer is capable, and the customer requests permission to perform select(warranty)repairs on his product, the Heartland AG Systems dealer is authorized to grant this customer request. The servicing dealer should provide the parts to the customer upon request, and to assure that customer is properly instructed on how to perform the repairs correctly.

The servicing dealer is responsible and accountable for claim accuracy and validity; specifically, in areas such as the parts replaced date, and assurances that the parts are installed as instructed by Heartland AG Systems. The comments section of the claim should clearly state that the customer installed the parts. The claim reimbursement will be for parts and applicable handling only. No labor is allowed! All replacement parts must be held for possible recall.

### **Parts Shortages on Whole-Goods**

Dealers may submit a claim for parts shortages discovered during pre-delivery or during final assembly at the dealer's location. All claims for shortages must be submitted 5 days from the original ship date from the plant and before the warranty start date.

### **Warranty Reimbursement Policies**

Heartland AG Systems provides for warranty reimbursement due to defects in material or workmanship only. Warranty does not include restoring any machine or portion thereof, which has accumulated hours of operation, to factory new condition. This includes customer owned and used equipment.

Except for only a few items not available through Heartland AG Systems, all Heartland AG Systems manufactured equipment warranty repairs must be performed using only Heartland AG Systems genuine new or remanufactured parts and accessories. Installation of non-Heartland AG Systems parts does not qualify for warranty reimbursement and can void the machine's warranty.

### **Parts**

It is fully expected that all claims be filed using part numbers from the applicable Heartland AG Systems equipment parts book whenever such part number exists. Heartland AG Systems shall reimburse the dealer at the dealer net price (cost) in effect on the parts replaced date.

### **Labor**

Heartland AG Systems shall reimburse the dealer at 80% of the dealer's posted retail shop labor rate. The retail shop labor rate shall be subject to verification by Heartland AG Systems from copies of actual dealer invoices to customers.

### **Outside Charges**

Specialized repair such as that done by a machine shop will be accepted as part of a warranty claim at actual cost. Explain the parts used and the service work performed in the description section of the claim and retain a copy of the receipt. Retain a copy of the invoice with the shop work order to support the claim. Outside repairs that exceed the cost of the same repair, if performed by the dealer, will be reimbursed at a lower rate.

### **Freight**



Heartland AG Systems will pay the freight charges when a warranty recalled part is to be returned to Heartland AG Systems.

### **Travel**

Travel will only be reimbursed when authorized by a field campaign.

### **Repairing or Replacing Parts and Components**

When performing a warranty repair, a complete part or component should not be replaced under warranty if the repair can be accomplished at a lower cost. If the total cost of the repair including the cost of parts, labor, and/or outside labor or materials is less than 75% of the cost of the parts, the part must be repaired.

### **Filters and Lubricants**

Replacement of lubricants and filters do not qualify for warranty reimbursement unless damage caused by a defect in material or workmanship results in contamination or sudden loss of fluid. Lack of maintenance, operator misuse, or neglect will not qualify for warranty reimbursement.

## Claim Form Guidelines

### Claims Must Have

1. Product identification number (PIN) or serial number. All characters of the PIN must be used on the warranty claim.
  - Claims for parts warranty must use the word "PARTS" for the PIN. An invoice that shows date of sale or date of installation must be supplied for all parts claims.
2. Model Number
3. Date of failure – Claims must be submitted within 30 days or repair.
4. Date of repair
5. Warranty start date. Date the unit warranty starts or date the parts were sold for parts warranty.
6. Description of the problem. Describe all problems pertinent to the claim.  
Comments should be as precise as possible, attach a separate sheet if necessary, to describe the problem.
7. Description of the work performed. List each significant action of the repair.
8. Itemize labor. Provide a breakdown of labor for each significant repair action in the "Describe Work Performed" column.
9. Shop order numbers. The shop order number field is used for recording your shop work order number that is related to the claim. The shop order number field can also be used to record the parts invoice number when claiming a parts warranty.
10. Customer information. Customer information includes the customer name, city, state, county, and postal code. It must match the warranty registration.
11. Warranty claim total. The total of all reimbursement costs requested.
12. Dealer signature and date. All claims must be signed and dated by the distributor to be validated.

## SAFETY FIRST

Accidents can be prevented by recognizing the causes or hazards before an accident occurs...and then doing something about it.

Regardless of the care in the design and construction of the equipment, there are some areas that cannot be completely safe guarded without interfering with accessibility and efficient operation.

THIS MESSAGE ALERT SYMBOL, IDENTIFIES IMPORTANT SAFETY MEASURES IN THIS MANUAL. WHEN YOU SEE THIS SYMBOL, BE ALERT TO THE POSSIBILITY OF PERSONAL INJURY AND CAREFULLY READ THE MESSAGE THAT FOLLOWS.

In this manual and on labels on this machine, the words “DANGER”, “WARNING”, “CAUTION”, “IMPORTANT”, and “NOTE” are used to indicate the following:

DANGER indicates the most serious and immediate hazards with the highest potential for injury.

WARNING indicates serious hazards.

CAUTION indicates practices to be followed or to be avoided to prevent injury.

IMPORTANT and NOTE are used for informational purposes in areas which may involve damage or deterioration to equipment, but generally would not involve potential for personal injury.

WARNING: When mixing and applying herbicides, chemicals, or fertilizer observe all Federal and State EPA regulations regarding application, licensing and waste disposal. Safety instructions furnished by chemicals manufacturers must be followed exactly to prevent serious harm to the individual and environment. Always wear protective clothing, goggles and respirators when handling chemicals.

CAUTION: Fertilizer is very corrosive and will oxidize steel over a period of time. This weakens steel parts and can cause failure to perform as intended and can cause possible safety hazards. Periodically check all Safety shields and structural members for corrosion. Replace or repair anything that could cause a potential safety hazard.

## SAFETY INSTRUCTIONS

**WARNING:** Observe the IMPORTANT SAFETY INSTRUCTIONS listed below at all times. **THE BEST KIND OF SAFETY DEVICE IS A CAREFUL OPERATOR.**

1. DO NOT ALLOW ANYONE TO OPERATE YOUR UNIT UNLESS THEY HAVE READ THIS MANUAL AND ARE COMPLETELY FAMILIAR WITH ALL SAFETY AND OPERATING PROCEDURES.
2. Always park the spreader on a level surface, and shut off the towing vehicle and lock the brakes before making adjustments or repairs.
3. Never allow anyone to climb upon or stand on the fertilizer spreader while it is operating.
4. Do not allow children, irresponsible persons, persons under the influence of alcohol, medications, or other drugs that can impair judgment or cause drowsiness, or persons unfamiliar with equipment and safe operating procedures to operate this equipment.
5. People who are allergic to fertilizer (or any other chemicals being used) must never be allowed near the fertilizer applicator.
6. Keep all shields in place.
7. Make sure everyone is clear of equipment before starting operation.
8. Keep all unauthorized people away from the fertilizer spreader while in operation.
9. If any safety devices are not functioning properly, do not use the fertilizer spreader. Remove it from service until it has properly repaired by a qualified service technician.
10. Do not replace components or parts with other than genuine AG Systems, Inc. factory service parts. To do so may reduce the effectiveness of safety features or decrease the accuracy of the unit.
11. Material is discharged off the spinning distributors on the rear of the fertilizer spreader at a high velocity which could inflict injury and/ or pain. Make sure none of this material is directed at humans or animals.



## **OPERATING AND SERVICE INSTRUCTIONS**

### **UPON RECEIVING YOUR NEW AGX10, AG800, AG600, AG500, AG400**

When you receive your new spreader be sure that all shipping fasteners are removed prior to operation. Check machine thoroughly for screws, bolts, fittings, etc., which may have come loose during shipping. Check wheel lug nuts for tightness before using machine.

### **HITCHING**

The spreader should always be hooked up so the tongue is level when loaded. The PTO shaft should be approximately one-half extended when the spreader is attached to the tractor. Use a swinging draw bar or plate to accomplish this.

### **SIZE OF LOAD**

We do not recommend loads over the rating for your machine 8-ton, 6-ton, 5-ton even though the spreaders will hold more than that of certain fertilizer analysis. It is **NOT** recommended to use this machine to spread Ag lime products.

### **FORWARD SPEED**

Variation in forward speed will not affect the rate of application as the conveyor is ground driven. When spreading at rates over 600 pounds per acre do not exceed 8 mph.

**CAUTION -- Do not exceed speeds over 20 mph on the highway.  
Do not back-up unless the drive wheel is disengaged.**

### **GATE SETTING**

The marker for the gate is designed so that when the gate reading is 2 inches, the gate is 2 inches from the floor. These settings hold true throughout the gate settings. Each setting can be measured from the floor. To set the gate, look on the rate decal under the cubic foot weights on the top of the decal, then read gate opening in inches. Set the gate accordingly.

## **SPREAD PATTERN – ADJUSTMENT – SINGLE DISTRIBUTION UNITS**

### **CHUTE AND BLADE ADJUSTMENTS**

The rear chute and fan blades on AG Systems spreaders have been designed to be adjustable in order to yield accurate spread pattern with virtually all fertilizer used in agriculture today and the differences inherent in these products. It is **EXTREMELY IMPORTANT** to test the accuracy of the spread pattern of your spreader using the same fertilizer you intend to spread.

Adjustments of the rear chute and/or the distributor blades is frequently required. Refer to the spread pattern section of the manual for specific spread pattern testing instructions. Single distributor chute settings are shown on page 32. Dual distributor chute settings are shown on page 36.

### **ADJUSTMENTS OF THE BALANCE AND PATTERN**

If the results of the spread pattern test indicate an unequal balance, movement of the chute forward will increase the amount of product spread to the left while rearward movement will increase the amount of product spread to the right. (Adjustments of 1/8" and less will have a significant effect on the balance of the pattern.)

The factory setting of the distributor blades is five blades on the third hole back and one blade on the second hole back, measured from blade being advanced to maximum. Adjusting the distributor blades toward the most advanced position will tend to move the material to the right side of the pattern. They may be adjusted at the same time.

Excellent spread patterns can be achieved when the above procedures have been followed. Should you still have problems adjusting your spread patterns contact your AG Systems, Inc. distributor or AG Systems, Inc. service department.

Single Distributor Units:

Standard Rate Decal – Part No. 30906 -- Metric – Part No. 32530

Special Low Rate Decal – Part No. 309067

Dual Distributor Units:

Standard Rate Decal – Part No. 30853 – Metric Part No. 32529

Special Low Rate Decal – Part No. 30854

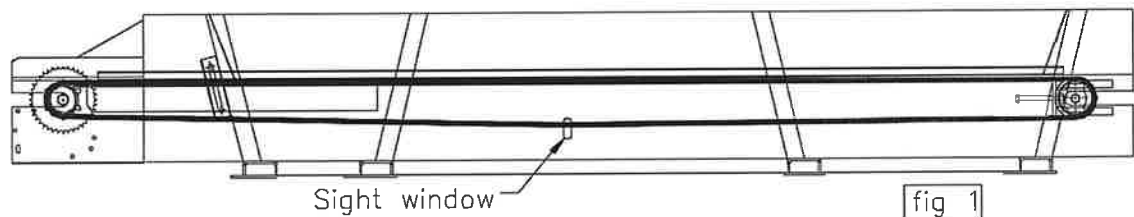
The dual distributors are set to spread a 40 foot pattern. The distributors should be run @ 750 rpm.

## CALIBRATION

To check the accuracy of the gate settings, turn the conveyor drive wheel (small wheel on the left rear end of machine) 28 ½ turns on machines with single distributors, catching and weighing the fertilizer that comes off the conveyor. Twenty eight and one-half turns equals 1/10 of an acre. For machines with dual distributors, 35 turns equals 1/10 of an acre. For instance – if you have accumulated 11 pound of fertilizer, multiply this by 10 and you will know that you are spreading at the rate of 110 pounds per acre (11 lbs. x 10 = 110 lbs.)

NOTE: The two most frequent contributors to calibration error are

1. Weight per cubic foot of material not known (all materials and blends should be weighed).
2. Width of pattern not driven consistently.



## CONVEYOR BELT:

Be sure that the heavy duty stainless steel conveyor belt has the proper tension at all times. After use, the conveyor belt will sag. Keep it between 1" and 3" at the center of the conveyor belt, in view thru the sight windows (see fig 1) on the side of the conveyor tunnel for proper operation. Do not allow excess sag to continue for operation. Conveyor belt is tightened by loosening the locknut on the take up (in front of machine) and turning nut clockwise, thereby tightening conveyor belt. If the conveyor belt is stretched out and you run out of thread on the take up bolt back off the locknuts so the belt is as loose as possible. Then find the splice link on the belt and remove one set of links from the belt. Reassemble and tighten the belt as indicated above.

### **NOTE -- BE SURE TO TIGHTEN BOTH SIDES EVENLY**

When transporting the spreader the fertilizer can pack very tightly in and around the conveyor belt chain. Loosen the conveyor belt before engaging the drive wheel by manually rotating the drive wheel to make sure it will operate freely.

**IF DURING FIELD OPERATION** the conveyor is not running smoothly the drive wheel may be slipping. Increase the spring tension by adjusting the chain attached to the tension spring. This is more easily done when the drive tire is in engagement with the ground tire and the tongue is near the ground. For easier adjustment of the spring the drive tire could be removed from the shaft and the drive frame tripped into the engaged position. Adjust the spring chain as desired the put the drive frame in transport position and reassemble the drive tire.

## **DAILY CARE OF MACHINE**

### **1. WHEEL LUG NUTS:**

Check wheel lug nuts daily for tightness.

### **2. SAFETY SHIELDS:**

Make sure that all safety shields are properly in place, pto, belts, shields, etc.

### **3. PTO SHAFT CARE:**

Lubricate the P.T.O. shaft before use. Clean and lubricate the inner shaft at least twice a day. Grease the u-joints daily. Do not over grease the u-joints.

CAUTION – Check pto shaft shields. If shields are damaged, replace at once. Do not operate with damaged pto shields.

### **4. METERING GATE SLIDES:**

Keep metering gate slides clean at all times. Always close the metering gate before loading the spreader.

### **5. BUILD-UP OF MATERIAL ON CHUTES:**

Keep the chute free from build-up so that the fertilizer will fall correctly onto the distributor blades. Always clean the top of the chute thoroughly. If build-up occurs on the top of the chute, a streak will be left under the spreader while spreading.

### **6. BUILD-UP OF MATERIAL ON CONVEYOR BED:**

CAUTION – Be sure to inspect conveyor bed daily for build-up of excess fertilizer material under conveyor belt. Excessive build-up first appears on the skid plate between the rear roller and the gate. This condition can most easily be noted by sighting through the gate opening.

Hosing the machine out with water after each day's run will eliminate build-up if done before the material has hardened. However, if build-up has already occurred, remove the conveyor belt and scrape the floor clean.

### **7. OVERNIGHT STORAGE**

Avoid overnight storage of material in machine in order to prevent excessive compaction. In the event the spreader does stand overnight, or is subjected to rain or high humidity with a small amount of material on the floor, move the conveyor

belt in the proper direction by turning small drive wheel manually to insure free movement prior to actual operation.

**ALL UNITS SHOULD BE WASHED DAILY.**  
DO NOT USE A PRESSURE WASHER AS YOU WILL FORCE FERTILIZER INTO THE BEARINGS.

**WEEKLY CARE**

**1. LUBRICATION:**

Grease all points every 75 hours of operation with the exception of the conveyor belt bearings, which should be greased every 200 hours, and the pto shaft which, mentioned earlier, should be greased daily.

CAUTION – Do not over-grease sealed bearings. Over-greasing will break the seal, thus allowing fertilizer to work into the bearing, eventually causing it to fail. Use only ONE pump of the grease gun per greasing. NEVER USE AN AIR GREASE GUN!

**2. V BELT MAINTENANCE:**

Check and adjust after first two hours of operation, and weekly thereafter, to ensure proper operation and even spreading of material.

**3. TIRE MAINTENANCE:**

Be sure that tires are properly inflated at all times. Recommended tire pressures are as follows:

<u>Tire Size</u>	<u>Tire press PSI</u> (max 30 mph)	<u>Load Capacity</u>
4.10/3.50 x 6 -----	35# psi	NA
12.5 x 15 10 ply-----	44#psi	3420 lbs
12.5 x 16 12 ply-----	52#psi	3860 lbs
14L x16.1 8 ply-----	32#psi	3820 lbs
16.5 x 16.1 8 ply-----	28#psi	4400 lbs
19L x 16.1 10 ply-----	32#psi	6000 lbs
11 x 22.5 Nylon Transport-----	65#psi	4206 lbs
11 x 22.5 Nylon Transport-----	70#psi	4530 lbs
11 x 22.5 Nylon Transport-----	80#psi	4990 lbs
11 x 22.5 Nylon Transport-----	90#psi max	5510 lbs
Used 385/65R x 225 J -----	45#psi	4100 lbs
	55#psi	5013 lbs
Used 425/65R x 225 L -----	45#psi	4880 lbs
	55#psi	5965 lbs

Also see Wheel and Rim Torque Requirements page of this owner’s manual for lug nut torque recommendations, tightening procedures, and checking information.

## **CARE BETWEEN SEASONS**

### **1. DISTRIBUTOR GEARBOXES:**

Gearboxes should be checked for oil level BEFORE and AFTER each busy season. If low, refill with #90 gear lube to the level plug located on the side of the gearbox. (half full)

### **2. WHEEL BEARING MAINTENANCE:**

Remove, clean and inspect all wheel bearings after each busy season, or at least twice a year. Replace any worn bearings and repack with wheel bearing grease and adjust for proper tension. Never let a machine set for any period of time with old grease in the bearings.

### **3. FAN BLADE MAINTENANCE:**

Check fan blades, straighten or replace when needed. Also be sure to keep fan blades free from material build-up, otherwise the quality of the spread will be affected. Keep them clean.

### **4. SPREADER STORAGE:**

Always store the spreader with the tarp removed. Otherwise, moisture may be confined within the box, causing undue rust.

## SPREAD PATTERN TESTING

### 1. EQUIPMENT REQUIRED:

Spread Pattern Test Kit No. 5323 includes –

- |  |                    |
|--|--------------------|
| ■ Scale                                | ■ 11 Boxes         |
| ■ Instructions for Spread Pattern Test | ■ Funnel           |
| ■ Width Marker for Setting Boxes       | ■ 4 Flags          |
| ■ 100 Spread Pattern Test Charts       | ■ 11 Tubes in Rack |

### 2. PROCEDURE TO SET MACHINE AND COURSE:

Select site – Flat level ground preferably, 900 feet long and wide enough for two passes at selected patten width.

Clean spreader – chip fertilizer from rear conveyer floor, gate, chute area and distributor blades.

Check distributor shaft centers (dual distributor) from center of chute. The proper dimension is 10 1/8”.

Check for bent or worn blades, blade settings and curved deflectors.

Check belts and chain tension front and rear.

Check gate opening in closed position. There should be 1 1/2” from bottom of gate to floor.

Check material weight per cubic foot using scale.

Select rate per acre and set gate to correct setting.

Use tractor or other prime mover with wide front wheel spread (to clear boxes) – hoop up spreader with spreader as level as possible.

Check distributor rpm with tachometer per manual. Note tractor with pto to be run at 540 rpm.

(c) Hydraulic drive set for 740-750 distributor rpm per manual.

(d) Truck spreader or hydraulic drive requires at least 1,700 engine rpm. Spread material for 450' before passing boxes.

Drive 450' beyond boxes with spreader operating, turn right or left at flag and around opposite flag and line up with center of box 1 or 11 and continue to pass for 450' past boxes to original starting line.

Depending on rate per acre, one or more complete passes may be run to obtain at least 1" of material in test tubes. (At 100# per acre at least two complete passes are required to obtain a measurable quantity of material in the tubes).

Starting with box 1 pour contents into test tube #1 using funnel and continue through box 11.

Record tube level in inches or other units on data sheet for boxes 1 through 11 and complete data sheet information.

Pattern on graph should be level within plus or minus 10%.

If the graph is not acceptable, readjust machine per manual.

#### GENERAL NOTE –

(a) Spread at accurate widths, failure to do so will cause poor spread patterns resulting in field streaking and failure to meet a rate per acre application.

(b) ASAE and TFI recommends a spreader capacity calculation based on a standard material density of 65# per cubic foot.

(c) It is necessary to confirm actual material density (pounds per cubic foot) in order to be assured of correct rate per acre.



Lay out course and set boxes per “Spread Pattern Test” procedure (with direction of travel in to and away from wind).

- (a) Find wind direction (do not spread if wind velocity is over 5 mph).
- (b) Using width marker set boxes at 90 degrees (within 15 degrees) to wind direction, if possible, at spacings required per data sheet.  
NOTE – for all spread widths, box 1 and 2 and 10 and 11 are spaced at 72” (6’ 0”) center to center of box for wheel clearance, and boxes 2 through 10 are spaced per “x” dimension on data sheet using marker. Allow 450” of spreader travel on each side (forward and aft) of boxes.
- (c) Set four flags, two in line with box 2 and two in line with box 10, 450’ from center line of boxes per data sheet.

Material used for spread pattern should be sized and enough in the hopper to assure a full amount at the gate at test completion. EXAMPLE – 450’ before boxes and 450’ after boxes plus 40’ between boxes plus 900’ (second pass) = 1,840 lineal feet of spreader travel x 40’ spread width = 73,600 square feet divided by 43,560 square feet per acre = 1.69 acres x 300# per acre = 507# of material used for one complete test.

### **3. PROCEDURE – spread pattern test:**

Drive prime mover off course at least 450’ with conveyor drive disengaged to settle spreader contents. Turn conveyor drive to bring material to rear roller.

Drive towards center of box 1 or 11, for right hand or left hand pattern, with conveyor drive engaged and distributors turning at correct rpm, at 5 mph.

- (a) Tractor tachometer at 540 rpm (gives 740 distributor rpm).
- (b) Power pack set for 740-750 distributor rpm; engine governor controls rpm (output shaft speed is 540 rpm).
- (c)

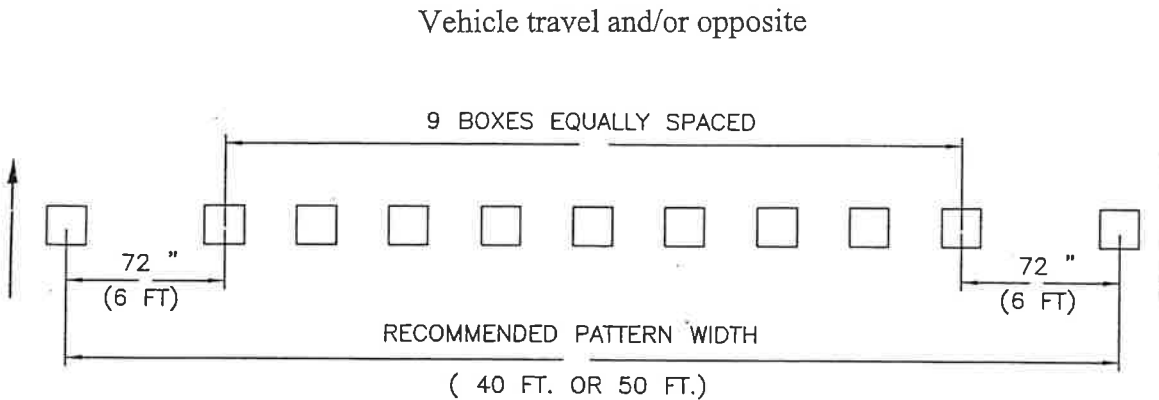
### **FIELD DEMONSTRATION SPREAD PATTERN TEST PROCEDURE**

#### **Check List**

- (a) Power source – tractor with wide front and pto shaft.
- (b) Set tractor tachometer at 540 pto speed.
- (d) Ground speed for testing trailer spreader unit, 5 mph, spreader trucks, 8 mph.
- (e) Always know the exact weight per cubic foot of the material to be spread (recommended seedburrow-type scale).

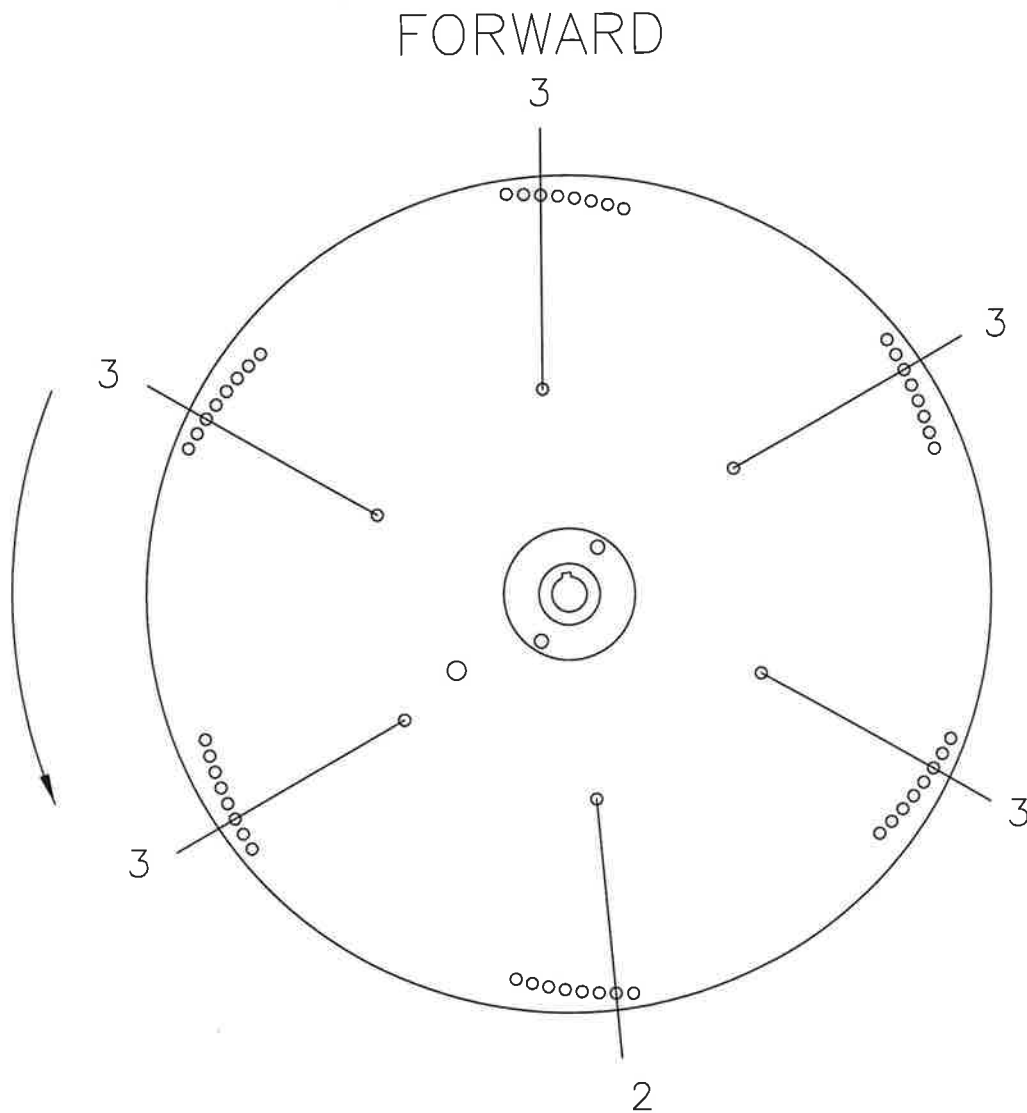
## Spread Pattern Test – Overlap Pass

Set boxes in a straight line on smooth, level ground, per graph below:



### Recommended pattern width

- (a) Set boxes so test can be run driving directly into the wind.
- (b) Drive over boxes as shown. (right hand overlap pattern shown – left hand opposite).
- (c) For low rates per acre, run at least two passes.
- (d) Ideal pattern would be a pattern that has an equal amount of fertilizer in each tube.

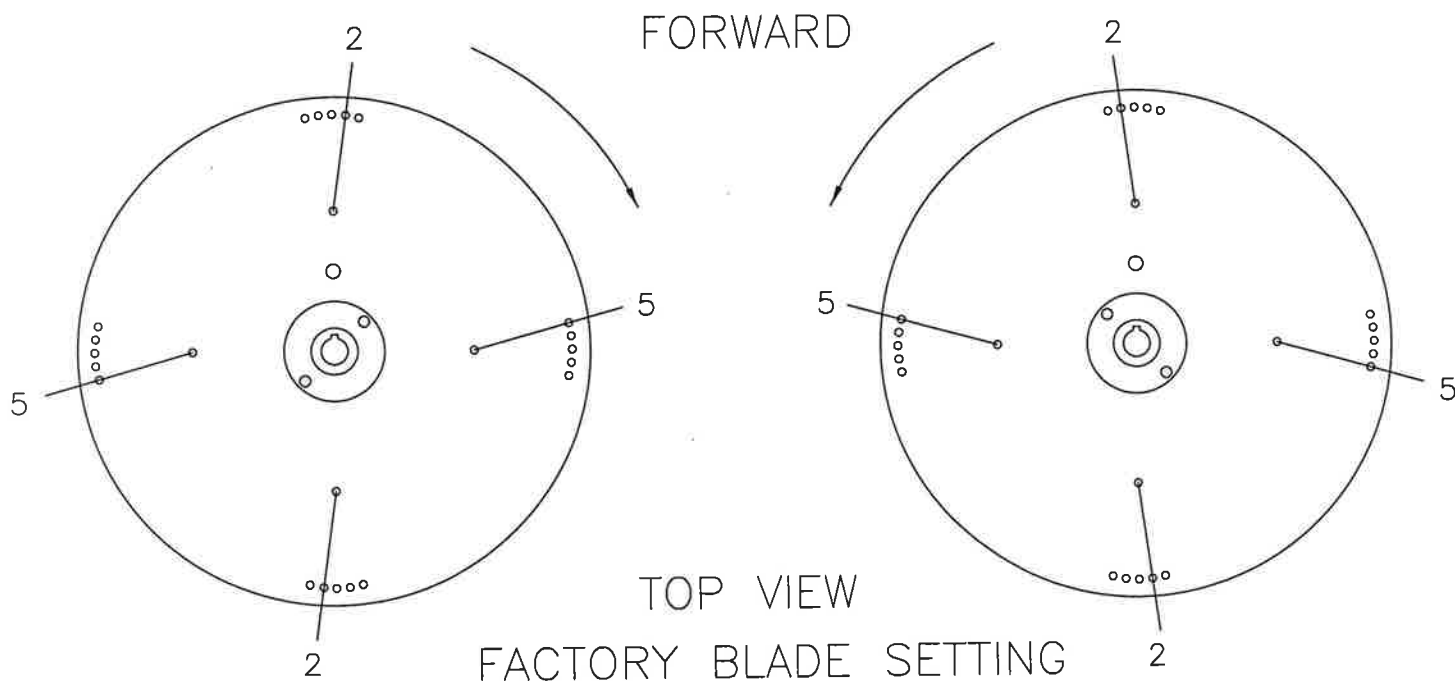


TOP VIEW

FACTORY BLADE SETTING

### SINGLE DISTRIBUTER SPREADERS

This factory blade setting is five (5) blades on the 3rd hole back from the rotation of the distributor, and one (1) on the 2nd hole back. Adjusting the blades toward the rotation of the distributor will tend to move the material around to the right hand side of the pattern. Adjusting the blades back from the rotation (opposite) will tend to move the material around to the left hand side of the pattern.



## DUAL DISTRIBUTOR SPREADERS

The distributor blades are "factory set" as outlined above, at the 5th and the 2nd holes. However, we recommend that you "spread pattern check" your unit as described elsewhere in the manual.

By moving the blades forward (toward the rotation of the distributors) the material will be moved farther out into the outside ranges of the pattern. By moving the blades backward (opposite the rotation of the distributors) the material will be moved back into the middle range of the pattern.

Normally most fertilizers can be effectively spread at the recommended pattern width. However, in some instances, a narrower width may be advisable.

Urea may be one of the products where a narrower spread pattern may be advised due to the characteristics of the product (light weight, small pellets etc.).

Spread pattern testing the unit will determine the most effective width. This may be in the area of 30 to 36 feet. It may be necessary to make blade adjustment for best results.

## HOW TO DETERMINE WEIGHT PER CUBIC FOOT OF MATERIAL:

1. Weigh an empty one gallon container. Use a gallon oil can or anti-freeze can with the top removed;
2. Fill the container level full with desire material;
3. Weigh container with material; subtract weight of container from gross weight;
4. Multiply this weight by 7.5 (7.5 gallons equals 1 cubic foot).  
This will give you the correct pounds per cubic foot.

**EXAMPLE** – Typical material = phosphate; weight of one gallon container = 2 lbs.

Gross weight of container and materials = 9.95 lbs.  
Deduct container weight 2.0 lbs. = 7.95 lbs.

Material weight without container =  $7.95 \times 7.5 = 59.62$  lbs. per cubic foot (round off to 60 lbs.)

### For Canada Using Liters:

- a. Weight of an empty 4 liter container  
(Use a 4 liter oil can or anti-freeze can with top removed.)
- b. Fill container level with desired material.
- c. Weigh container with material. Subtract weight of container from gross weight.
- d. Multiply this weight by 7.08 (28.3 liters equals 1 cubic foot).  
This yields the correct pounds per cubic foot.

### DECALS:

- |                                      |                                 |
|--------------------------------------|---------------------------------|
| #10163 Operating Instructions Decals | #30481 Wheel Nut Decal          |
| #10346 PTO Decal                     | #31868 Do Not Back Up Decal     |
| (2) #12181 Caution – Guards          | #31894 Caution Decal            |
| #10554 Caution Decal                 | #37578 PTO RPM                  |
| #12182 Safety Alert Decal            | (4) #699107 Ag Systems Decal    |
| #12429 Caution Decal                 | (2)AG500,AG600,AG800 Cap. Decal |
| #30906C 50 ft Spread Pattern         | #5971 540-1000 RPM              |

### RATE CHART DECALS

30854A, 30853C, 30907A, 30906C  
(see page 29) for decals

# RATE DECAL - STANDARD 40 FOOT PATTERN FERTILIZER

Gate Opening	MATERIAL WEIGHT PER CUBIC FOOT															
	45	50	52	54	56	58	60	62	64	66	68	70	72	74	76	78
1 1/2	81	90	94	97	101	104	108	112	115	119	122	126	130	133	137	
2	110	122	127	132	137	142	147	152	156	161	166	171	176	181	186	
2 1/2	141	157	163	169	175	182	188	194	201	207	213	219	226	232	238	
3	170	189	196	204	212	219	227	234	242	249	257	264	272	280	287	
3 1/2	203	226	235	244	253	262	271	280	289	298	307	316	325	334	343	
4	231	257	267	277	287	298	308	318	329	339	349	359	370	380	390	
4 1/2	440	489	508	528	548	567	587	606	626	645	665	684	704	724	743	
	262	291	303	314	325	338	349	361	373	384	396	408	419	431	442	
	499	554	577	599	621	643	665	688	710	732	754	776	798	821	843	
5	292	324	337	350	363	376	389	402	415	428	441	454	467	480	493	
	555	617	641	666	691	715	740	765	789	814	839	863	888	913	937	
5 1/2	321	357	371	385	399	414	428	442	457	471	485	499	514	528	542	
	612	680	707	734	762	789	816	843	870	898	925	952	979	1005	1034	
6	353	392	408	424	439	455	471	486	502	518	533	549	565	580	596	
	671	746	775	805	835	865	895	925	954	984	1014	1044	1074	1103	1133	
6 1/2	383	426	443	460	477	494	511	528	545	562	579	596	613	630	647	
	731	812	845	877	910	942	975	1007	1040	1072	1105	1137	1170	1202	1235	
7	412	458	476	494	513	531	549	568	586	604	623	641	659	677	696	
	785	872	907	942	977	1012	1047	1082	1116	1151	1186	1221	1256	1291	1326	

LOW RANGE — Using 15 tooth to 96 tooth sprockets — For rate per acre use top number in box  
 HIGH RANGE — Using 25 tooth to 84 tooth sprockets — For rate per acre use bottom number in box

30853C

12/95

TYLER LIMITED PARTNERSHIP — BENSON, MN 56215

TCI P/N 30853

# RATE DECAL - STANDARD 50 FOOT PATTERN FERTILIZER

Gate Opening	MATERIAL WEIGHT PER CUBIC FOOT														
	45	50	52	54	56	58	60	62	64	66	68	70	72	74	76
1 1/2	65	72	75	78	81	84	87	90	92	95	98	101	104	107	110
	88	98	102	106	110	113	117	121	125	129	133	137	141	145	149
2 1/2	113	126	131	136	141	146	151	156	161	166	171	176	181	186	191
	136	151	157	163	169	175	181	187	193	199	206	212	218	224	230
3 1/2	162	180	187	194	202	209	216	223	230	238	245	252	259	266	274
	185	206	214	222	230	238	247	255	263	271	280	288	296	304	312
4	352	391	407	422	438	454	469	485	501	516	532	548	563	579	594
	210	233	243	252	261	271	280	289	299	308	317	327	336	345	355
4 1/2	399	443	461	479	497	514	532	550	567	585	603	621	638	656	674
	233	259	269	280	290	300	311	321	331	342	352	362	373	383	394
5	444	493	513	533	553	572	592	612	631	651	671	691	710	730	750
	257	286	297	308	320	331	343	354	366	377	388	400	411	423	434
5 1/2	490	544	566	588	610	632	653	675	697	719	740	762	784	806	828
	282	313	326	338	351	363	376	389	401	414	426	439	451	464	476
6	537	597	621	644	668	692	716	740	764	788	811	835	859	883	907
	307	341	355	368	382	396	409	423	437	450	464	478	491	505	518
6 1/2	585	650	676	702	728	754	780	806	832	858	884	910	936	962	988
	329	366	380	395	409	424	439	453	468	483	497	512	526	541	556
7	628	698	726	754	781	809	837	865	893	921	949	977	1005	1033	1061

LOW RANGE — Using 15 tooth to 96 tooth sprockets — For rate per acre use top number in box  
 HIGH RANGE — Using 25 tooth to 84 tooth sprockets — For rate per acre use bottom number in box

# RATE DECAL - STANDARD      12.19 Meter Pattern (40 Foot)      FERTILIZER

Gate Opening	MATERIAL WEIGHT — PER CUBIC DECIMETER (KILO/1000 CM <sup>3</sup> )																			
	.721	.801	.833	.865	.897	.929	.961	.993	1.025	1.057	1.089	1.121	1.153	1.185	1.217					
1 1/2	91	101	105	109	113	117	121	125	129	133	138	142	146	150	154					
	173	192	200	208	215	223	231	238	246	254	261	269	277	284	292					
2	123	137	142	148	153	159	164	169	175	180	186	191	197	202	208					
	235	261	272	282	292	303	313	324	334	345	355	366	376	386	397					
2 1/2	158	176	183	190	197	204	211	218	225	232	239	246	253	260	267					
	303	337	350	364	377	391	404	417	431	444	458	471	485	498	512					
3	191	212	221	229	238	246	255	263	272	280	289	297	306	314	323					
	363	403	419	436	452	468	484	500	516	532	549	565	581	597	613					
3 1/2	228	253	263	274	284	294	304	314	324	334	345	354	365	375	385					
	432	480	499	518	538	557	576	595	614	634	653	672	691	710	730					
4	259	288	299	311	322	334	345	357	368	380	391	403	414	426	437					
	493	548	570	592	613	635	657	679	701	723	745	767	789	811	833					
4 1/2	294	327	340	353	366	379	392	405	418	431	444	457	470	483	497					
	559	621	646	671	696	720	745	770	795	820	845	870	894	919	944					
5	327	363	378	392	407	421	436	451	465	480	494	509	523	538	552					
	622	691	719	746	774	802	829	857	885	912	940	968	995	1023	1050					
5 1/2	360	400	416	432	448	464	480	496	512	528	544	560	576	592	608					
	686	762	793	823	854	884	915	945	976	1006	1037	1067	1098	1128	1159					
6	396	440	458	475	493	510	528	546	563	581	598	616	634	651	669					
	752	836	869	902	936	969	1003	1036	1069	1103	1136	1170	1203	1237	1270					
6 1/2	429	477	496	515	534	553	572	591	610	629	648	667	686	705	725					
	819	910	946	983	1019	1055	1092	1128	1165	1201	1238	1274	1310	1347	1383					
7	462	513	534	554	575	595	616	637	657	678	698	719	739	760	780					
	520	578	607	636	665	694	723	752	781	810	839	868	897	926	955					

LOW RANGE — Using 15 tooth to 96 tooth sprockets — For kilograms per hectare use top number in box  
 HIGH RANGE — Using 25 tooth to 84 tooth sprockets — For kilograms per hectare use bottom number in box



# RATE DECAL - STANDARD      15.24 Meter Pattern (50 Foot)      FERTILIZER

Gate Opening	MATERIAL WEIGHT — PER CUBIC DECIMETER (KILO/1000 CM <sup>3</sup> )																
	.721	.801	.833	.865	.897	.929	.961	.993	1.025	1.057	1.089	1.121	1.153	1.185	1.217		
1 1/2	73	81	84	88	91	94	97	101	104	107	110	114	117	120	123		
2	99	110	114	119	123	128	132	136	141	145	150	154	158	163	167		
2 1/2	127	141	147	152	158	164	169	175	181	186	192	198	203	209	214		
3	152	169	176	182	189	196	203	209	216	223	230	236	243	250	257		
3 1/2	182	202	210	218	226	235	243	251	259	267	275	283	291	299	307		
4	207	230	239	248	258	267	276	285	294	304	313	322	331	340	350		
4 1/2	235	261	272	282	292	303	313	324	334	345	355	366	376	386	397		
5	261	290	302	313	325	336	348	360	371	383	395	406	418	429	441		
5 1/2	288	320	333	346	358	371	384	397	410	422	435	448	461	474	486		
6	316	351	365	379	393	407	421	435	449	463	478	492	506	520	534		
6 1/2	344	382	398	413	428	443	459	474	489	505	520	535	550	566	581		
7	369	410	426	443	459	476	492	508	525	541	558	574	590	607	623		
	704	782	814	845	876	907	939	970	1001	1033	1064	1095	1126	1158	1189		

LOW RANGE — Using 15 tooth to 96 tooth sprockets — For kilograms per hectare use top number in box  
 HIGH RANGE — Using 25 tooth to 84 tooth sprockets — For kilograms per hectare use bottom number in box

7/82

TYLER LIMITED PARTNERSHIP — BENSON, MN 56215

32530A

**RATE DECAL - LOW**

**40 FOOT PATTERN**

**FERTILIZER**

Gate Opening	MATERIAL WEIGHT PER CUBIC FOOT															
	45	50	52	54	56	58	60	62	64	66	68	70	72	74	76	78
1 1/2	49	54	57	59	61	63	65	68	70	72	74	76	78	81	83	
2	92	102	106	110	114	119	123	127	131	135	139	143	147	151	155	
2 1/2	66	73	76	79	82	85	88	91	94	97	100	103	106	109	111	
3	126	140	146	151	157	162	168	174	179	185	190	196	202	207	213	
3 1/2	85	94	98	102	106	110	113	117	121	125	128	132	136	140	144	
4	162	180	187	194	202	209	216	223	230	238	245	252	259	266	274	
4 1/2	102	113	118	122	127	131	136	141	145	150	154	159	163	168	172	
5	194	216	224	233	241	250	259	267	276	285	293	302	310	319	328	
5 1/2	122	136	141	146	152	157	163	168	174	179	184	190	195	201	206	
6	231	257	267	277	287	298	308	318	329	339	349	359	370	380	390	
6 1/2	139	154	161	167	173	179	185	192	198	204	210	216	222	229	235	
7	264	293	305	317	329	340	352	364	375	387	399	411	422	434	446	
	157	174	181	188	195	202	209	216	223	230	237	244	251	258	265	
	299	332	346	359	372	385	399	412	425	439	452	465	478	492	505	
	175	194	202	210	218	226	233	241	249	257	264	272	280	288	296	
	333	370	385	400	414	429	444	459	474	488	503	518	533	548	562	
	193	214	223	232	241	249	257	266	274	283	292	300	309	317	326	
	367	408	424	440	457	473	489	506	522	538	555	571	587	603	620	
	212	236	245	254	264	273	283	292	302	311	320	330	339	349	358	
	403	448	466	484	501	519	537	555	573	591	609	627	645	663	681	
	230	256	266	276	286	296	307	317	327	337	348	358	368	378	388	
	439	488	507	527	546	566	585	605	624	644	663	683	702	722	741	
	247	274	285	296	307	318	329	340	351	362	373	384	395	406	417	
	471	523	544	565	586	607	628	649	670	691	712	733	754	775	795	

LOW RANGE — Using 15 tooth to 96 tooth sprockets — For rate per acre use top number in box  
 HIGH RANGE — Using 25 tooth to 84 tooth sprockets — For rate per acre use bottom number in box

30854A

7/82

TYLER LIMITED PARTNERSHIP — BENSON, MN 56215

TCL P/N 30854A

24

# RATE DECAL - LOW

# 50 FOOT PATTERN

# FERTILIZER

Gate Opening	MATERIAL WEIGHT PER CUBIC FOOT															
	45	50	52	54	56	58	60	62	64	66	68	70	72	74	76	
1 1/2	39	43	45	47	49	50	52	54	55	57	59	61	62	64	66	
	74	82	86	89	92	95	99	102	105	109	112	115	118	122	125	
2	53	59	61	64	66	68	71	73	75	78	80	82	85	87	90	
	101	112	117	121	126	130	135	139	144	148	153	157	162	166	171	
2 1/2	68	76	79	82	85	88	91	94	97	100	103	106	109	112	115	
	130	144	150	156	162	168	173	179	185	191	196	202	208	214	220	
3	82	91	95	98	102	106	109	113	117	120	124	128	131	135	138	
	155	172	179	186	193	200	207	214	220	227	234	241	248	255	262	
3 1/2	97	108	112	116	121	125	129	134	138	142	147	151	155	160	164	
	185	206	214	222	230	238	247	255	263	271	280	288	296	304	312	
4	111	123	128	133	138	143	148	153	158	163	168	173	178	183	187	
	211	234	244	253	263	272	281	291	300	309	319	328	338	347	356	
4 1/2	126	140	146	151	157	162	168	174	179	185	190	196	202	207	213	
	239	266	276	287	297	308	319	329	340	351	361	372	382	393	404	
5	140	156	162	168	174	180	187	193	199	205	212	218	224	230	236	
	266	296	307	319	331	343	355	366	378	390	402	414	426	437	449	
5 1/2	154	171	178	185	192	198	205	212	219	226	233	240	246	253	260	
	294	327	340	353	366	379	392	405	418	431	444	457	470	483	497	
6	169	188	195	203	210	218	225	233	240	248	255	263	270	278	286	
	322	358	372	386	401	415	429	444	458	472	487	501	515	529	544	
6 1/2	184	204	213	221	229	237	245	254	262	270	278	286	294	303	311	
	351	390	406	421	437	452	468	484	499	515	530	546	562	577	593	
7	197	219	228	236	245	254	263	271	280	289	298	306	315	324	333	
	377	419	436	452	469	486	503	519	536	553	570	586	603	620	637	

LOW RANGE — Using 15 tooth to 96 tooth sprockets — For rate per acre use top number in box  
 HIGH RANGE — Using 25 tooth to 84 tooth sprockets — For rate per acre use bottom number in box

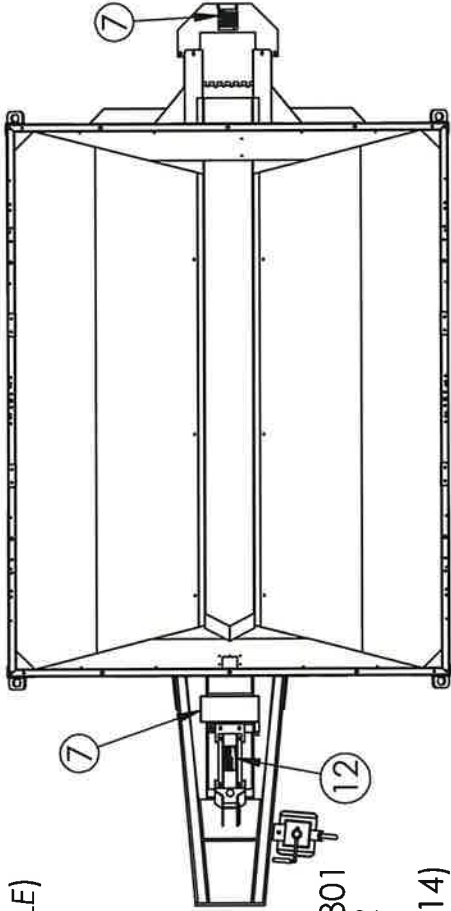
**TYLER DIV., TCI, INC. BENSON, MN. 56215**

7/82

TCI P/N 30907A

# DECAL LOCATIONS AND REFLECTIVE TAPE

(AG800 SHOWN FOR EXAMPLE)



REFLECTIVE TAPE  
KIT P.N.#20-4  
24' TOTAL

DECAL PACKAGE P/N:48030801  
(SEE FOLLOWING PAGES FOR  
DECAL DESCRIPTION)  
(KIT CONTAINS ITEMS 2-3 & 5-14)

ITEM #	PART #	QTY
1 (800)	71602/71601	1 EA
(600)	71599/71598	
(500)	71597/71596	
(400)	71595/71594	
(X-10)	71604/71603	
2	10346B	1
3	699107L	4
4	54135	2
5	10163A	1
6	31894A	1
7	12181A	2
8	12429A	1
9	30481B	1
10	37578	1
11	12182B	1
12	10554A	1
13	31868A	1
14	USA	1
15	70928	1
16	70929	1

ITEM 15 & 16 ARE NOT INCLUDED  
BASED ON SPREAD PATTERN

REFLECTIVE TAPE  
1' EACH WAY  
BOTH CORNERS  
(WHITE ONLY)

REFLECTIVE TAPE  
3' EACH END  
(RED & WHITE)

15 OR 16

8

6

11

14

3

WHITE

13

10

FRONT

REF. TAPE  
1'

(RED & WHITE)

WHITE

REFLECTIVE TAPE  
1' ON JACK  
(RED & WHITE)

WHITE

REFLECTIVE TAPE  
1' EACH SIDE OF POLE  
(RED & WHITE)

REFLECTIVE TAPE  
3' EACH END  
(RED & WHITE)

WHITE

4

RATE  
CHART

5

REFLECTIVE TAPE  
2' (RED & WHITE)

3

RED

RED

REAR

REFLECTIVE TAPE  
1' EA SIDE ON LEG  
(RED & WHITE)

P/N: 10346B

**540 RPM (PTO)**

-THIS UNIT IS EQUIPPED FOR 540 RPM PTO HOOK-UP

-THE TRACTOR DRAWBAR AND PTO MUST CONFORM TO A.S.A.E. SPECIFICATIONS (SEE ILLUSTRATION) FOR PROPER PTO OPERATION

-USE PROPER DRAWBAR ARRANGEMENTS PROVIDED BY THE TRACTOR MANUFACTURER FOR USE WITH STANDARD AGRICULTURAL PTO DRIVEN EQUIPMENT

-ALWAYS LOCK THE DRAWBAR SECURELY TO AVOID PTO DAMAGE.

TRACTOR TIRE

GROUND LINE

10346B

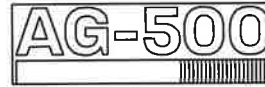
**DECALS NOT TO SCALE**

**DRIVER SIDE**

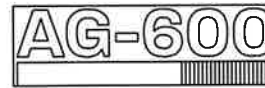
P/N:71595



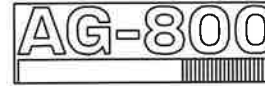
P/N:71597



P/N:71599



P/N:71602

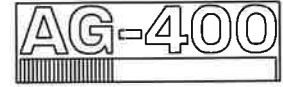


P/N:71604

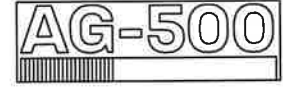


**DITCH SIDE**

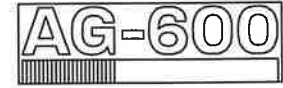
P/N:71594



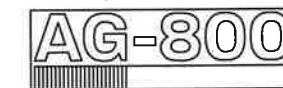
P/N:71596



P/N:71598



P/N:71601



P/N:71603



**Heartland  
AG SYSTEMS  
EQUIPMENT**

www.heartlandag.com

P/N:  
699107L

P/N: 54135

**Heartland  
AG SYSTEMS  
EQUIPMENT**

P/N: 10163A

**OPERATING INSTRUCTIONS**

**CAUTION:** Be sure drawbar is strong enough to support the load and that the PTO shaft is in approximately the one-half extended position when the spreader is attached to the tractor. Use a swinging drawbar or a plate to accomplish this.

Before operating this machine, check and tighten set screws on all bearings and pulleys. Tighten all bolts. Check conveyor belt for proper tension. After a load or two of material has been spread, a slight stretch in the conveyor will be observed. It is important that this be checked and taken up at once. Thereafter follow a systematic check on this point. Check all belts for proper tension. These belts govern the spread pattern and attention on these details will insure efficient spreading.

**CAUTION:** Do not operate the spreader with a metering gate opening of less than 1 inch or material may compact on the floor and at the gate, causing excessive strain on the conveyor. Should spreader stand loaded overnight or be subjected to rain or high humidity, move the conveyor in the proper direction by means of the small drive wheel, by hand, to insure free movement of the conveyor. Do not back up the machine unnecessarily, with the drive mechanism engaged.

Operate the tractor at full throttle to provide approximately 550 RPM at the power take off. This will insure the best performance and maximum speed.

Clean spreader blades periodically. do not over-grease sealed fittings.

At regular intervals, brush roller chains with mixture of lube oil and furnace oil.

For short layups or seasonal storage, brush the vulnerable points with a light oil mixture.

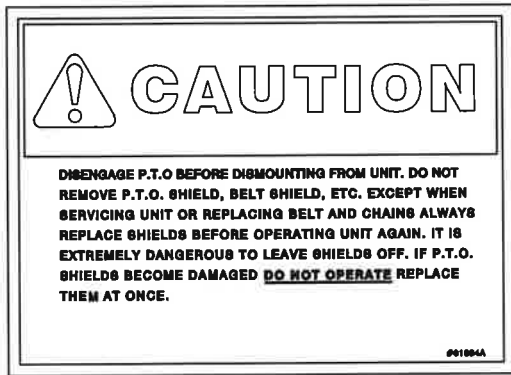
This machine was designed to operate with a minimum of maintenance and will do so, if, after the break-in period, these simple instructions are carried out.

**Check lug nuts before spreading first load - check daily thereafter**

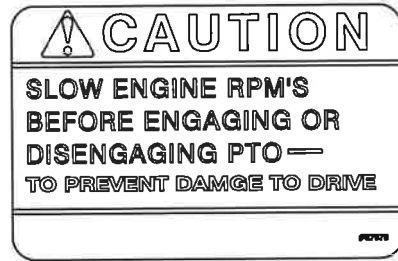
**CAUTION: Stand Clear of Distributor Discs When Machine is in Motion.**

#10168 A

P/N: 31894A



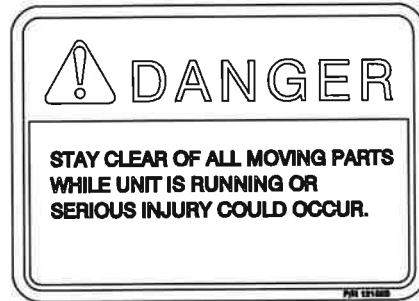
P/N: 37578



P/N: 12181A



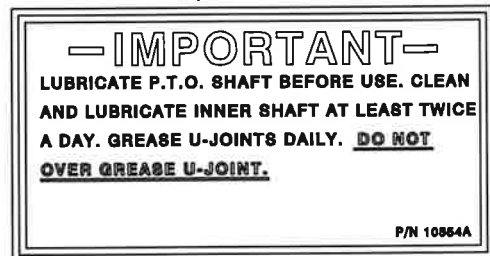
P/N: 12182B



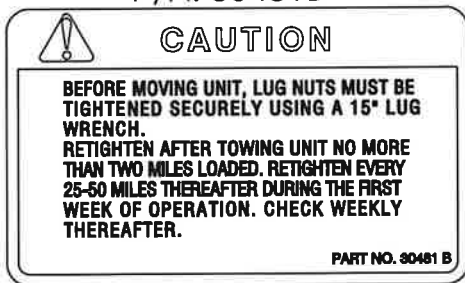
P/N: 12429A



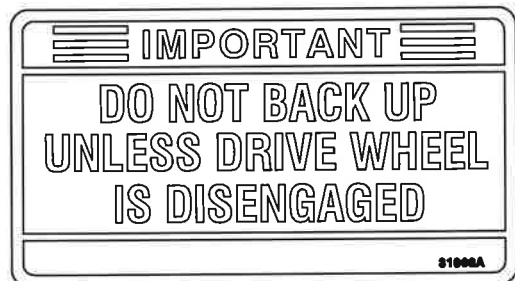
P/N: 10554A



P/N: 30481B



P/N: 31868A



P/N: 70928

40' SPREAD PATTERN

P/N: 70929

50' SPREAD PATTERN

P/N: USA



**RATE DECAL - LOW FERTILIZER**

GAIN Opening	MATERIAL WEIGHT PER CUBIC FOOT														
	45	50	52	54	56	58	60	62	64	66	68	70	72	74	76
1 1/2	49	54	57	59	61	63	65	68	70	72	74	76	78	81	83
2	92	102	106	110	114	119	123	127	131	135	139	143	147	151	155
2 1/2	128	140	146	151	157	162	168	174	179	185	190	196	202	207	213
3	162	180	187	194	202	209	216	223	230	238	245	252	259	266	274
3 1/2	194	216	224	233	241	250	259	267	276	285	293	302	310	319	328
4	231	257	267	277	287	298	308	318	329	339	349	359	370	380	390
4 1/2	264	293	305	317	329	340	352	364	375	387	399	411	422	434	446
5	299	332	346	359	372	385	399	412	425	439	452	465	478	492	505
5 1/2	333	370	385	400	414	429	444	459	474	488	503	518	533	548	562
6	367	408	424	440	457	473	489	506	522	538	555	571	587	603	620
6 1/2	403	448	466	484	501	519	537	555	573	591	609	627	645	663	681
7	439	488	507	527	546	566	585	605	624	644	663	683	702	722	741
	471	523	544	565	586	607	628	649	670	691	712	733	754	775	795

LOW RANGE - Using 15 tooth to 96 tooth sprockets - For rate per acre use top number in box  
 HIGH RANGE - Using 25 tooth to 84 tooth sprockets - For rate per acre use bottom number in box

7/189  
 TCI, PH 30854A

**RATE DECAL - LOW FERTILIZER**

GAIN Opening	MATERIAL WEIGHT PER CUBIC FOOT														
	45	50	52	54	56	58	60	62	64	66	68	70	72	74	76
1 1/2	39	43	45	47	49	50	52	54	55	57	59	61	62	64	66
2	74	82	86	89	92	95	99	102	105	109	112	115	118	122	125
2 1/2	101	112	117	121	126	130	135	139	144	148	153	157	162	166	171
3	130	144	150	156	162	168	173	179	185	191	196	202	208	214	220
3 1/2	165	172	179	186	193	200	207	214	220	227	234	241	248	255	262
4	185	206	214	222	230	238	247	255	263	271	280	288	296	304	312
4 1/2	211	223	228	233	238	243	248	253	258	263	268	273	278	283	288
5	239	256	276	287	297	308	319	329	340	351	361	372	382	393	404
5 1/2	266	296	307	319	331	343	355	366	378	390	402	414	426	437	449
6	294	327	340	353	366	379	392	405	418	431	444	457	470	483	497
6 1/2	322	358	372	386	401	415	429	444	458	472	487	501	515	529	544
7	351	390	405	421	437	452	468	484	499	515	530	546	562	577	593
	377	419	436	452	468	484	500	516	532	549	565	581	597	613	629

LOW RANGE - Using 15 tooth to 96 tooth sprockets - For rate per acre use top number in box  
 HIGH RANGE - Using 25 tooth to 84 tooth sprockets - For rate per acre use bottom number in box

AGS PM 3097A 10-04

**RATE DECAL - STANDARD FERTILIZER**

GAIN Opening	MATERIAL WEIGHT PER CUBIC FOOT														
	45	50	52	54	56	58	60	62	64	66	68	70	72	74	76
1 1/2	81	90	94	97	101	104	108	112	115	119	122	126	130	133	137
2	110	122	127	132	137	142	147	152	158	161	168	171	176	181	186
2 1/2	141	157	163	169	175	182	188	194	201	207	213	219	226	232	238
3	170	189	196	204	212	219	227	234	242	249	257	264	272	280	287
3 1/2	203	226	235	244	253	262	271	280	289	298	307	316	325	334	343
4	231	257	267	277	287	298	308	318	329	339	349	359	370	380	390
4 1/2	262	291	303	314	326	338	349	361	373	384	396	408	419	431	442
5	292	324	337	350	363	376	389	402	415	428	441	454	467	480	493
5 1/2	321	357	371	385	399	414	428	442	457	471	485	499	514	528	542
6	353	392	408	424	439	455	471	486	502	518	533	549	565	580	596
6 1/2	383	426	443	460	477	494	511	528	545	562	579	596	613	630	647
7	412	458	476	494	513	531	549	568	586	604	623	641	659	677	696
	442	488	507	525	544	563	582	601	620	639	658	677	696	715	734

LOW RANGE - Using 15 tooth to 96 tooth sprockets - For rate per acre use top number in box  
 HIGH RANGE - Using 25 tooth to 84 tooth sprockets - For rate per acre use bottom number in box

12/90  
 30859C

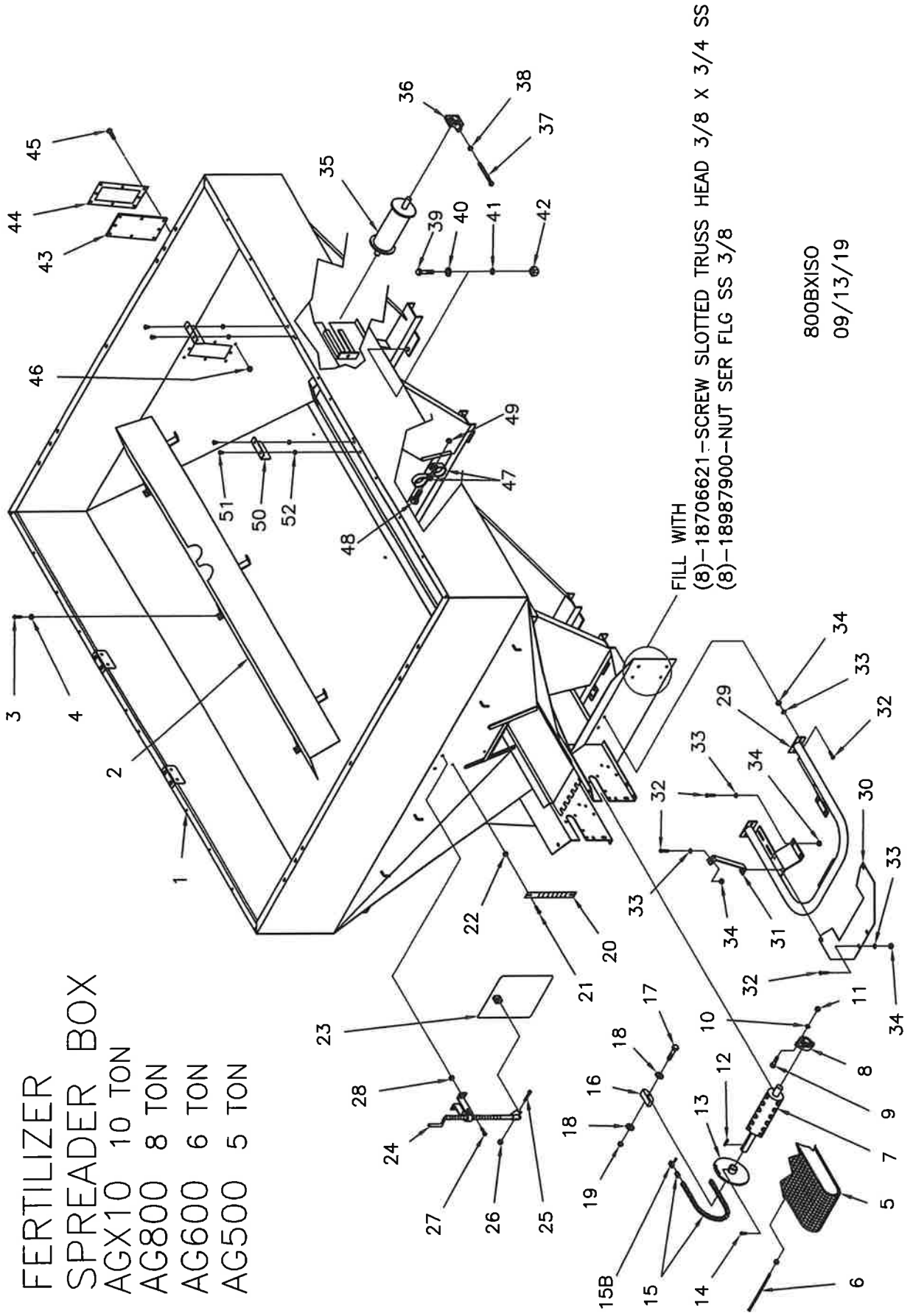
**RATE DECAL - STANDARD FERTILIZER**

GAIN Opening	MATERIAL WEIGHT PER CUBIC FOOT														
	45	50	52	54	56	58	60	62	64	66	68	70	72	74	76
1 1/2	65	72	75	78	81	84	87	90	92	95	99	101	104	107	110
2	88	98	102	106	110	113	117	121	125	129	133	137	141	145	149
2 1/2	113	126	131	136	141	146	151	156	161	166	171	176	181	186	191
3	136	151	157	163	169	175	181	187	193	199	206	212	218	224	230
3 1/2	162	180	187	194	202	209	216	223	230	238	245	252	259	266	274
4	185	206	214	222	230	238	247	255	263	271	280	288	296	304	312
4 1/2	210	233	243	252	261	271	280	289	299	308	317	327	336	345	355
5	233	259	269	280	290	300	311	321	331	342	352	362	373	383	394
5 1/2	257	286	297	308	320	331	343	354	366	377	388	400	411	423	434
6	282	313	326	338	351	363	376	389	401	414	426	439	451	464	476
6 1/2	307	341	355	368	382	396	409	423	437	450	464	478	491	505	518
7	329	366	380	395	409	424	439	454	468	483	497	512	526	541	556
	358	396	411	426	441	456	471	486	501	516	531	546	561	576	591

LOW RANGE - Using 15 tooth to 96 tooth sprockets - For rate per acre use top number in box  
 HIGH RANGE - Using 25 tooth to 84 tooth sprockets - For rate per acre use bottom number in box

12/10  
 30860C

FERTILIZER  
SPREADER BOX  
AGX10 10 TON  
AG800 8 TON  
AG600 6 TON  
AG500 5 TON



800BXISO  
09/13/19

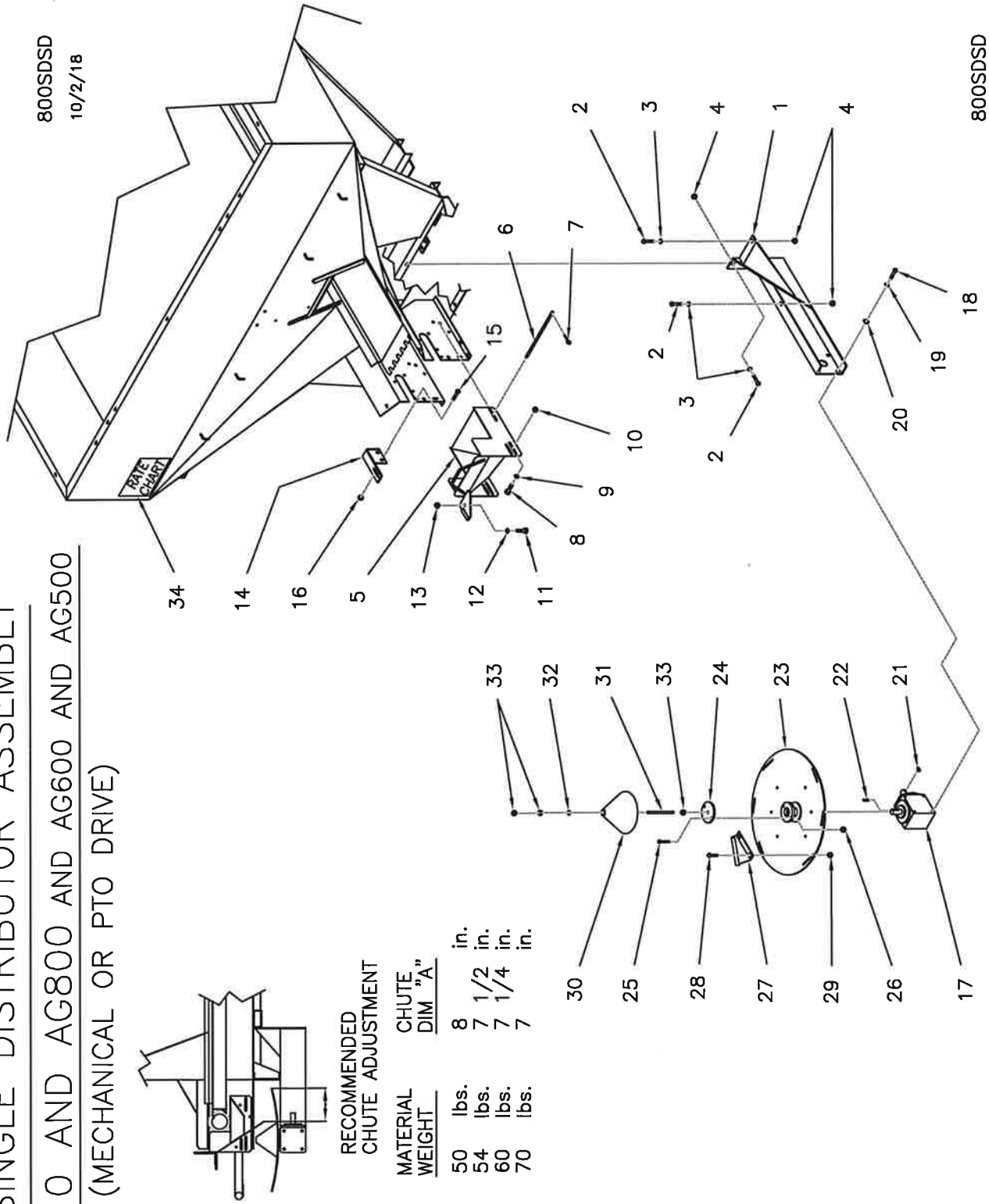




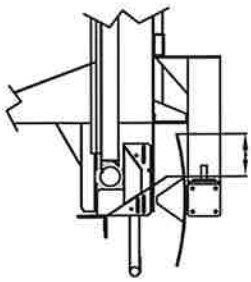
# SINGLE DISTRIBUTOR ASSEMBLY

AGX10 AND AG800 AND AG600 AND AG500  
(MECHANICAL OR PTO DRIVE)

800SDSD  
10/2/18



800SDSD



RECOMMENDED  
CHUTE  
ADJUSTMENT

MATERIAL WEIGHT	CHUTE DIM "A"	in.
50 lbs.	8	1/2
54 lbs.	7	1/4
60 lbs.	7	
70 lbs.	7	

AGX10, AG800, AG600 AND AG500SINGLE DISTRIBUTOR ASSEMBLY  
(MECHANICAL OR PTO DRIVE)

COMPLETE P.N. 48010801

ITEM	PART NO.	DESCRIPTION	QTY.
1	47008950	MOUNTING ARM, LEFT HAND	1
	47018950	MOUNTING ARM, RIGHT HAND	1
2	18475240	BOLT, 1/2-13NC. X 1 1/4	S.S. 6
3	18824800	FLATWASHER, 1/2	S.S. 6
4	18977400	FLANGE NUT, 1/2-13NC.	S.S. 6
5	02298	CHUTE	1
6	37036	FRONT PIN, CHUTE	1
7	18660622	COTTER PIN, 1/8 X 1	S.S. 2
8	18026822	BOLT, 3/8-16NC. X 1	S.S. 2
9	18991200	FLATWASHER, 3/8	S.S. 2
10	18987900	FLANGE NUT, 3/8-16NC.	S.S. 2
11	18026822	BOLT, 3/8-16NC. X 1	S.S. 1
12	18881201	LOCKWASHER, 3/8	S.S. 1
13	18987900	FLANGE NUT, 3/8-16NC.	S.S. 1
14	47019398	CHUTE LOCK BRACKET	1
15	18706421	BOLT, TRUSS HD. 5/16-18NC. X 3/4	S.S. 2
16	18476350	HEX. NUT 5/16-18NC	S.S. 2
17	05359	GEARBOX	1
18	18026822	BOLT, 3/8-16NC. X 1	S.S. 8
19	18881201	LOCKWASHER, 3/8	S.S. 8
20	18991200	FLATWASHER, 3/8	8
21	30977	WOODRUFF KEY,	1
22	47006519	SQUARE KEY, 1/4 X 1/4 X 1 1/2	1
23	05157A	DISTRIBUTOR DISK ASSEMBLY	1
		INCLUDES ITEMS, 23A, 24, 25 AND 26	
23A	01695	DISTRIBUTOR DISK ONLY, INCLUDES	
	18767450	SET SCREW, SQ. HD. 5/16-18 X 3/4	2
24	34760	CONE MOUNT PLATE	1
25	18026824	BOLT, 3/8-16 NC. X 1 1/4	S.S. 2
26	18987900	FLANGE NUT, 3/8-16NC.	S.S. 2
27	31366	DISTRIBUTOR BLADE, HIGH LIFT	6
28	18706421	BOLT, TRUSS HD. 5/16-18NC. X 3/4	S.S. 12
29	18476350	HEX. NUT 5/16-18NC	S.S. 12
30	36378	CENTER CONE	1
31	37037	CONE HOLD-DOWN BOLT	1
32	18991200	FLATWASHER, 3/8	1
33	18476800	HEX. NUT, 3/8-16NC.	3
34	30906C	DECAL, RATE CHART (50 FT.)	1

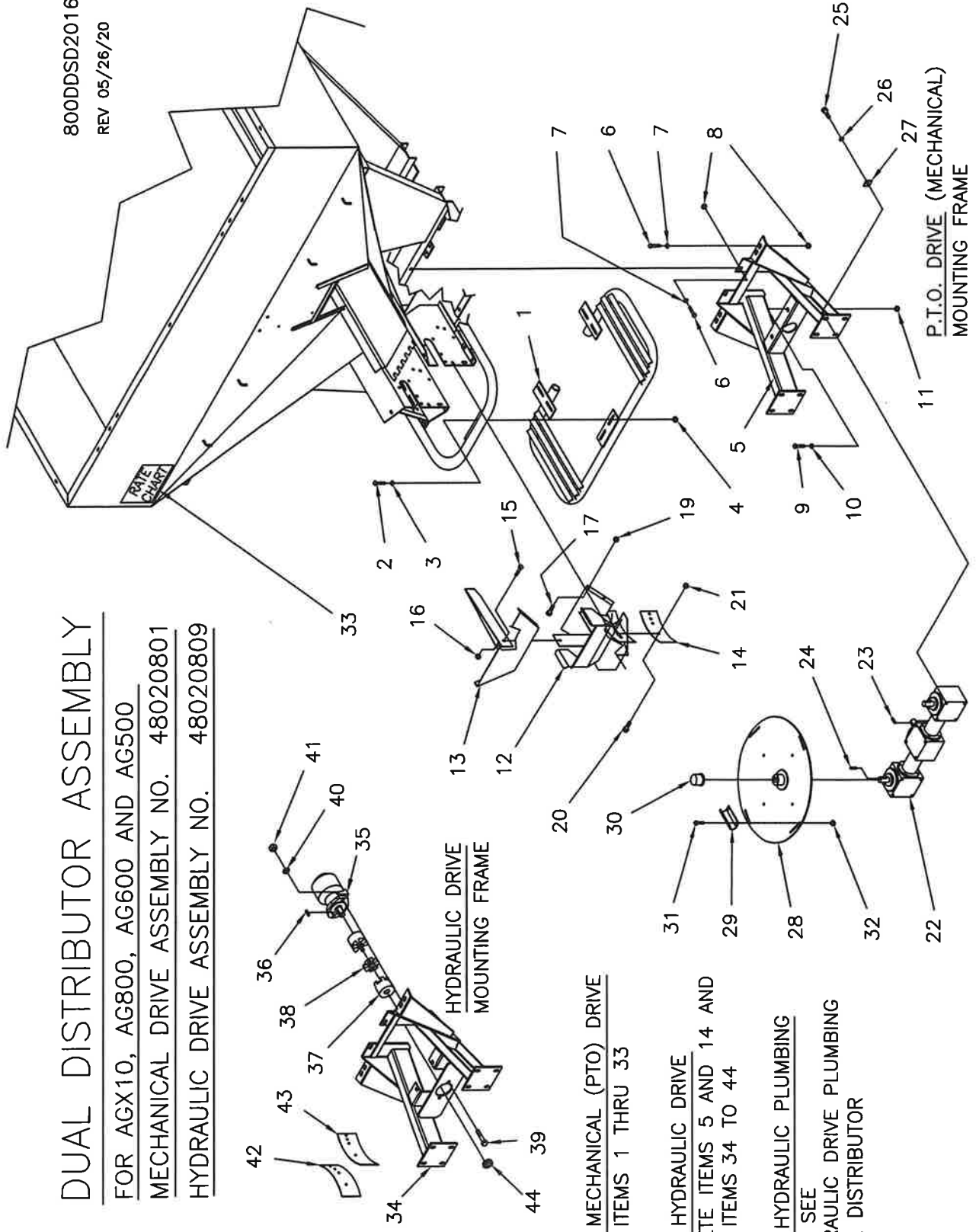
# DUAL DISTRIBUTOR ASSEMBLY

FOR AGX10, AG800, AG600 AND AG500

MECHANICAL DRIVE ASSEMBLY NO. 48020801

HYDRAULIC DRIVE ASSEMBLY NO. 48020809

800DDSD2016  
REV 05/26/20



FOR MECHANICAL (PTO) DRIVE  
USE ITEMS 1 THRU 33

FOR HYDRAULIC DRIVE  
DELETE ITEMS 5 AND 14 AND  
ADD ITEMS 34 TO 44

FOR HYDRAULIC PLUMBING  
INFO SEE  
HYDRAULIC DRIVE PLUMBING  
DUAL DISTRIBUTOR

# AGX10, AG800, AG600 AND AG500

## DUAL DISTRIBUTOR ASSEMBLY

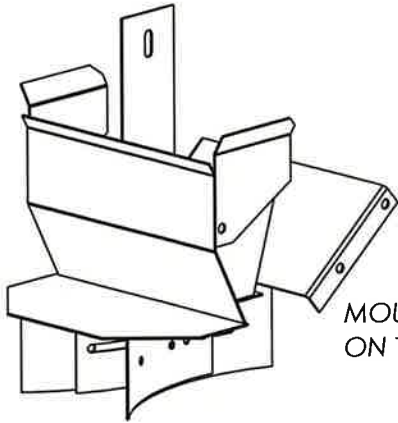
800DDSDL2016

REV 05/26/20

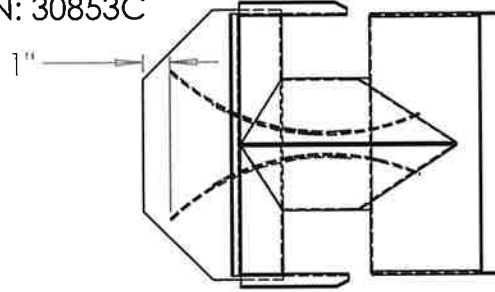
ITEM	PART NO.	DESCRIPTION	QTY.
	48020801	MECHANICAL DISTRIBUTER DRIVE COMPLETE INCLUDES ITEMS 1 TO 33	
1	05936	BUMPER, DUAL DISTRIBUTER	1
2	18026824	BOLT, 3/8-16NC. X 1 1/4	S.S. 6
3	18991200	FLATWASHER, 3/8	S.S. 6
4	18987900	FLANGE NUT, 3/8-16NC.	S.S. 6
5	47008967	DUAL GEARBOX MOUNT (MECHANICAL)	1
6	18475240	BOLT, 1/2-13NC. X 1 1/4	S.S. 6
7	18824800	FLATWASHER, 1/2	S.S. 6
8	18977400	FLANGE NUT, 1/2-13NC.	S.S. 6
9	18475240	BOLT, 1/2-13NC. X 1 1/4	S.S. 2
10	18824800	FLATWASHER, 1/2	S.S. 2
11	18977400	FLANGE NUT, 1/2-13NC.	S.S. 2
12	03334	FERTILIZER CHUTE	1
13	03336	UPPER DIVIDER	1
14	30741	DEFLECTOR EXTENSION (409 SS)	2
	30308	DEFLECTOR EXTENSION (304 SS)	OR
15	18026830	BOLT, 3/8-16NC. X 2	S.S. 1
16	18476800	HEX. NUT, 3/8-16NC.	S.S. 2
17	18026822	BOLT, 3/8-16NC. X 1	S.S. 4
18	18881201	LOCKWASHER, 3/8	S.S. 4
19	18987900	FLANGE NUT, 3/8-16NC.	S.S. 4
20	18706427	BOLT, TRUSS HD. 5/16-18NC. X 1/2	S.S. 4
21	18987700	FLANGE NUT, 5/16-18NC.	S.S. 4
22	05350A	GEARBOX ASSEMBLY	1
23	47009654	SQUARE KEY, 1/4 X 1/4 X 1 1/4	1
24	47006519	SQUARE KEY, 1/4 X 1/4 X 1 1/2	2
25	18026822	BOLT, 3/8-16NC. X 1	S.S. 8
26	18881201	LOCKWASHER, 3/8	S.S. 8
27	2-8983	BACKING WASHER	8
28	03380C	DISTRIBUTER DISC ASSEMBLY	2
29	31365	DISTRIBUTER BLADE, (409 S.S.)	8
	10339	DISTRIBUTER BLADE, (MILD STEEL)	OPT
30	34664	VINYL SHAFT COVER	2
31	18706423	BOLT, TRUSS HD. 1/4-20NC. X 3/4	S.S. 16
32	18475700	HEX. NUT, 1/4-20NC.	S.S. 16
33	30853C	DECAL, RATE CHART (40 FT.)	1
	48020809	HYDRAULIC DISTRIBUTER DRIVE COMPLETE INCLUDE ITEMS 1 TO 4, 6 TO 13 AND ITEMS 15 TO 44	
34	47009650	DUAL GEARBOX MOUNT, HYDRAULIC	1
35	02182	HYD. MOTOR, (TF0080WB080AAAB)(2016&up)	1
	02183	HYD. MOTOR, (M30A-842-MEAB12-43)(2015&OLDER)	
	BN92392	REPLACEMENT SEAL KIT	OPT
36	47009654	SQUARE KEY, 1/4 X 1/4 X 1 1/4	1
37	32197	FLEXIBLE COUPLING COMPLETE	1
38	95036	RUBBER SPIDER (REPLACEMENT)	-
39	18057426	BOLT, 1/2-13 NC. X 1 1/2 ZP	4
40	18891400	LOCKWASHER, 1/2 ZP	4
41	18417400	HEX. NUT, 1/2-13NC. ZP	4
42	47009655	DEFLECTOR EXTENSION, L.H.	1
43	47009656	DEFLECTOR EXTENSION, R.H.	1
44	2380K26	COLLAR, CLAMPING 2 PIECE 1" ZC	1

# DUAL DISTRIBUTOR CHUTE DEFLECTOR SETTINGS

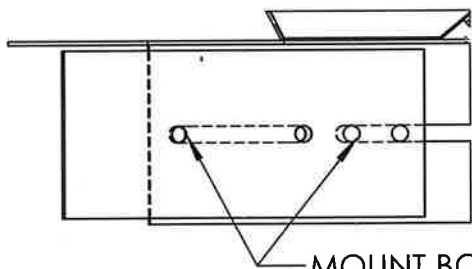
## **40 FOOT PATTERN** USE DECAL P/N: 30853C



MOUNT DEFLECTORS  
ON THE OUTSIDE

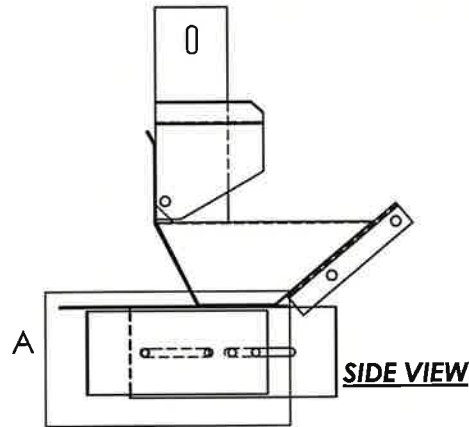


**TOP VIEW**



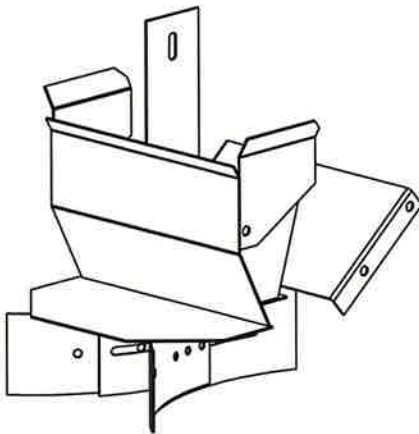
DETAIL A  
SCALE 1 : 4

MOUNT BOLTS HERE

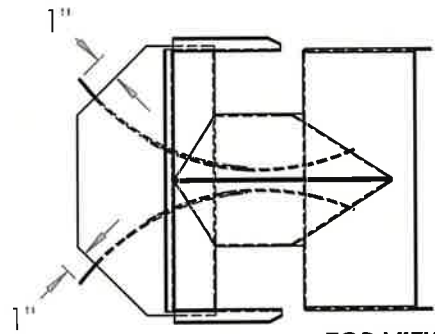


**SIDE VIEW**

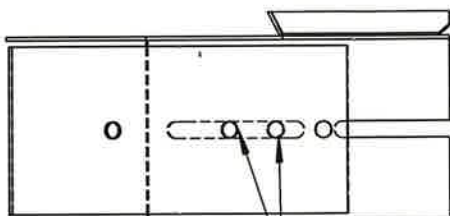
## **50 FOOT PATTERN** USE DECAL P/N: 30906C



MOUNT DEFLECTORS  
ON THE OUTSIDE

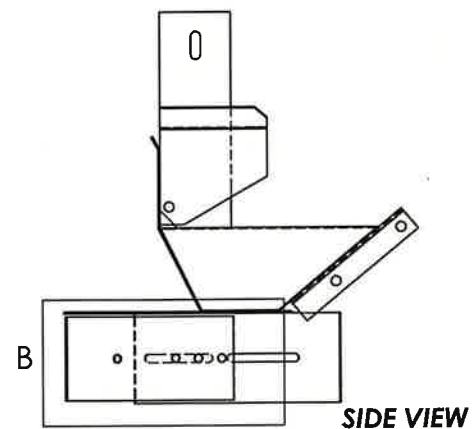


**TOP VIEW**



DETAIL B  
SCALE 1 : 4

MOUNT BOLTS HERE



**SIDE VIEW**

# OPERATORS NOTES

HYDRAULIC DRIVE PLUMBING  
FOR AG800, AG600 AND AG500

COMPLETE KIT (COR916)

HYDRAULIC SETTING SPECIFICATIONS:  
2250 PSI MAXIMUM SYSTEM RELIEF SETTING  
15 GALLONS PER MINUTE MIN/ 15.5 GPM MAX HYD FLOW AT OPERATING SPEED

INSTRUCTIONS FOR SETTING DISTRIBUTOR SPINNER SPEED

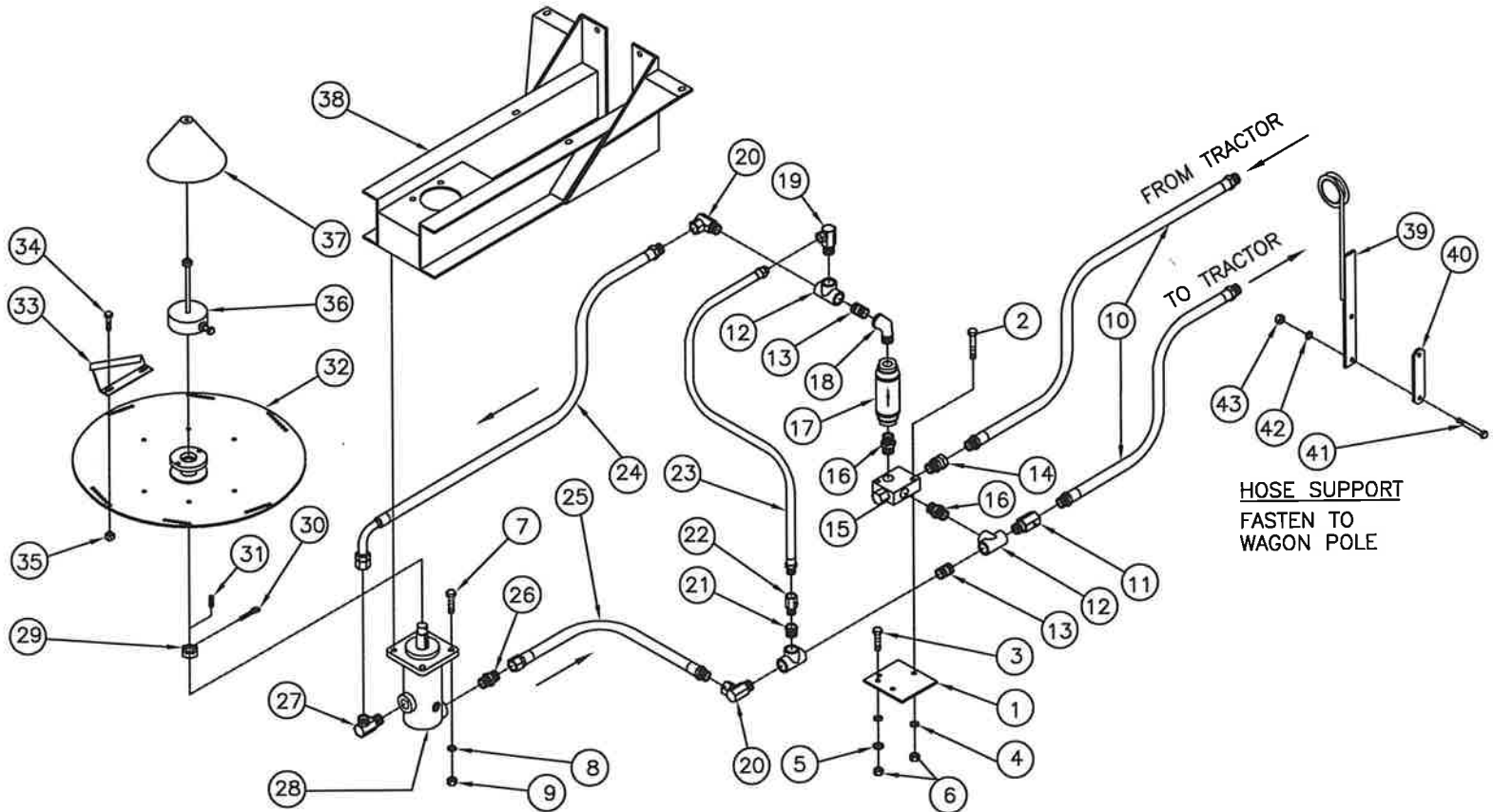
A PROPER AMOUNT OF OIL FLOW IS REQUIRED TO OPERATE THE HYDRAULIC MOTOR AT 740 TO 750 RPM. THIS SHOULD TAKE 15 TO 15.5 GALLONS PER MINUTE FLOW RATE.

ON TRACTORS WITH HYDRAULIC SYSTEM SPEED CONTROLS, SET THE SYSTEM FLOW RATE AT 15 TO 15.5 GPM AT OPERATING SPEED. ON TRACTORS WITHOUT HYDRAULIC SYSTEM SPEED CONTROL SET THE FLOW CONTROL TO 15 TO 15.5 GALLONS PER MINUTE THEN CHECK AND MARK THE FLOW METER (ITEM 17) AT THE CORRECT AMOUNT.

**IMPORTANT!**  
IF THE PROPER FLOW IS NOT MAINTAINED DAMAGE TO THE HYD MOTOR, OR MOTOR SEALS MAY RESULT!

ON TRACTORS WITHOUT ADJUSTABLE HYDRAULIC FLOW CONTROLS, MODIFICATIONS MAY NEED TO BE MADE TO YOUR UNIT TO CONTROL EXCESS OIL OR DAMAGE TO THE HYD MOTOR OR SEALS MAY RESULT.

ALSO READ THE HYD DISTRIBUTOR DRIVE OPERATOR INSTRUCTIONS PAGE OF THIS MANUAL FOR IMPORTANT ADDITIONAL INFORMATION.



DISTRIBUTORS SHOULD ROTATE AT 740 TO 750 RPM TO OBTAIN REQUIRED SPREADER PERFORMANCE. USE A TACHOMETER TO VERIFY ACTUAL RPMS AND ADJUST FLOW RATE IF NEEDED TO OBTAIN DESIRED RPM.



# HYDRAULIC SPREADER DRIVE

HYDSPDRVLST

(SINGLE DISTRIBUTER 2015 AND OLDER) PARTS LIST

10-21-10

## COMPLETE KIT (COR916)

ITEM	PART NO.	DESCRIPTION	QTY
1	47009540	MOUNTING PLATE ALL HARDWARE IS STAINLESS STEEL	1
2	18476834	BOLT, 3/8-16NC. X 2 1/2 SS	2
3	18026824	BOLT, 3/8-16NC. X 1 1/4 SS	2
4	18881201	LOCK WASHER, 3/8 SS	4
5	18891200	FLAT WASHER, 3/8 SS	2
6	18476800	HEX. NUT, 3/8-16NC. SS	4
7	18027417	BOLT, 1/2-13NC. X 2 SS	4
8	18991400	LOCK WASHER, 1/2 SS	4
9	18477400	HEX. NUT, 1/2-16NC. SS	4
10	610096	HYD. HOSE, 3/4 X 96", 3/4 PIPE X 1/2 PIPE ENDS	2
11	LT-75-00N	CHECK VALVE, 3/4 MPT X 3/4 FPT	1
12	72212	PIPE TEE, 3/4 FPT	3
13	72200	CLOSE NIPPLE, 3/4 MPT	2
14	6900-12-12	SWIVEL ADAPTER, #12 O-RING X 3/4 PIPE	1
15	02139	FLOW CONTROL VALVE, (SEE ILLUSTRATION FOR SETTING INFO)	1
16	6401-12-12	ADAPTER, #12 O-RING X 3/4 PIPE	2
17	701-020	FLOW METER, (SEE ILLUSTRATION FOR SETTING INFO)	1
18	72229	STREET ELBOW, 3/4 MPT X 3/4 FPT	1
19	1501-12-8	SWIVEL ADAPTER, 3/4 FPT X 1/2 FPT 90 DEG.	1
20	1501-12-12	SWIVEL ADAPTER, 3/4 FPT X 3/4 FPT 90 DEG.	2
21	72218	PIPE BUSHING, 1/2 FPT X 3/4 MPT	1
22	LT-50-0W	CHECK VALVE, 1/2 FPT X 1/2 MPT	1
23	609024	HYD. HOSE, 1/2 X 24", 1/2 PIPE EACH END	1
24	610162	HYD. HOSE, 3/4 X 162", 3/4 PIPE X #12 X 90 DEG. JICFS ENDS	1
25	611162	HYD. HOSE, 3/4 X 162", 3/4 PIPE X #12 JICFS ENDS	1
26	6400-12	CONNECTOR, #12 O-RING X #12 MJIC STRAIGHT	1
27	6801-12	CONNECTOR, #12 O-RING X #12 MJIC 90 DEG.	1
28	51959	HYDRAULIC MOTOR, INCLUDES ITEMS 29, 30 AND 31 (SEE ILLUSTRATION FOR SETTING INFO)	1
	94021	SEAL KIT FOR MOTOR,	OPT.
29	BN95501	SLOTTED HEX. JAM NUT, 1-14NF.	1
30	50603	COTTER PIN, 1/8 X 1 1/2	1
31	47019574	DRIVE KEY, 5/16 SQ. X 1	1
32	05819	DISTRIBUTER DISK	1
33	31366	DISTRIBUTER BLADE, HIGH LIFT	6
34	18706421	BOLT, TRUSS HD. 5/16-18NC. X 3/4 S.S.	12
35	18476350	HEX. NUT, 5/16-18NC. S.S.	12
36	02295	CAP ASSEMBLY, COMPLETE (02295 OR 05820B ACCEPTABLE)	1
37	36378	CENTER CONE	1
38	47009425	DISTRIBUTOR MOUNT FRAME	1
39	47019995	HOSE SUPPORT, (PIGTAIL)	1
40	47008463	MOUNTING STRAP	1
41	18056850	BOLT, 3/8-16NC. X 4 GR5 ZC	2
42	18891200	LOCK WASHER, 3/8 ZC	2
43	18436800	HEX. NUT, 3/8-16NC. ZC	2
	607916	HYD HOSE KIT (HYD SPINNER DRIVE) INCLUDES ITEMS 10, 23, 24, AND 25	
	607917	HYD FITTING PKG (SINGLE HYD SPINNER DRIVE) TOMPKINS FITTINGS INCLUDES ITEMS 14, 16, 19, 20, 26, & 27	

# SINGLE DISTRIBUTOR (2016 AND NEWER)

HYDSPDRV16

REV 10/01/18

## HYDRAULIC DRIVE PLUMBING FOR AGX10, AG800, AG600 AND AG500

### HYDRAULIC DRIVE KIT (COR917) HYDRAULIC SPINNER KIT (48010809)

HYDRAULIC SETTING SPECIFICATIONS:  
2250 PSI MAXIMUM SYSTEM RELIEF SETTING  
15 GALLONS PER MINUTE MIN/ 15.5 GPM MAX HYD FLOW AT OPERATING SPEED

#### INSTRUCTIONS FOR SETTING DISTRIBUTOR SPINNER SPEED

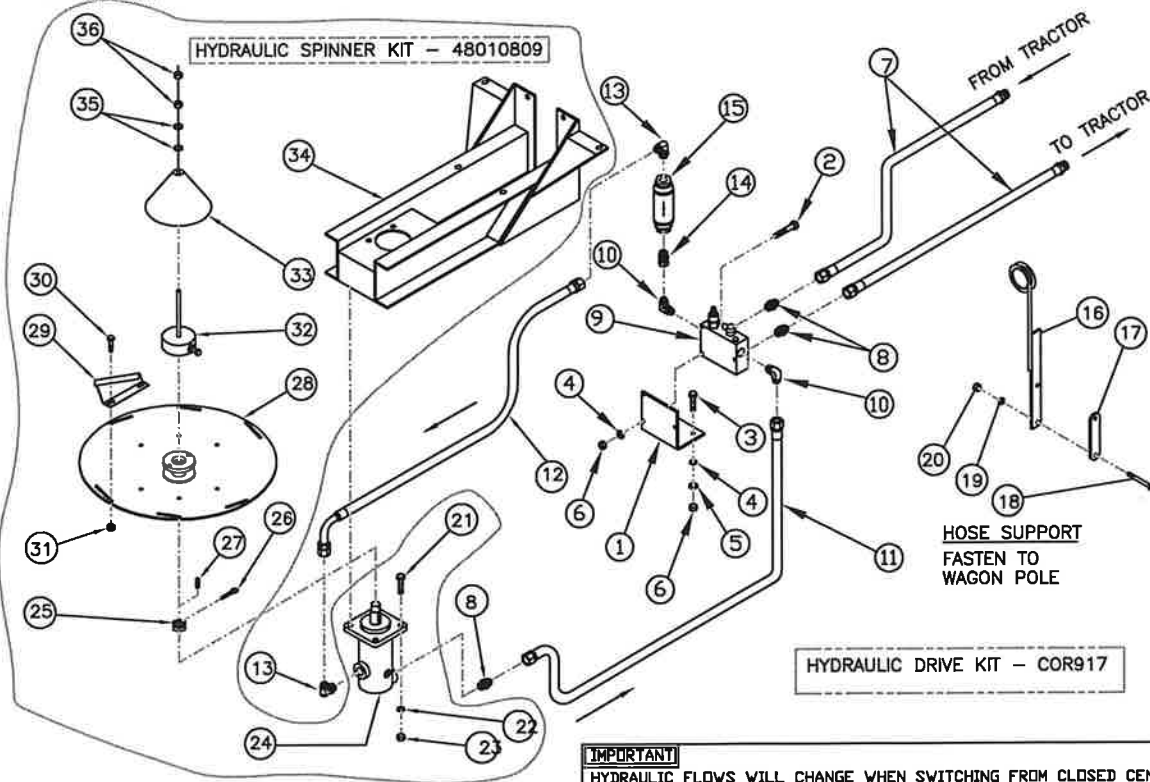
A PROPER AMOUNT OF OIL FLOW IS REQUIRED TO OPERATE THE HYDRAULIC MOTOR  
AT 740 TO 750 RPM. THIS SHOULD TAKE 15 TO 15.5 GALLONS PER MINUTE FLOW RATE.

ON TRACTORS WITH HYDRAULIC SYSTEM SPEED CONTROLS, SET THE SYSTEM FLOW RATE  
AT 15 TO 15.5 GPM AT OPERATING SPEED. ON TRACTORS WITHOUT HYDRAULIC SYSTEM SPEED CONTROL  
SET THE FLOW CONTROL TO 15 TO 15.5 GALLONS PER MINUTE THEN CHECK AND MARK THE FLOW  
METER (ITEM 17) AT THE CORRECT AMOUNT.

**IMPORTANT!**  
IF THE PROPER FLOW IS NOT MAINTAINED DAMAGE TO THE HYD MOTOR, OR MOTOR SEALS MAY RESULT!

ON TRACTORS WITHOUT ADJUSTABLE HYDRAULIC FLOW CONTROLS, MODIFICATIONS  
MAY NEED TO BE MADE TO YOUR UNIT TO CONTROL EXCESS OIL OR DAMAGE TO THE HYD MOTOR OR SEALS MAY RESULT.

ALSO READ THE HYD DISTRIBUTOR DRIVE OPERATOR INSTRUCTIONS PAGE OF  
THIS MANUAL FOR IMPORTANT ADDITIONAL INFORMATION.



DISTRIBUTORS SHOULD ROTATE AT 740 TO 750 RPM  
TO OBTAIN REQUIRED SPREADER PERFORMANCE.  
USE A TACHOMETER TO VERIFY ACTUAL RPMS AND  
ADJUST FLOW RATE IF NEEDED TO OBTAIN DESIRED RPM.

**IMPORTANT!**  
HYDRAULIC FLOWS WILL CHANGE WHEN SWITCHING FROM CLOSED CENTER SYSTEM TO OPEN CENTER SYSTEM. IT IS IMPORTANT TO ADJUST YOUR FLOW CONTROL TO CORRECT FLOWS WHEN YOU SWITCH FROM ONE TRACTOR TO ANOTHER, IF NEEDED

**CLOSED CENTER HYDRAULIC SYSTEM:**  
FOR NEWER TRACTORS, THE FLOW CONTROL VALVE MUST BE SET TO CLOSED THIS ALLOWS THE USER TO SET THE HYDRAULIC FLOW AND WILL NOT LET EXTRA OIL PASS THRU.

**OPEN CENTER HYDRAULIC SYSTEM:**  
FOR OLDER TRACTORS, THE FLOW CONTROL VALVE MUST BE SET TO OPEN. THIS WILL ALLOW EXTRA OIL TO BE PUMPED BACK TO THE TANK AT TANK PRESSURE WITHOUT DAMAGING THE VALVE/TRACTOR

# HYDRAULIC SPREADER DRIVE

HYDSPDRVLST16

(SINGLE DISTRIBUTOR 2016 AND NEWER) PARTS LIST

02/22/18

## HYDRAULIC DRIVE KIT (COR917)

ITEM	PART NO.	DESCRIPTION	QTY
1	47017824	MOUNTING PLATE ALL HARDWARE IS STAINLESS STEEL	1
2	18476834	BOLT, 3/8-16NC. X 2 1/2 SS	3
3	18026824	BOLT, 3/8-16NC. X 1 1/4 SS	2
4	18881201	LOCK WASHER, 3/8 SS	5
5	18991200	FLAT WASHER, 3/8 SS	2
6	18476800	HEX. NUT, 3/8-16NC. SS	5
7	612096	HYD. HOSE, 3/4 X 96", #12 JICFS X 1/2 PIPE ENDS	2
8	6400-12	ADAPTER, #12 MJIC X #12 O-RING	3
9	02138	FLOW CONTROL VALVE, (SEE ILLUSTRATION FOR SETTING INFO)	1
10	6801-12-10	90° ELBOW, #12 MJIC X #10 O-RING	2
11	610178	HYD. HOSE, 3/4 X 178", #12 JICFS BOTH ENDS	1
12	611178	HYD. HOSE, 3/4 X 178", #12 JICFS X #12 JICFS 90°	1
13	445001	90° ELBOW, #12 MJIC X #12 O-RING	2
14	6402-12-12	ADAPTER, #12 JICFS X #12 O-RING	1
15	701-019	FLOW METER, (SEE ILLUSTRATION FOR SETTING INFO)	1
16	47019995	HOSE SUPPORT, (PIGTAIL)	1
17	47008463	MOUNTING STRAP	1
18	18056850	BOLT, 3/8-16NC. X 4 GR5 ZC	2
19	18891200	LOCK WASHER, 3/8 ZC	2
20	18436800	HEX. NUT, 3/8-16NC. ZC	2
	607916B	HYD HOSE KIT (HYD SPINNER DRIVE) INCLUDES ITEMS 7, 11, & 12	
	607917C	HYD FITTING PKG (SINGLE HYD SPINNER DRIVE) TOMPKINS FITTINGS INCLUDES ITEMS 8, 10, 13, & 14	

## HYDRAULIC SPINNER KIT (48010809)

ITEM	PART NO.	DESCRIPTION	QTY
21	18027417	BOLT, 1/2-13NC. X 2 SS	4
22	18991400	LOCK WASHER, 1/2 SS	4
23	18997400	HEX. NUT, 1/2-13NC. SS	4
24	51959	HYDRAULIC MOTOR (SEE ILLUSTRATION FOR SETTING INFO)	1
	94021	SEAL KIT FOR MOTOR,	OPT.
25	BN95501	SLOTTED HEX. JAM NUT, 1-14NF.	1
26	50603	COTTER PIN, 1/8 X 1 1/2	1
27	47019574	DRIVE KEY, 5/16 SQ. X 1	1
28	05819	DISTRIBUTER DISK	1
29	31366	DISTRIBUTER BLADE, HIGH LIFT	6
30	18706421	BOLT, TRUSS HD. 5/16-18NC. X 3/4 S.S.	12
31	18476350	HEX. NUT, 5/16-18NC. S.S.	12
32	02295	CAP ASSEMBLY, COMPLETE (02295 OR 05820B ACCEPTABLE)	1
33	36378	CENTER CONE	1
34	47009425	DISTRIBUTOR MOUNT FRAME	1
35	18991200	FLAT WASHER, 3/8 SS	2
36	18476800	HEX. NUT, 3/8-16NC. SS	2

ALSO INCLUDES ITEMS 5-16 FROM PGS. 32 AND 33 OF THE MANUAL

# DUAL DISTRIBUTOR

## HYDRAULIC DRIVE PLUMBING

### FOR AG800, AG600 AND AG500

#### (COMPLETE KIT COR916A)

800DDHYDPLBG  
01-15-10

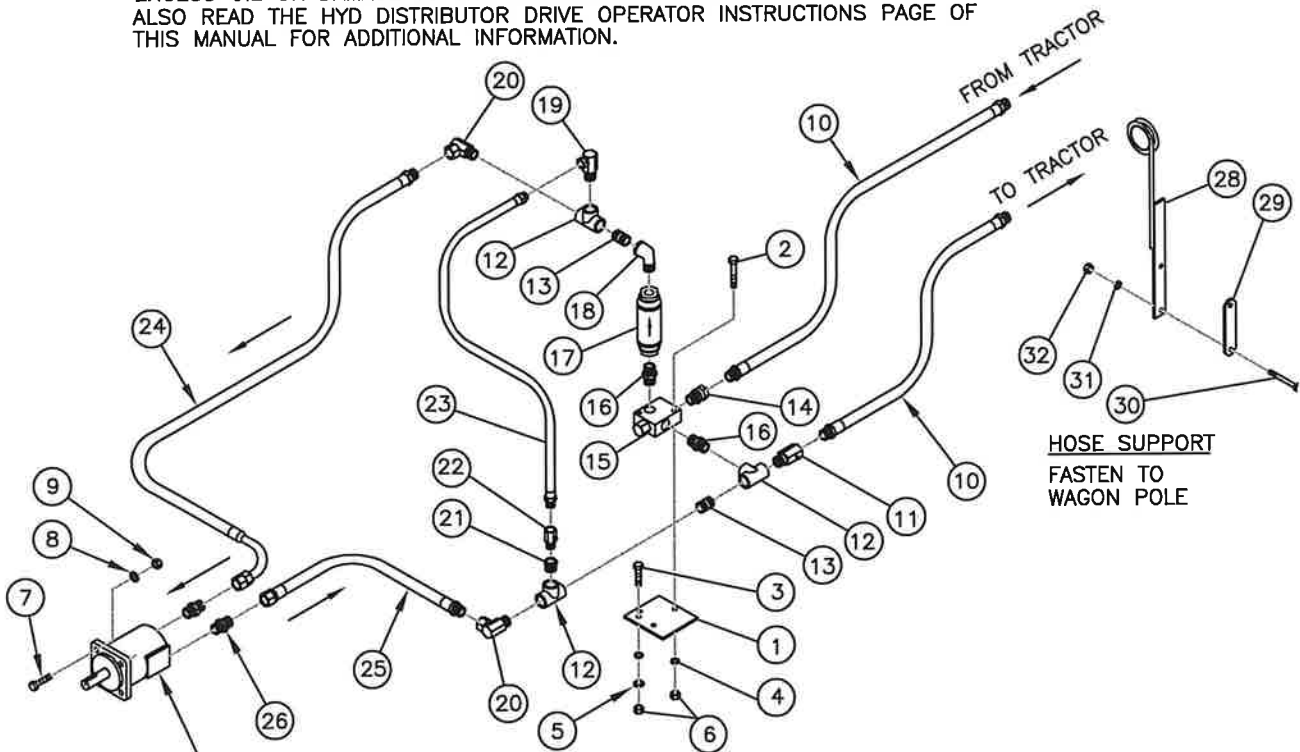
HYDRAULIC SETTING SPECIFICATIONS:  
2250 PSI MAXIMUM SYSTEM RELIEF SETTING  
8 GALLONS PER MINUTE MIN/ 8.5 GPM MAX HYD FLOW AT OPERATING SPEED

#### INSTRUCTIONS FOR SETTING DISTRIBUTOR SPINNER SPEED

A PROPER AMOUNT OF OIL FLOW IS REQUIRED TO OPERATE THE HYDRAULIC MOTOR AT 740 TO 750 RPM. THIS SHOULD TAKE 8 TO 8.5 GALLONS PER MINUTE FLOW RATE. ON TRACTORS WITH HYDRAULIC SYSTEM SPEED CONTROLS, SET THE SYSTEM FLOW RATE TO 8 TO 8.5 GPM AT OPERATING SPEED. ON TRACTORS WITHOUT HYDRAULIC SYSTEM SPEED CONTROL THE SET THE FLOW CONTROL TO 8 TO 8.5 GALLONS PER MINUTE THEN CHECK AND MARK THE FLOW METER (ITEM 17) AT THE CORRECT AMOUNT.

**IMPORTANT!**  
IF THE PROPER FLOW IS NOT MAINTAINED DAMAGE TO THE HYD MOTOR, OR MOTOR SEALS MAY RESULT!

ON TRACTORS WITHOUT ADJUSTABLE HYDRAULIC FLOW CONTROLS, A CASE DRAIN RETURN LINE MAY NEED TO BE ADDED TO YOUR UNIT TO CONTROL EXCESS OIL OR DAMAGE TO THE HYD MOTOR OR SEALS MAY RESULT. ALSO READ THE HYD DISTRIBUTOR DRIVE OPERATOR INSTRUCTIONS PAGE OF THIS MANUAL FOR ADDITIONAL INFORMATION.



FOR HYD MOTOR INFO SEE ASSY 48020809  
ON PAGE 34 OF THIS MANUAL

DISTRIBUTORS SHOULD ROTATE AT 740 TO 750 RPM  
TO OBTAIN REQUIRED SPREADER PERFORMANCE.  
USE A TACHOMETER TO VERIFY ACTUAL RPMS AND  
ADJUST FLOW RATE IF NEEDED TO OBTAIN DESIRED RPM.

HYDRAULIC SPREADER DRIVE  
 DUAL DISTRIBUTOR 2015 AND OLDER  
 (COMPLETE KIT COR916A)

800DDHYDPLBGLST  
 01-15-10

PARTS LIST

ITEM	PART NO.	DESCRIPTION	QTY
1	47009540	MOUNTING PLATE	1
2	18476834	BOLT, 3/8-16NC. X 2 1/2 SS	2
3	18026824	BOLT, 3/8-16NC. X 1 1/4 SS	2
4	18881201	LOCK WASHER, 3/8 SS	4
5	18991200	FLAT WASHER, 3/8 SS	2
6	18476800	HEX. NUT, 3/8-16NC. SS	4
7	18027417	BOLT, 1/2-13NC. X 2 SS	4
8	18991400	LOCK WASHER, 1/2 SS	4
9	18477400	HEX. NUT, 1/2-16NC. SS	4
10	610096	HYD. HOSE, 3/4 X 96", 3/4 PIPE X 1/2 PIPE ENDS	2
11	LT-75-00N	CHECK VALVE, 3/4 MPT X 3/4 FPT	1
12	72212	PIPE TEE, 3/4 FPT	3
13	72200	CLOSE NIPPLE, 3/4 MPT	2
14	6900-12-12	SWIVEL ADAPTER, #12 O-RING X 3/4 PIPE	1
15	02139	FLOW CONTROL VALVE, (SEE ILLUSTRATION FOR SETTING INFO)	1
16	6401-12-12	ADAPTER, #12 O-RING X 3/4 PIPE	2
17	701-020	FLOW METER, (SEE ILLUSTRATION FOR SETTING INFO)	1
18	72229	STREET ELBOW, 3/4 MPT X 3/4 FPT	1
19	1501-12-8	SWIVEL ADAPTER, 3/4 FPT X 1/2 FPT 90 DEG.	1
20	1501-12-12	SWIVEL ADAPTER, 3/4 FPT X 3/4 FPT 90 DEG.	2
21	72218	PIPE BUSHING, 1/2 FPT X 3/4 MPT	1
22	LT-50-0W	CHECK VALVE, 1/2 FPT X 1/2 MPT	1
23	609024	HYD. HOSE, 1/2 X 24", 1/2 PIPE EACH END	1
24	610162	HYD. HOSE, 3/4 X 162", 3/4 PIPE X #12 X 90 DEG. JICFS ENDS	1
25	611162	HYD. HOSE, 3/4 X 162", 3/4 PIPE X #12 JICFS ENDS	1
26	2404-12-12	ADAPTER, 3/4 NPT X #12 MJIC STRAIGHT	2
		HYDRAULIC MOTOR, DOUBLE ROTATION, (SEE KIT 48020809 ON PAGE 34 OF THIS MANUAL)	
	BN92392	REPLACEMENT SEAL KIT (FOR 02183 HYDRAULIC MOTOR)	OPTIONAL
28	47019995	HOSE SUPPORT (PIGTAIL)	1
29	47008463	MOUNTING STRAP	1
30	18056850	BOLT, HEX HEAD 3/8-16NC X 4 ZC	2
31	18891200	LOCKWASHER, 3/8 ZC	2
32	18436800	HEXNUT, 3/8-16 NC ZC	2
	607916	HYD HOSE KIT (HYD. SPINNER DRIVE) INCLUDES ITEMS 10, 23, 24, AND 25	
	607917A	FITTING PACKAGE (HYD. DUAL SPINNER DRIVE) TOMPKINS FITTINGS INCLUDES ITEMS 14, 16, 19, 20 AND 26	

# DUAL DISTRIBUTOR 2016 AND NEWER HYDRAULIC DRIVE PLUMBING FOR AGX10, AG800, AG600 AND AG500 (COMPLETE KIT COR917A)

800DDHYDPLBG916  
rev 10/01/18

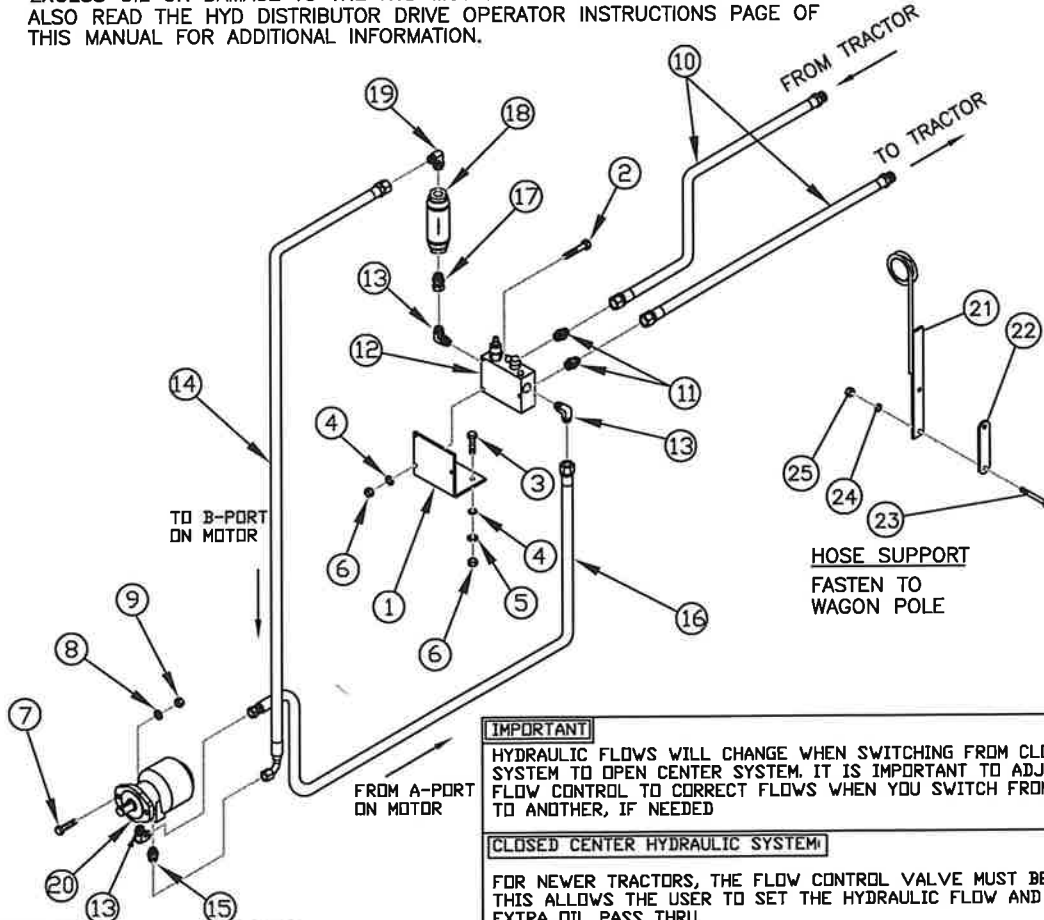
**HYDRAULIC SETTING SPECIFICATIONS:**  
2250 PSI MAXIMUM SYSTEM RELIEF SETTING  
15 GALLONS PER MINUTE MIN/ 15.5 GPM MAX HYD FLOW AT OPERATING SPEED

## INSTRUCTIONS FOR SETTING DISTRIBUTOR SPINNER SPEED

A PROPER AMOUNT OF OIL FLOW IS REQUIRED TO OPERATE THE HYDRAULIC MOTOR AT 740 TO 750 RPM. THIS SHOULD TAKE 15 TO 15.5 GALLONS PER MINUTE FLOW RATE. ON TRACTORS WITH HYDRAULIC SYSTEM SPEED CONTROLS, SET THE SYSTEM FLOW RATE TO 15 TO 15.5 GPM AT OPERATING SPEED. ON TRACTORS WITHOUT HYDRAULIC SYSTEM SPEED CONTROL THE SET THE FLOW CONTROL TO 15 TO 15.5 GALLONS PER MINUTE THEN CHECK AND MARK THE FLOW METER (ITEM 17) AT THE CORRECT AMOUNT.

**IMPORTANT!**  
IF THE PROPER FLOW IS NOT MAINTAINED DAMAGE TO THE HYD MOTOR, OR MOTOR SEALS MAY RESULT!

ON TRACTORS WITHOUT ADJUSTABLE HYDRAULIC FLOW CONTROLS, A CASE DRAIN RETURN LINE MAY NEED TO BE ADDED TO YOUR UNIT TO CONTROL EXCESS OIL OR DAMAGE TO THE HYD MOTOR OR SEALS MAY RESULT. ALSO READ THE HYD DISTRIBUTOR DRIVE OPERATOR INSTRUCTIONS PAGE OF THIS MANUAL FOR ADDITIONAL INFORMATION.



DISTRIBUTORS SHOULD ROTATE AT 740 TO 750 RPM TO OBTAIN SPREADER PERFORMANCE. USE A TACHOMETER TO VERIFY ACTUAL RPMs AND ADJUST FLOW RATE IF NEEDED TO OBTAIN DESIRED RPM.

<b>IMPORTANT!</b>
HYDRAULIC FLOWS WILL CHANGE WHEN SWITCHING FROM CLOSED CENTER SYSTEM TO OPEN CENTER SYSTEM. IT IS IMPORTANT TO ADJUST YOUR FLOW CONTROL TO CORRECT FLOWS WHEN YOU SWITCH FROM ONE TRACTOR TO ANOTHER, IF NEEDED
<b>CLOSED CENTER HYDRAULIC SYSTEM</b>
FOR NEWER TRACTORS, THE FLOW CONTROL VALVE MUST BE SET TO CLOSED THIS ALLOWS THE USER TO SET THE HYDRAULIC FLOW AND WILL NOT LET EXTRA OIL PASS THRU.
<b>OPEN CENTER HYDRAULIC SYSTEM</b>
FOR OLDER TRACTORS, THE FLOW CONTROL VALVE MUST BE SET TO OPEN. THIS WILL ALLOW EXTRA OIL TO BE PUMPED BACK TO THE TANK AT TANK PRESSURE WITHOUT DAMAGING THE VALVE/TRACTOR

HYDRAULIC SPREADER DRIVE  
 DUAL DISTRIBUTOR 2016 AND NEWER  
 (COMPLETE KIT COR917A)

800DDHYDPLBGLST16  
 05/19/22

PARTS LIST			
ITEM	PART NO.	DESCRIPTION	QTY
1	47017824	MOUNTING PLATE	1
2	18476834	BOLT, 3/8-16NC. X 2 1/2 SS	3
3	18026824	BOLT, 3/8-16NC. X 1 1/4 SS	2
4	18881201	LOCK WASHER, 3/8 SS	5
5	18991200	FLAT WASHER, 3/8 SS	2
6	18476800	HEX. NUT, 3/8-16NC. SS	5
7	18027417	BOLT, 1/2-13NC. X 2 SS	2
8	18991400	LOCK WASHER, 1/2 SS	2
9	18997400	HEX. NUT, 1/2-13NC. SS	2
10	612096	HYD. HOSE, 3/4 X 96", #12 JICFS X 1/2 PIPE ENDS	2
11	6400-12	ADAPTER, #12 MJIC X #12 O-RING	2
12	02138	FLOW CONTROL VALVE, (SEE ILLUSTRATION FOR SETTING INFO)	1
13	6801-12-10	90 DEG. ELBOW, #12 MJIC X #10 O-RING	3
14	611178	HYD. HOSE, 3/4 X 178", #12 JICFS X #12 JICFS X 90°	1
15	6400-12-10	ADAPTER, #12 MJIC X #10 O-RING	1
16	610178	HYD. HOSE, 3/4 X 178", #12 JICFS BOTH ENDS	1
17	6402-12-12	ADAPTER, #12 JICFS X #12 O-RING	1
18	701-019	FLOW METER, (SEE ILLUSTRATION FOR SETTING INFO)	1
19	445001	90 DEG. ELBOW, #12 MJIC X #12 O-RING	1
20	02182	HYD. MOTOR, (TFO080WB080AAAB) [NOT INCLUDED, SEE NOTE]	1
21	47019995	HOSE SUPPORT (PIGTAIL)	1
22	47008463	MOUNTING STRAP	1
23	18056850	BOLT, HEX HEAD 3/8-16NC X 4 ZC	2
24	18891200	LOCKWASHER, 3/8 ZC	2
25	18436800	HEXNUT, 3/8-16NC ZC	2
	607916B	HYD HOSE KIT (INCLUDES ITEM 10, 14, AND 16)	
	607917B	HYD FITTING PKG (INCLUDES ITEMS 11, 13, 15, 17, AND 19)	

NOTE:  
 ITEM 20 - P/N: 02182 -- IS INCLUDED WITH DRIVE ASSEMBLY #48020809

# HYDRAULIC DISTRIBUTOR DRIVE OPERATING INSTRUCTIONS for AGX10, 800, 600 & 500 spreaders

## TRACTOR/SPREADER HYDRAULIC SYSTEM SPECIFICATIONS

Spreader distributor/spinner speed: 750 RPM

Tractor hydraulic system: 2250 psi maximum system relief setting

Single distributor units: 15 GPM to 15.5 GPM (gallons per minute) at operating speed.

Dual distributor units (2015 and older): 8 GPM to 8.5 GPM at operating speed

Dual distributor units (2016 and newer): 15 to 15.5 GPM at operating speed

### Single Distributor Units all models / Dual Distributor units (2016 and newer)

If outlets on the tractor hydraulic have a speed control, set the flow rate at 15 to 15.5 GPM, then set the flow regulator on the spreader to maximum speed (flow) to reduce heat buildup in the hydraulic system.

If the tractor does not have hydraulic system speed control set the flow regulator on the spreader at 15 GPM

### Dual Distributor Units Only (2015 and older)

If outlets on the tractor hydraulic system have a speed control, set the flow rate at 8 to 8.5 GPM, then set the flow regulator on the spreader to maximum speed (flow) to reduce heat buildup in the hydraulic system.

If the tractor does not have hydraulic system speed control set the flow regulator on the spreader at 8GPM

*(A case drain return line may need to be added to your unit to control excess oil flow or damage to the hyd. motor or seals may result.)*

IF YOUR DUAL DISTRIBUTOR IS 2015 AND OLDER, AND YOU HAVE HAD ISSUES WITH BLOWN SEALS BECAUSE OF EXCESS OIL FLOW, IT IS RECOMMENDED TO UPGRADE THE MOTOR TO P/N: 02182, AND MOUNTING FRAME P/N: 47009650, TO PREVENT FURTHER DAMAGE.

## OPERATING INSTRUCTIONS

1. Connect hydraulic lines to the tractor hydraulic system. If lines are connected backwards, the spinners will not turn, or turn backwards slowly.
2. Engage distributor drive
  - a. Reduce engine speed as slow as operating conditions allow. *(This will help minimize high pressure surges in the spreader & tractor hyd. systems.)*
  - b. Engage hydraulic valve control lever slowly.
  - c. Check flow meter for hydraulic oil flow to distributors. If no flow is indicated, the hyd. lines are connected backwards or the hydraulic valve lever was engaged in the wrong direction.
3. Disengaging distributor drive
  - a. Reduce engine speed if possible
  - b. Move hydraulic valve control lever to neutral position slowly. Do not move control lever past neutral as reverse flow could generate excessively high back pressure and damage motor seals

Note: Hydraulic systems temperature must be monitored during operation. If temperature exceeds the maximum operating temperature rating for your tractor  
**DO NOT OPERATE!**



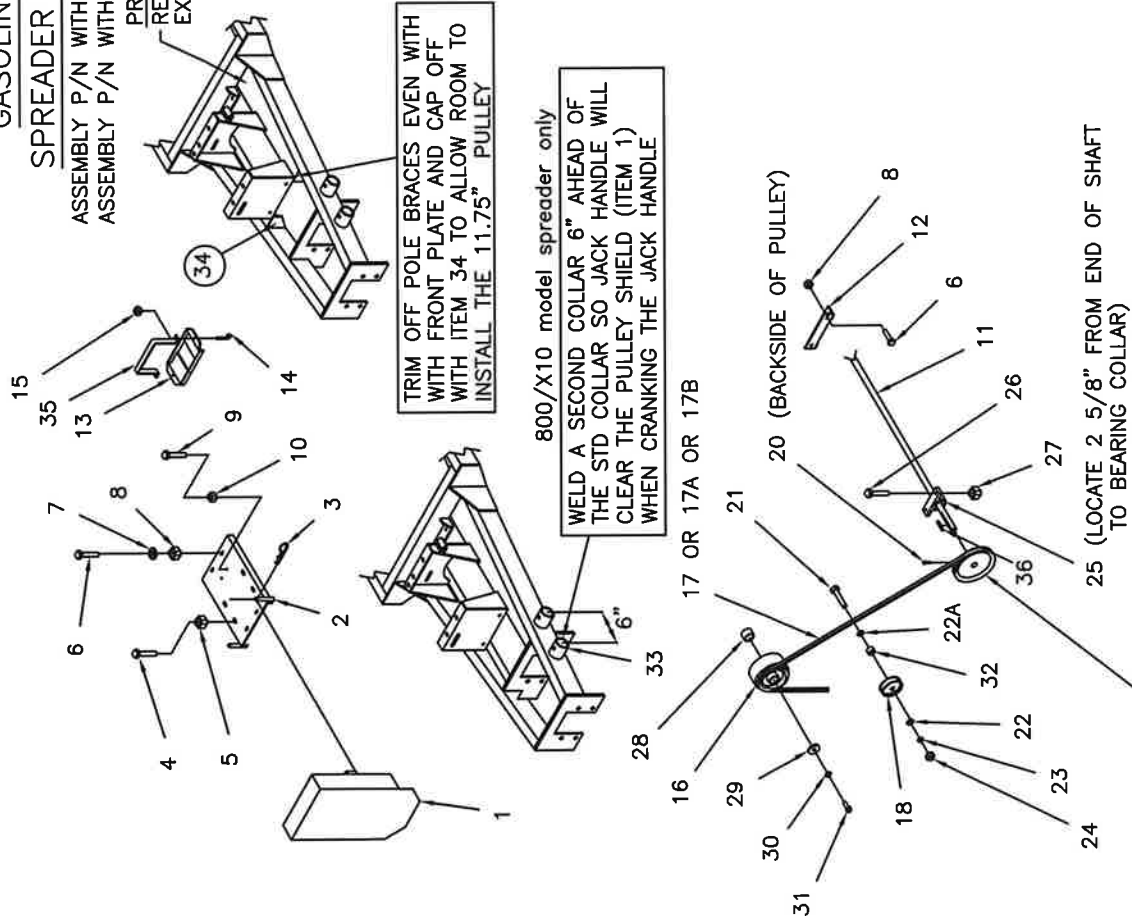
# GASOLINE ENGINE SPREADER SHAFT DRIVE

GASENGDR  
REV 12-16-21

ASSEMBLY P/N WITHOUT ENGINE: #48009511  
ASSEMBLY P/N WITH ENGINE: #48009515

**PRODUCTION NOTE:**

REQUIRED FOR 11.75" DIA. PULLEY ONLY, YOU MUST TRIM OFF EXISTING POLE BRACES, OR WELD IN 3223R & 3223L (800 ONLY) 3240L & 3240R (500 & 600)



ITEM	PART NO.	DESCRIPTION	QTY
1	47019511	PULLEY SHIELD	1
2	47019505	ENGINE MOUNT BASE (REF. HONDA 15HP P/N #GX390K1QNE2)	1
3	18590148	HAIRPIN BRIDGE	2
4	18047130	BOLT, 7/16-14NC. X 2	4
5	18496500	FLANGE NUT, 7/16-14NC.	4
6	18056822	BOLT, 3/8-16NC. X 1	6
7	18811200	FLAT WASHER, 3/8 DIA.	4
8	18496800	FLANGE NUT, 3/8-16NC.	6
9	18055722	BOLT, 1/4-20NC. X 1	2
10	18495700	FLANGE NUT, 1/4-20NC.	2
11	47009515	DRIVE LINE SHAFT	1
12	47019508	BEARING SUPPORT	1
13	47009516	BATTERY TRAY	1
14	47009519	J-BOLT, 5/16-18NC.	2
15	18496400	FLANGE NUT, 5/16-18NC.	2
16	160015	CENTRIFUGAL CLUTCH, for 11hp Honda	1
17	8047	DRIVE BELT (2010 AND OLDER)	1
17A	BP49	DRIVE BELT, (2011 THRU 2014)	1
17B	8056	DRIVE BELT (2015 TO PRESENT)	1
18	71403	IDLER PULLEY, 3 INCH (COMMON)	1
19	32473	LINE SHAFT PULLEY, 7.4 PITCH DIA.(2010 & OLDER)	1
19A	BK90	LINE SHAFT PULLEY, 8.75 PITCH DIA. (2011-2014)	1
19B	BK120	LINE SHAFT PULLEY, 11.75 PITCH DIA.(2015-PRESENT)	1
19C	H100	SPLIT TAPER BUSHING, (REQ'D ON 2015-PRESENT ONLY)	1
20	18767450	SO. HD. SET SCREW, 5/16-18NC. X 3/4	2
21	18057438	BOLT, 1/2-13NC. X 3 GR5 ZC	1
22	18851400	FLAT WASHER, 1/2 DIA. SAE ZC	1
22A	18811400	FLAT WASHER, 1/2 DIA. ZC	2
23	18891400	LOCK WASHER, 1/2 DIA.	1
24	18417400	HEX. NUT, 1/2-13NC.	1
25	05239	PILLOW BLOCK, W/ROLLER BEARING	1
26	18056826	BOLT, 3/8-16NC. X 1 1/2	1
27	18496800	FLANGE NUT, 3/8-16NC.	2
28	47009882	SPACER, CENTRIFUGAL CLUTCH	1
29	47019883	RETAINING CAP	1
30	18891200	LOCKWASHER, 3/8	1
31	18056821	BOLT, 3/8-24NF. X 2 (FINE THREAD)	1
32	47001799	SPACER BUSHING, (3/4"LONG)	1
33	10213	JACK MOUNTING COLLAR	1
34	47003224	FRAME END CAP (REQ'D W 11.75 PULLEY)	2
35	47005963	BATTERY RETAINER	1
36	47006519	KEY 1/4 X 1/4 X 1 1/2	1

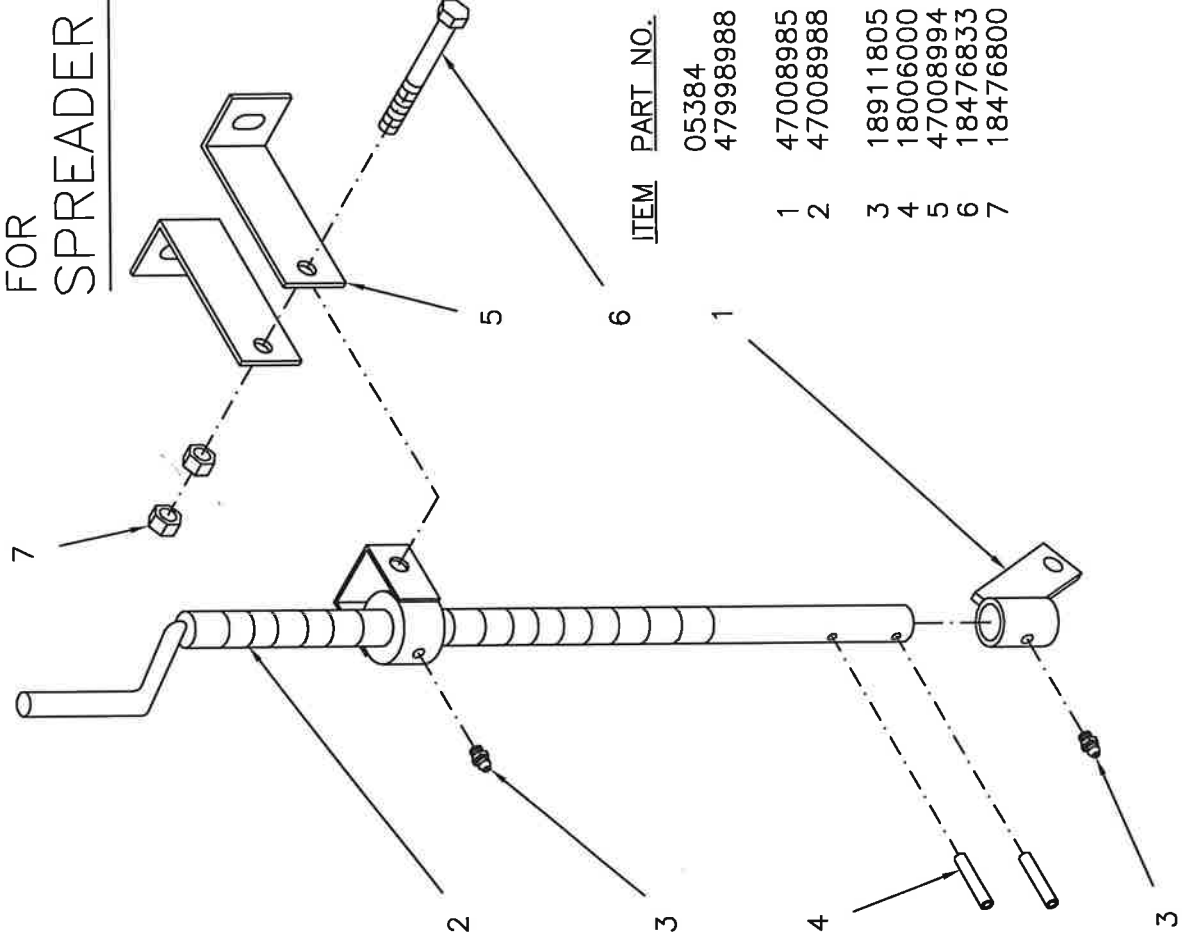
IMPORTANT NOTE: SET ENGINE RPM AT 1800 RPM. (7.4" PULLEY)  
1970 RPM. (8.75" PULLEY)  
2500 RPM. (11.75" PULLEY)

TO OBTAIN A CORRECT 750 RPM DISTRIBUTOR.

FOR MOTOR PARTS CONTACT LOCAL HONDA DEALER

# SCREW JACK

## FOR SPREADER BOX GATE

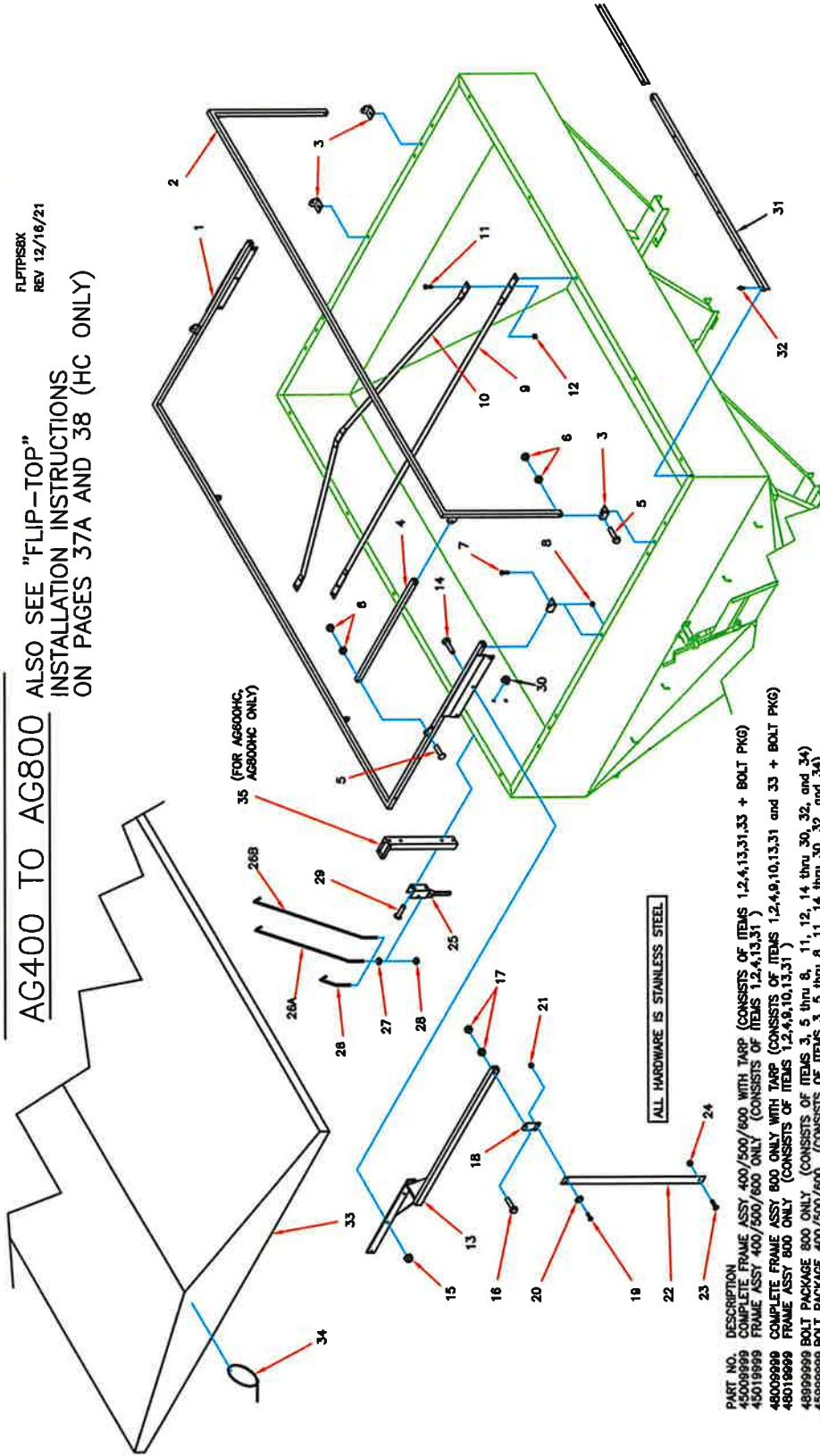


ITEM	PART NO.	DESCRIPTION	QTY.
1	05384	SCREW JACK COMPLETE	1
2	47998988	SCREW JACK ASSEMBLY INCLUDES ITEMS 1 TO 4	1
3	47008985	LOWER LUG	2
4	47008988	JACK SCREW BAR	2
5	18911805	INCLUDES JACK SCREW NUT	1
6	18006000	GREASE ZERK, STRAIGHT	2
7	47008994	SPRING PIN, 3/16 X 1	2
	18476833	MOUNTING BRACKET	1
	18476800	BOLT, 3/8-16NC. X 3	2
		HEX. NUT, 3/8-16NC.	2

# FLIP-TOP TARP

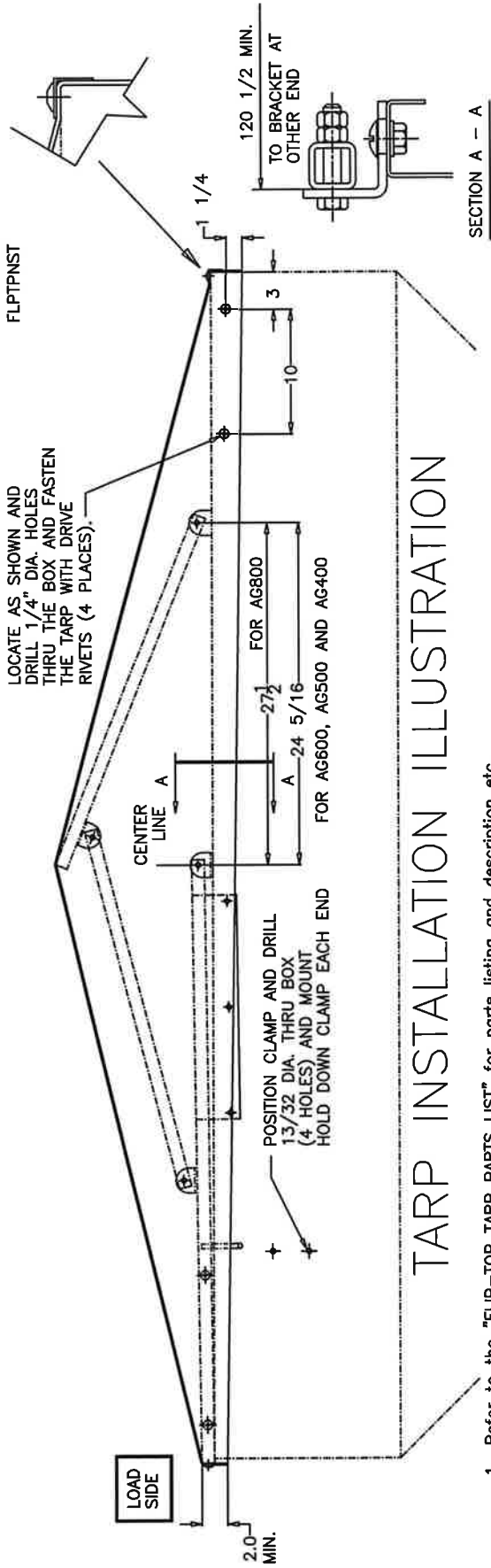
ALSO SEE "FLIP-TOP"  
INSTALLATION INSTRUCTIONS  
ON PAGES 37A AND 38 (HC ONLY)

FLTPRSBX  
REV 12/16/21



PART NO.	DESCRIPTION	QTY
45009999	COMPLETE FRAME ASSY 400/500/600 WITH TARP (CONSISTS OF ITEMS 1,2,4,13,31,33 + BOLT PKG)	1
45019999	FRAME ASSY 400/500/600 ONLY (CONSISTS OF ITEMS 1,2,4,13,31)	1
48009999	COMPLETE FRAME ASSY 800 ONLY WITH TARP (CONSISTS OF ITEMS 1,2,4,9,10,13,31 and 33 + BOLT PKG)	1
48019999	FRAME ASSY 800 ONLY (CONSISTS OF ITEMS 1,2,4,9,10,13,31)	1
48999999	BOLT PACKAGE 800 ONLY (CONSISTS OF ITEMS 3, 5 thru 8, 11, 12, 14 thru 30, 32, and 34)	1
45999999	BOLT PACKAGE 400/500/600 (CONSISTS OF ITEMS 3, 5 thru 8, 11, 14 thru 30, 32, and 34)	1

ITEM	PART NO.	DESCRIPTION	QTY
1	47037866	FOLDING FRAME, OUTSIDE AG800 ONLY	4
2	47037477	FOLDING FRAME, OUTSIDE AG800, AG500 AND AG400	1
3	47037867	FOLDING FRAME, CENTER AG800 ONLY	4
4	47037460	FOLDING FRAME, CENTER AG800 AND AG400	2
5	47037345	PIVOT BRACKET (28 5/16") AG800 ONLY	2
6	47034433	PIVOT TUBE (28 5/16")	8
7	47032828	FLANGE NUT, 3/8-18NC X 2	16
8	18033812	HEX NUT, 3/8-18NC X 2	16
9	18079602	FLANGE NUT, 3/8-18NC X 18NC	4
10	47031867	CROSSMEMBER, CENTER AG800 ONLY	1
11	18706822	TARP SUPPORT, TRUSS HEAD AG800 ONLY	4
12	18087900	FLANGE NUT, 3/8-18NC, AG500 ONLY	1
13	47005747	TARP HANDLE, (AG800, AG500 & AG400)	1
14	18028622	BOLT, 3/8-18NC X 1 HL. HD	3
15	18087900	FLANGE NUT, 3/8-18NC, AG800 ONLY	3
16	18079602	FLANGE NUT, 3/8-18NC X 2 1/2	2
17	47032818	END BRACKET, STRAP	1
18	18704421	BOLT, 5/16-18NC X 3/4	2
19	18081100	FLATWASHER, 5/16	2
20	18087700	FLANGE NUT, 5/16-18NC	2
21	18082836	STRAP FOR HANDLE	2
22	47032828	BOLT, 3/8-18NC X 1	2
23	18087900	FLANGE NUT, 3/8-18NC, AG800 ONLY	1
24	47034558	HOLD-DOWN ROD	2
25	47034558	HOLD-DOWN ROD	2
26	47034558	HOLD-DOWN ROD	2
27	18087900	FLANGE NUT, 3/8-18NC, AG500 ONLY	1
28	47005747	TARP HANDLE, (AG800, AG500 & AG400)	1
29	18028622	BOLT, 3/8-18NC X 1 HL. HD	3
30	18079602	FLANGE NUT, 3/8-18NC	2
31	47032818	BOLT, 5/16-18NC X 3/4	2
32	18087700	FLANGE NUT, 5/16-18NC	2
33	18033812	HEX NUT, 3/8-18NC X 2	16
34	18079602	FLANGE NUT, 3/8-18NC X 18NC	4
35	47031867	CROSSMEMBER, CENTER AG800 ONLY	1
36	47037476	TARP SUPPORT, TRUSS HEAD AG800 ONLY	4
37	18706822	BOLT, 3/8-18NC X 1	4
38	18087900	FLANGE NUT, 3/8-18NC, AG500 ONLY	1
39	47005747	TARP HANDLE, (AG800, AG500 & AG400)	1
40	18028622	BOLT, 3/8-18NC X 1 HL. HD	3
41	18087900	FLANGE NUT, 3/8-18NC, AG800 ONLY	3
42	18079602	FLANGE NUT, 3/8-18NC X 2 1/2	2
43	47032818	BOLT, 5/16-18NC X 3/4	2
44	18081100	FLATWASHER, 5/16	2
45	18087700	FLANGE NUT, 5/16-18NC	2
46	18082836	STRAP FOR HANDLE	2
47	47032828	BOLT, 3/8-18NC X 1	2
48	18087900	FLANGE NUT, 3/8-18NC, AG800 ONLY	1
49	47034558	HOLD-DOWN ROD	2
50	47034558	HOLD-DOWN ROD	2
51	47034558	HOLD-DOWN ROD	2
52	47034558	HOLD-DOWN ROD	2
53	373348	TARP, 95" X 120"	1
54	374788	TARP, 84" X 120" (AG800, AG500 & AG400)	1
55	609829	CABLE TIE, NYLON	5
56	47005988	FLIPTOP LATCH BRKT (AG800HC, AG500HC) 2	2
57	47003221	HOLD-DOWN ROD KIT AG800HC ONLY (INCLUDES ITEMS 28B, 29, 30, & 35)	2
58	47003221	HOLD-DOWN ROD KIT AG800HC ONLY (INCLUDES ITEMS 28B, 29, 30, & 35)	2
59	18478350	HEX NUT, 5/16-18NC	2
60	18478351	HEX NUT, SELF-LOCKING 5/16-18NC	2
61	18706822	BOLT, 3/8-18NC X 1	4
62	18087900	FLANGE NUT, 3/8-18NC	4
63	47037348	EDGE SUPPORT, TARP	2
64	TL54127	DRIVE RIVET, NYLON	32

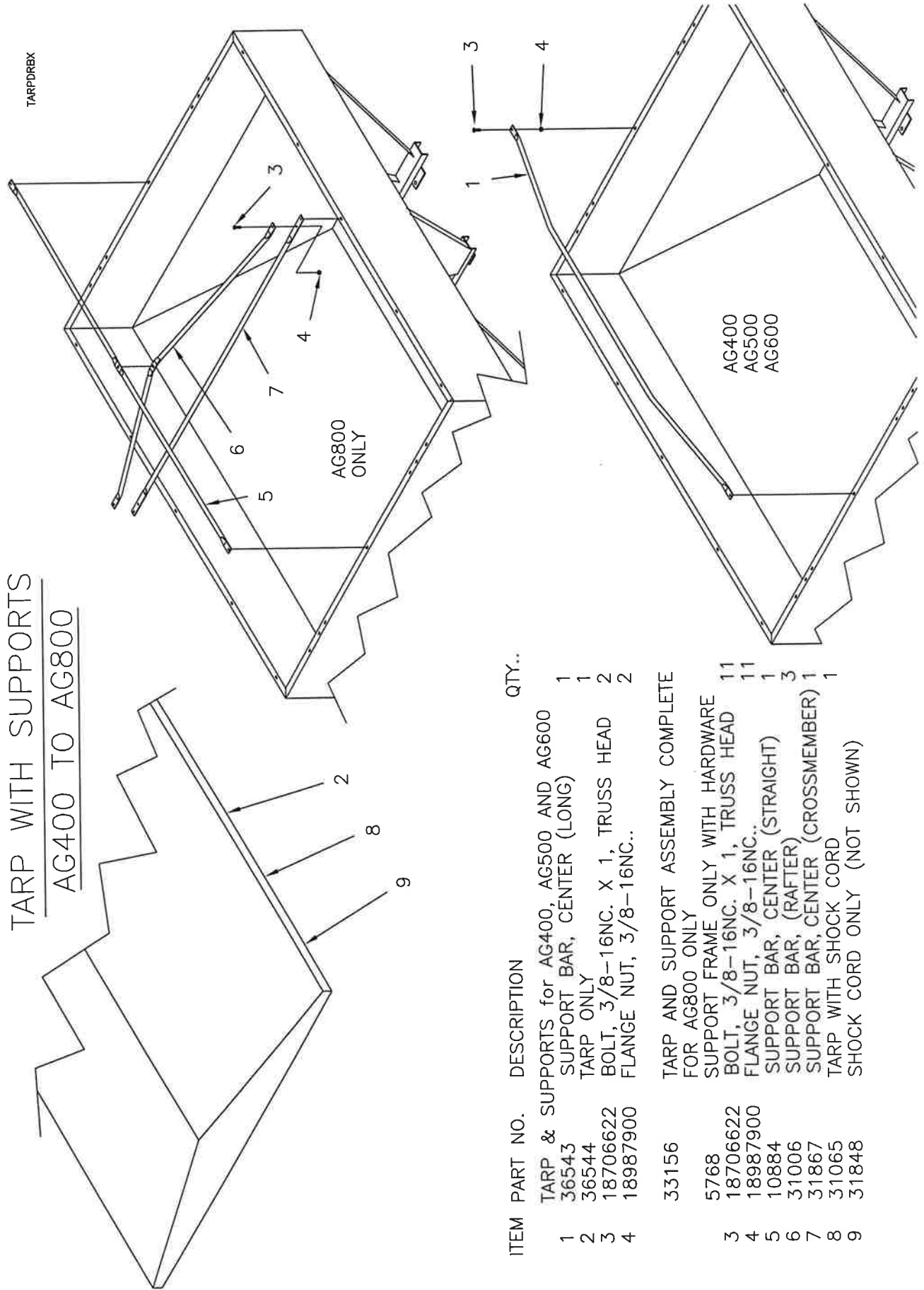


## TARP INSTALLATION ILLUSTRATION

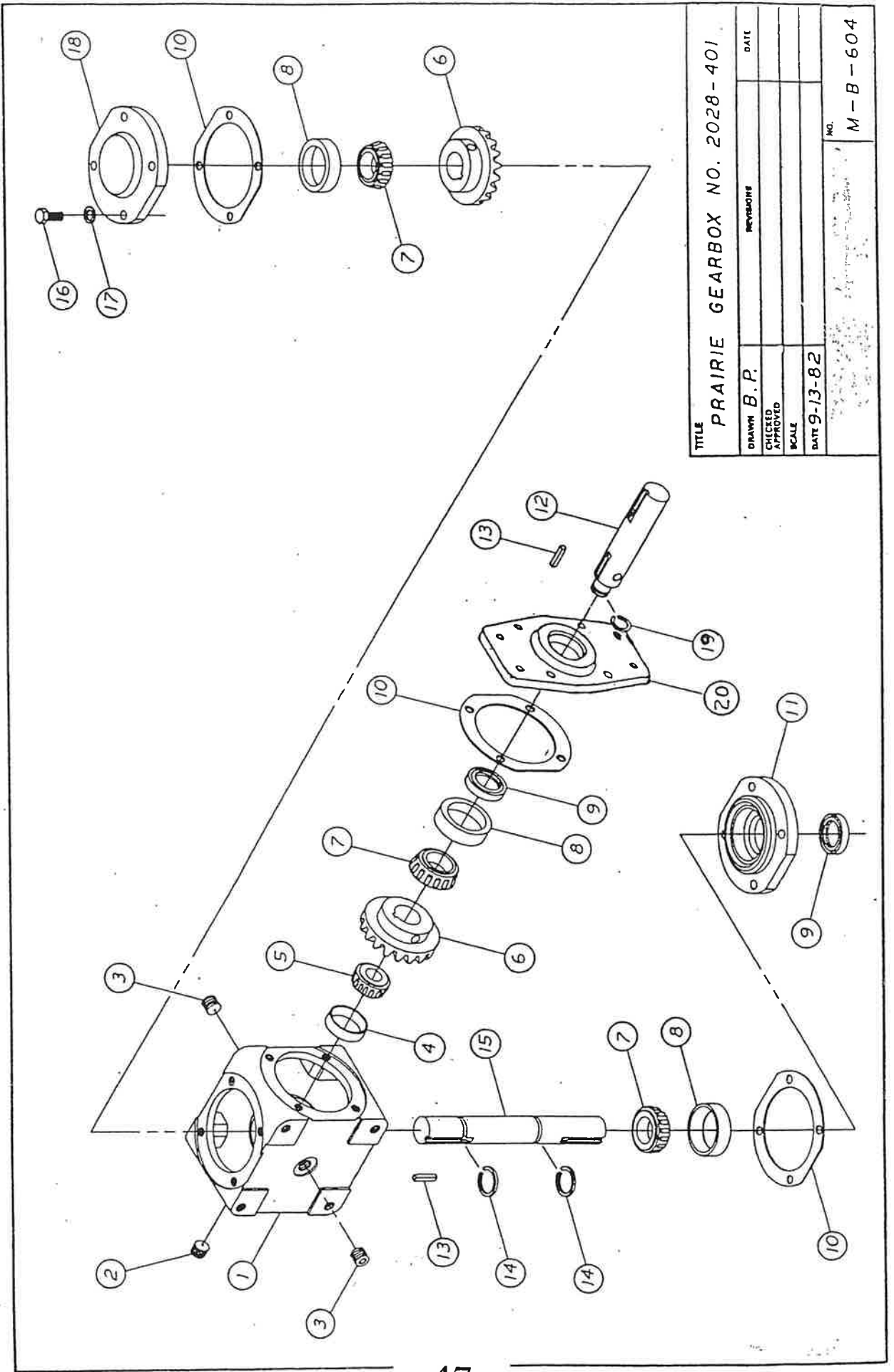
SECTION A - A

1. Refer to the "FLIP-TOP TARP PARTS LIST" for parts listing and description etc..
2. For AG800 only. Install the "crossmembers" items 9 and 10 with hardware items 11 and 12 (4 bolts and 4 flange nuts).
3. Fasten the "pivot brackets" item 3 to the top flange of the box with hardware items 7 and 8 (4 bolts & 4 flange nuts). Locate as shown above.
4. Assemble the "folding frames" items 1 and 2 to the "pivot brackets" with the hardware items 5 and 6 (4 bolts and 8 hex. nuts).
5. Assemble the "pivot tubes" item 4 to the "folding frames" with the hardware items 5 and 6 (4 bolts and 8 hex. nuts).
6. Drape the "tarp" item 33 over the "folding frames" and attach to the center folding frame with the "cable ties" item 34.
7. Standing on the "load side" stretch the tarp evenly along the side maintaining a minimum of 2" of overhang as shown. Note: there should be a 2" overhang on the opposite side also. If there is a 2" overhang on one side and a 3" overhang on the other side, split the difference by using a 2 1/2" overhang on each side. Check the overhang on the ends and maintain an equal overhang on each end.
8. With the overhang properly measured, locate and punch holes thru the tarp corresponding with the 1/4" holes, the the "outside folding frame" item 1 (12 places only). DO NOT PUNCH HOLES FOR THE ENDS AT THIS TIME. Fasten the tarp using the "drive rivets" item 32 (12) places. Note: start at the center and work towards the ends.
9. On the opposite side, stretch the tarp evenly along the side of the box and punch holes thru the tarp corresponding with the 1/4" holes in the top flange of the box. Place the edge support angle item 31 over the tarp and the top flange of the box. Sandwich the tarp between the frame and the support angle and fasten with (6) "drive rivets" item 32 in each angle. Note: start in the center and work towards the ends.
10. Locate and drill 1/4" diameter holes in the ends of the box using the 3" and 10" dimensions. Fasten with (4) "drive rivets" item 32. Maintain an equal overhang each end.
11. Locate and punch holes thru the tarp corresponding with the 1/4" holes in the ends of the "folding frame" item 1. Fasten with (4) "drive rivets" item 32. DO NOT STRETCH THE TARP TIGHT AROUND THE FRAMEWORK CORNERS.
12. Attach the "handles" item 13 to the folding frame with the hardware items 14 and 15 (3 hx. hd. bolts and 3 flange nuts). Assemble the "strap" item 22 and the "end bracket" item 18 with hardware items 19, 20 and 21 and assemble to the handle with hardware items 16 and 17. Fasten the other end at a convenient place on the box with hardware items 23 and 24.
13. Assemble the "hold-down clamp" parts item 25 to 28. Position the clamp assembly with the hook on the folding frame and mark and drill 13/32" diameter holes in the ends of the box. Mount the clamp assembly with hardware items 29 and 30.
14. Adjust the "hold-down rod" item 26 in the clamp assembly to get the desired locking effect.

# TARP WITH SUPPORTS AG400 TO AG800



ITEM	PART NO.	DESCRIPTION	QTY..
1	TARP & SUPPORTS for AG400, AG500 AND AG600		1
2	36543	SUPPORT BAR, CENTER (LONG)	1
3	36544	TARP ONLY	2
4	18706622	BOLT, 3/8-16NC. X 1, TRUSS HEAD	2
	18987900	FLANGE NUT, 3/8-16NC..	2
33156	TARP AND SUPPORT ASSEMBLY COMPLETE FOR AG800 ONLY		
5768	SUPPORT FRAME ONLY WITH HARDWARE		
3	18706622	BOLT, 3/8-16NC. X 1, TRUSS HEAD	11
4	18987900	FLANGE NUT, 3/8-16NC..	11
5	10884	SUPPORT BAR, CENTER (STRAIGHT)	1
6	31006	SUPPORT BAR, (RAFTER)	3
7	31867	SUPPORT BAR, CENTER (CROSSMEMBER)	1
8	31065	TARP WITH SHOCK CORD	1
9	31848	SHOCK CORD ONLY (NOT SHOWN)	



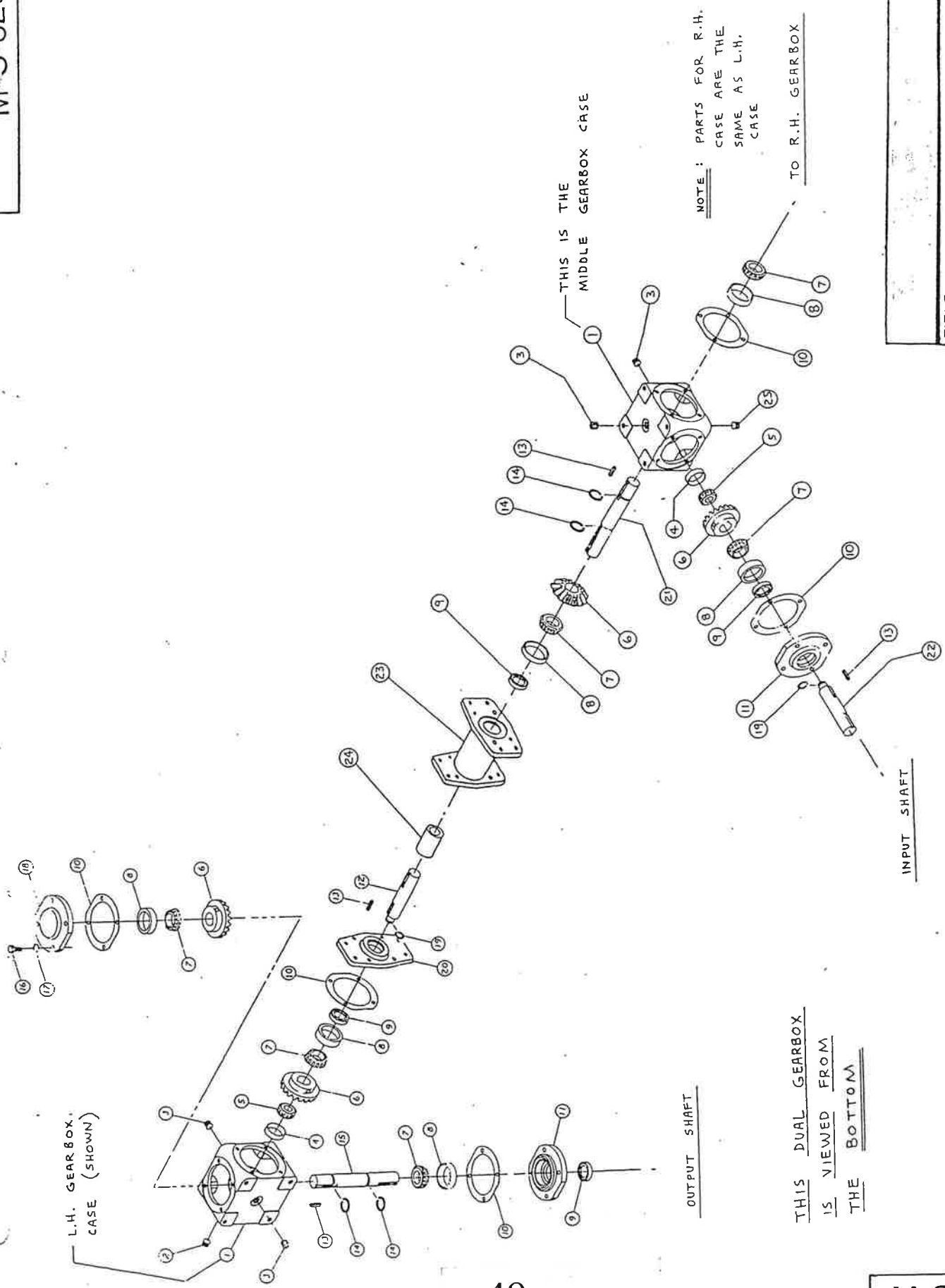
# PRAIRIE GEAR BOX

(1 TO 1 RATIO) SINGLE SPINNER

AG400 TO AGX10

REF. DRAWING M-B-604

ITEM	PART NO.	DESCRIPTION	QTY
	5359A	PRAIRIE GEARBOX COMPLETE	
1	95282	CASE	1
2	11106	PIPE PLUG, VENTED	1
3	11105	PIPE PLUG	1
4	11096	BEARING CUP	1
5	11095	BEARING CONE	1
6	11098	GEAR	2
7	10659	BEARING CUP	3
8	10658	BEARING CONE	3
9	11099	SEAL	2
10	11103	GASKET, .005	?
	95283	GASKET, .020	?
	95284	GASKET, .0075	?
11	11091	CAP	1
12	11092B	SHAFT	1
13	11101	KEY	2
14	95285	RETAINING RING	2
15	95265	SHAFT	1
16	50232	CAP SCREW, 5/16-18NC X 1 S.S.	12
17	50144	LOCKWASHER, 5/16 S.S.	12
18	95287	CAP	1
19	95286	RETAINING RING	1
20	98376	COVER, ADAPTER	1



NOTE: PARTS FOR R.H. CASE ARE THE SAME AS L.H. CASE

TO R.H. GEARBOX

THIS DUAL GEARBOX IS VIEWED FROM THE BOTTOM

TITLE	DUAL GEARBOX - PRAIRIE
PART NO.	M-C-820
DATE	12-29-92
SIZE	A

DRAWN D.W.V.



# PRAIRIE GEAR BOX

(1 TO 1 RATIO) DUAL SPINNER

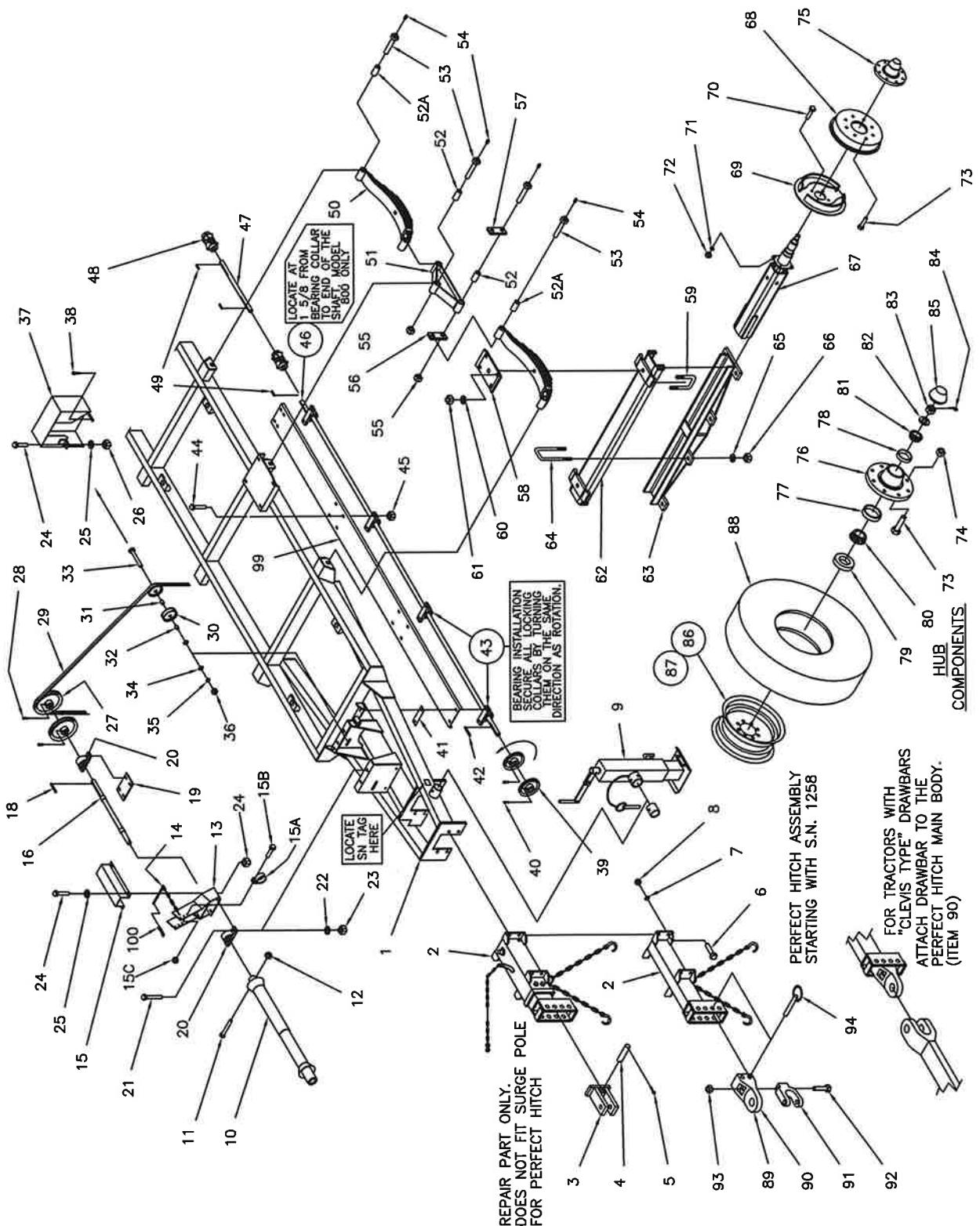
## AG400 TO AGX10

REF. DRAWING M-C-820

ITEM	PART NO.	DESCRIPTION	QTY
	5350A	PRAIRIE GEARBOX COMPLETE	
1	98377	CASE	3
2	11106	PIPE PLUG, VENTED	2
3	11105	PIPE PLUG	6
4	11096	BEARING CUP	3
5	11095	BEARING CONE	3
6	11098	GEAR	6
7	10659	BEARING CUP	9
8	10658	BEARING CONE	9
9	11099	SEAL	7
10	11103	GASKET, .005	?
	95283	GASKET, .020	?
	95284	GASKET, .0075	?
11	11091	CAP	3
12	11092B	SHAFT	2
13	11101	KEY	6
14	95285	RETAINING RING	6
15	95265	SHAFT	2
16	50232	CAP SCREW, 5/16-18NC X 1 S.S.	28
17	50144	LOCKWASHER, 5/16 S.S.	28
18	95287	CAP	2
19	95286	RETAINING RING	3
20	98376	COVER, ADAPTER	2
21	98378	SHAFT, THRU	1
22	98379	SHAFT, INPUT	1
23	98380	HOUSING, CONNECTING	1
24	98381	COUPLING	2
25	98382	T-VENT	1

# AG800/AGX10 WAGON

AG800WGN  
REV 12/16/21



LOCATE AT 1/8" FROM BEARING COLLAR TO END OF THE SHAFT MODEL BOG ONLY

BEARING INSTALLATION SECURE ALL LOCKING COLLARS BY TURNING THEM ON THE SAME DIRECTION AS ROTATION.

LOCATE SN TAG HERE

REPAIR PART ONLY. DOES NOT FIT SURGE POLE FOR PERFECT HITCH

PERFECT HITCH ASSEMBLY STARTING WITH S.N. 1258

FOR TRACTORS WITH "CLEVIS TYPE" DRAWBARS ATTACH DRAWBAR TO THE PERFECT HITCH MAIN BODY. (ITEM 90)

HUB COMPONENTS

# AG800/AGX10 WAGON PARTS LIST

AG800LSA  
RV 12/7/23

PRODUCTION YEARS 1982 TO PRESENT

ITEM	PART NO.	DESCRIPTION	QTY.
1	47009406	MAIN FRAME	1
2	47009511	SOLID POLE ASSEMBLY (1 1/4 DIA HOLES)	1
STARTING 1982 PROD., ENDING S.N. 1257			
OR	FOR PERFECT HITCH (2001 PROD) STARTING S.N. 1258		
	47009692	SOLID POLE ASSEMBLY	1
	FOR SURGE POLE, SEE BRAKE PACKAGE LIST		
3	47009523	HITCH ASSEMBLY for 47009511	1
STARTING 1982 PROD., ENDING S.N. 1257			
4	47001676	HITCH PIN, 1 1/4 X 5 1/4	1
5	18561030	COTTER PIN, 1/4 X 2	2
6	18057930	BOLT, 5/8-11NC. X 2	8
7	18891600	LOCKWASHER, 5/8	8
8	18417900	HEX. NUT, 5/8-11NC	8
9	70924	JACK COMPLETE, (FINISH PAINTED)	1
10	01041	PTO SHAFT, COMPLETE	1
11	18056836	BOLT, 3/8-16NC. X 2 3/4	1
12	18459200	HEX. NUT (NYLOK) 3/8-16NC.	1
13	47009315	PTO STAND	1
14	47007146	PTO PIN ASSEMBLY	1
15	47002307	PTO SHIELD	1
15A	41859	9/16 CLAMP, .343 HOLE	2
15B	18706422	SCREW MACH SL TR 5/16 X 1	S.S.2
15C	18476350	HEX. NUT, 5/16-16NC.	S.S.2
16	03258	JACK SHAFT, 1 X 22 3/4	1
17	OMITTED		
18	47006359	SQUARE KEY, 1/4 X 3	1
19	47001785	SPACER, BEARING BLOCK	1
20	05239	PILLOW BLOCK, W/ ROLLER BEARING	2
21	18051628	BOLT, 3/8-16NC. X 1 3/4	4
22	18811200	FLATWASHER, 3/8	4
23	18496800	FLANGE NUT, 3/8-16NC.	4
24	18056822	BOLT, 3/8-16NC. X 1	5
25	18811200	FLATWASHER, 3/8	5
26	18496800	FLANGE NUT, 3/8-16NC.	5
27	10093	PULLEY, 7.4 PITCH DIA.	2
28	18767450	SQ. HD. SET SCREW, 5/16-18NC. X 3/4	4
29	31208	BELT, B43 (46" OUTSIDE)	2
30	71403	PULLEY, FLAT IDLER	2
31	47001799	SPACER, PULLEY - 3/4 LONG	1
32	47001799	SPACER, PULLEY - 3/4 LONG	1
33	18057450	BOLT, 1/2-13NC. X 4 1/2	1
34	18811400	FLATWASHER, 1/2	2
35	18891400	LOCKWASHER, 1/2	1
36	18417400	HEX. NUT, 1/2-13NC.	1
37	47009235	SHIELD, PULLEY	1
38	18560722	COTTER PIN, 5/32 X 1	1
39	10328	PULLEY, 5.4 PITCH DIA.	2
40	18767450	SQ. HD. SET SCREW, 5/16-18NC. X 3/4	4
41	47006631	SHIM (.075) FOR PILLOW BLOCK	0-4
	47006632	SHIM (.250) FOR PILLOW BLOCK	0-4
42	47006359	SQUARE KEY, 1/4 X 3	1
43	05239	PILLOW BLOCK, W/ ROLLER BEARING	4
	10499	(OPTIONAL FOR REPAIRS)	
		WOOD BEARING PILLOW BLOCK	
44	18056826	BOLT, 3/8-16NC. X 1 1/2	8
45	18496800	FLANGE NUT, 3/8-16NC.	8
46	47006239	DRIVE SHAFT, 1 X 118	1
47	47006639	SPINNER SHAFT, 1" DIA.	1
48	01340	U-JOINT COUPLING	2
49	47006360	SQUARE KEY, 1/4 X 1 1/2 LG.	3
50	47005625	SPRING ASSEMBLY, INCLUDES BUSHING ITEM 52 (2 EACH)	4
51	47009152	EQUALIZER, INCLUDES BUSHING ITEM 52 (3 EACH)	2
52	47001529	BRONZE BUSHING, (EQUALIZER)	6
52A	47001529S	SPLIT BUSHING, (SPRINGS)	8
53	47001528	SPRING BOLT, 1"-8NC. X 5	14
54	18901805	GREASE ZERK, STRAIGHT	14
55	18449000	JAM NUT, 1-8NC.	14
56	47001497	HANGER STRAP, INSIDE (TAPPED)	4
57	47001496	HANGER STRAP, OUTSIDE	4
58	47002308	TOP SPRING PLATE	4
59	47001804	U-BOLT, 3/4-10NC.	8
60	18891800	LOCKWASHER, 3/4	16
61	18418400	HEX. NUT, 3/4-10NC.	16
62	47009107	AXLE, TOP ASSEMBLY	2
63	47009106	AXLE, BOTTOM ASSEMBLY	2
64	47002309	U-BOLT, 3/4-10NC.	8
65	18811800	FLATWASHER, 3/4	16

ITEM	PART NO.	DESCRIPTION	QTY.
66	18458400	LOCKNUT, CTR 3/4-10NC ZP	16
67	47009311	STUB AXLE, STANDARD TRACK	4
	47109311	STUB AXLE, 80" TO 88" TRACK	OPT.
ITEMS 68 TO 72 SEE "BRAKE PACKAGE			
73	47005041	WHEEL BOLT, 9/16-18NF.	32
74	47005040	WHEEL NUT, 9/16-18NF.	32
75	47009712	HUB COMPLETE,	4
INCLUDES ITEMS 76, 78 THRU 81 AND ITEM 85			
76	47005712	HUB WITH CUPS, ITEMS 77 & 78	4
77	47005372	BEARING CUP, INNER	4
78	47005272	BEARING CUP, OUTER	4
79	(SEE NOTE)	GREASE SEAL	4
80	47005378	BEARING CONE, INNER	4
81	47005279	BEARING CONE, OUTER	4
82	18000017	SPINDLE WASHER, 1 X 3/16	4
83	18489100	SLOTTED NUT, 1-14NF	4
84	18560830	COTTER PIN, 3/16 X 1 1/2	4
85	47005917	DUST CAP	4
86	47005816	WHEEL RIM, 11C X 16.1 (8 ON 8)	4
	47006023	WHEEL RIM, 22.5 X 8.25 (8 ON 8)	OPT.
87	20120012	VALVE STEM	4
88	32297	TIRE, 16.5 X 16.1 (10 PLY)	4
	179906	TIRE, 11 X 22.5 (NYLON TRANSPORT)	OPT.
	47005805	BRAKE PACKAGE COMPLETE	1
2	47015050	"DICO" SURGE POLE for PERFECT HITCH (CURRENT)	
	FROM 2005	PROD. S.N. 1404 TO PRESENT	1
OR	47009648 PULL HEAD WITH 1 DIA. HOLES. REPAIR PART ONLY FOR SURGE POLE WITH "DICO" ACTUATOR UP TO 1998 PROD. ENDING S.N. 1183		
OR	47009649 SURGE POLE W/ "DEMCO" ACTUATOR 1 AND PULL HEAD WITH 1 1/4 DIA. HOLES - NOW IS "DICO" FROM 1998 PROD. STARTING (S.N. 1184 THRU 1403)		
OR	47009691 SURGE POLE W/"DEMCO" ACTUATOR FOR PERFECT HITCH, FROM 2001 SN 1258-1403 (OBSOLETE)		
68	47005650	BRAKE DRUM, (13")	4
69	47005652	BRAKE CLUSTER, L.H. (13")	2
	47005651	BRAKE CLUSTER, R.H. (13")	2
70	18057522	BOLT, 1/2-20NF. X 1	16
71	18891400	LOCKWASHER, 1/2	16
72	18437500	HEX. NUT, 1/2-20NF.	16
	47005663	HOSE BRACKET	5
	47005664	HOSE CLIP	4
	47005666	LINE CLIP	20
	18721018	SCREW, #10 X 1/2, SELF-TAP	20
	18721019	SCREW, 1/4 X 3/4 SELF-TAP	4
	47005680	TEE, F X F X M	1
	47005685	UNION TEE	2
	47005680	UNION	2
	47005665	BRAKE HOSE X 18"	1
	47005667	BRAKE HOSE X 25"	4
	47005682	TUBE, BRAKE LINE X 4"	2
	47005692	TUBE, BRAKE LINE X 20"	2
	-	-	-
	47005695	TUBE, BRAKE LINE X 51"	2
	47005688	TUBE, BRAKE LINE X 60"	2
PERFECT HITCH, STARTING S.N. 1258			
89	omitted		
90	PPI-301V3	PERFECT HITCH,	1
91	PPI-206VR	PERFECT HITCH CLEVIS WITH 1 INCH ROUND HOLE, (STANDARD)	1
	PPI-208VR	PERFECT HITCH CLEVIS WITH 1 1/4" OBOURD HOLE, (OPTIONAL)	
92	18058452	BOLT, 3/4-10NC. X 5, GR. 8	1
93	18458452	LOCKNUT, 3/4-10NC. GR. 8	1
94	600182	HITCH PIN, 1 X 6	2
95	-	-	-
96	-	-	-
97	-	-	-
98	-	-	-
99	47009624	LINE SHAFT SHIELD	OPT.
100	18590091	PIN (#207 HAIRPIN TYPE)	1

	STD	88"
4	4	4
2	2	2
2	2	2
16	16	16
16	16	16
16	16	16
5	5	5
4	4	4
20	20	20
20	20	20
4	4	4
1	1	1
2	2	2
2	6	6
1	1	1
4	4	4
2	6	6
2	2	2
-	-	-
2	2	2
2	2	2

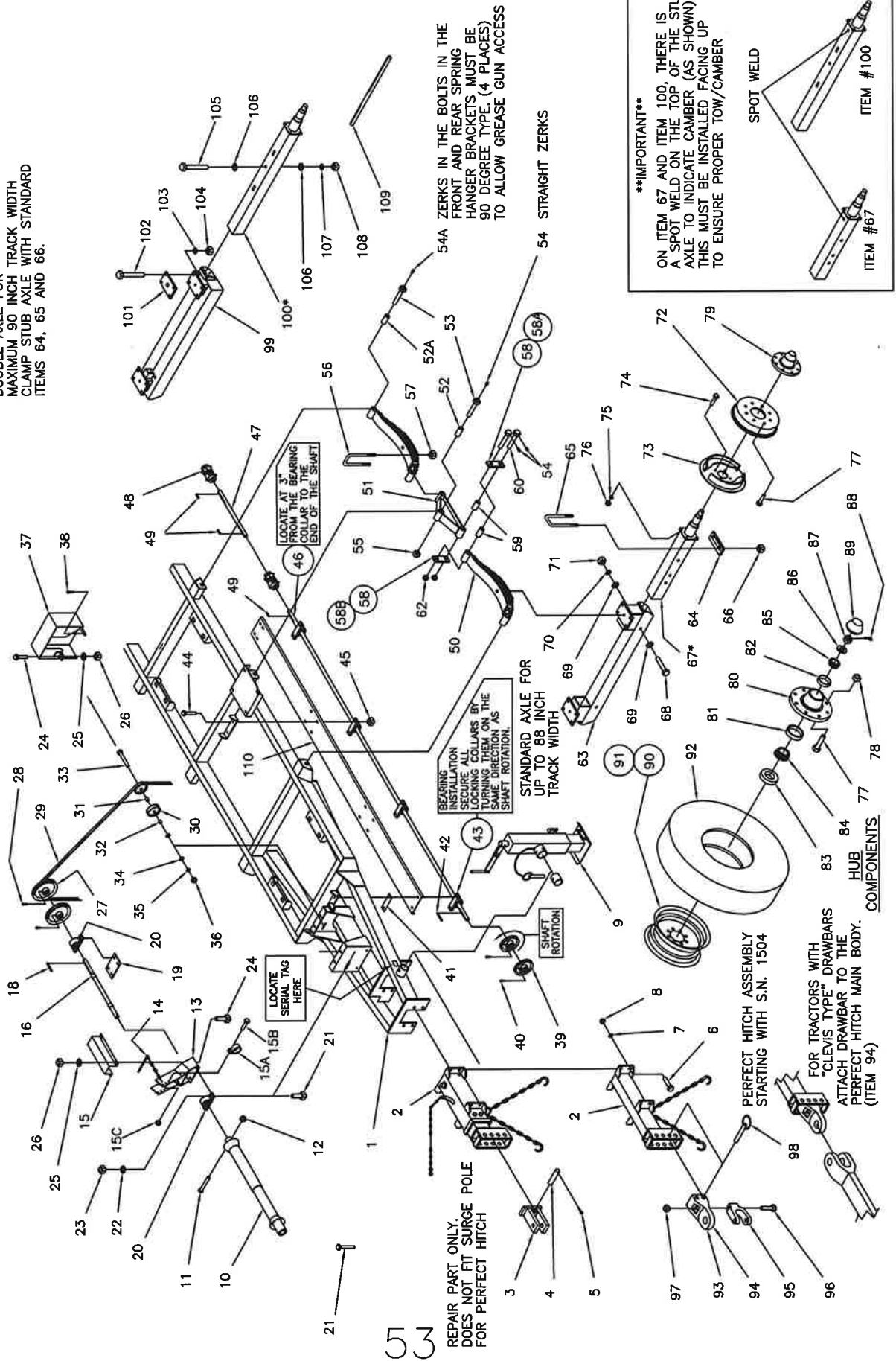
NOTE:  
IF YOUR HUB IS SMOOTH W/ A GREASE ZERK, ORDER GREASE SEAL P/N: 906481  
IF YOUR HUB HAS RIBS AND NO GREASE ZERK, ORDER GREASE SEAL P/N: 47005017

P/N: 47005805 ALSO CONTAINS P/N: 71954 WHEEL STUDS QTY 32 (NOT SHOWN)

# AG600 WAGON

AG600WGN  
REV 7/2/21

DOUBLE AXLE FOR  
MAXIMUM 90 INCH TRACK WIDTH  
CLAMP STUB AXLE WITH STANDARD  
ITEMS 64, 65 AND 66.



# AG600 WAGON PARTS LIST

AG600LSA  
RV 12/7/23

PRODUCED FROM FALL 1997 TO PRESENT

ITEM	PART NO.	DESCRIPTION	QTY.
1	47009186	MAIN FRAME	1
2	47009510	SOLID POLE ASSEMBLY (1" DIA HOLES)	1
	UP TO 1998	PROD. ENDING S.N. 1298	
	47009511	SOLID POLE ASSEMBLY (1 1/4" DIA HOLES)	1
	FROM 1998	PROD. STARTING S.N. 1299	
OR	FOR PERFECT HITCH (2001 PROD) STARTING S.N. 1504		
	47009692	SOLID POLE ASSEMBLY (PRFCT HCH)	1
2	SURGE POLE, SEE BRAKE PACKAGE LIST		
3	47009285	HITCH ASSEMBLY FOR 47009510	1
	UP TO 1998	PROD. ENDING S.N. 1298	
4	47001319	HITCH PIN, 1 X 5 5/8	1
5	18561026	COTTER PIN, 1/4 X 1 1/2	2
3	47009523	HITCH ASSEMBLY FOR 47009511	1
	FROM 1998	PROD. STARTING S.N. 1299	
	ENDING S.N. 1503		
4	47001676	HITCH PIN, 1 1/4 X 5 1/4	1
5	18561030	COTTER PIN, 1/4 X 2	2
6	18057930	BOLT, 5/8-11NC. X 2	8
7	18891600	LOCKWASHER, 5/8	8
8	18417900	HEX. NUT, 5/8-11NC	8
9	70924	JACK COMPLETE, (FINISH PAINTED)	1
10	01041	PTO SHAFT, COMPLETE	1
11	18056836	BOLT, 3/8-16NC. X 2 3/4	1
12	18459200	HEX. NUT (NYLON) 3/8-16NC.	1
13	47009315	PTO STAND	1
14	47007146	PTO PIN ASSEMBLY	1
15	47002307	PTO SHIELD	1
15A	41859	9/16 CLAMP, .343 HOLE	2
15B	18026418	BOLT, 5/16-16NC. X 3/4	S.S. 2
15C	18476350	HEX. NUT, 5/16-16NC.	S.S. 2
16	03258	JACK SHAFT, 1 X 22 3/4	1
17	OMITTED		
18	47006359	SQUARE KEY, 1/4 X 3	1
19	47001785	SPACER, BEARING BLOCK	1
20	05239	PILLOW BLOCK, W/ ROLLER BEARING	2
21	18056828	BOLT, 3/8-16NC. X 1 3/4	4
22	18811200	FLATWASHER, 3/8	4
23	18496800	FLANGE NUT, 3/8-16NC.	4
24	18056822	BOLT, 3/8-16NC. X 1	5
25	18811200	FLATWASHER, 3/8	5
26	18496800	FLANGE NUT, 3/8-16NC.	5
27	10093	PULLEY, 7.4 PITCH DIA.	2
28	18767450	SQ. HD. SET SCREW, 5/16-18NC. X 3/4	4
29	31208	BELT, B43 (46" OUTSIDE)	2
30	71403	PULLEY, FLAT IDLER	2
31	47001799	SPACER, PULLEY - 3/4 LONG	1
32	47001799	SPACER, PULLEY - 3/4 LONG	1
33	18057450	BOLT, 1/2-13NC. X 4 1/2	1
34	18811400	FLATWASHER, 1/2	2
35	18891400	LOCKWASHER, 1/2	1
36	18417400	HEX. NUT, 1/2-13NC.	1
37	47009235	SHIELD, PULLEY	1
38	18560722	COTTER PIN, 5/32 X 1	1
39	10328	PULLEY, 5.4 PITCH DIA.	2
40	18767450	SQ. HD. SET SCREW, 5/16-18NC. X 3/4	4
41	47006631	SHIM (.075) FOR PILLOW BLOCK	0-4
	47006632	SHIM (.250) FOR PILLOW BLOCK	0-4
42	47006359	SQUARE KEY, 1/4 X 3	1
43	05239	PILLOW BLOCK, W/ ROLLER BEARING	4
	10499	(OPTIONAL FOR REPAIRS)	
	WOOD BEARING PILLOW BLOCK		
44	18056826	BOLT, 3/8-16NC. X 1 1/2	8
45	18496800	FLANGE NUT, 3/8-16NC.	8
46	47006239	DRIVE SHAFT, 1 X 118	1
47	47006639	SPINNER SHAFT, 1" DIA.	1
48	01340	U-JOINT COUPLING	2
49	47006360	SQUARE KEY, 1/4 X 1 1/2 LG.	3
50	47002080	SPRING ASSEMBLY, INCLUDES BUSHING ITEM 52 (2 EACH)	4
51	47007108	EQUALIZER, INCLUDES BUSHING ITEM 52 (3 EACH)	2
52	47001331	BRONZE BUSHING, (EQUALIZERS)	6
52	47001331S	SPLIT BUSHING, (SPRINGS)	8
53	47007145	SPRING BOLT, 1-BNC. X 3.88	6
54	18901805	GREASE ZERK, STRAIGHT (UP TO 2016) (2017 AND NEWER)	2
54A	18901806	90° GREASE ZERK	10
55	18449000	JAM NUT, 1-BNC.	6
56	44101152	U-BOLT, 1/2-13NC.	8
57	18457650	HEX. LOCKNUT, 1/2-13NC.	16
58	47001293	HANGER STRAP (UP TO 2016) 2017 AND NEWER	8
58A	47003492	OUTSIDE HANGER STRAP	4
58B	47003493	INSIDE HANGER STRAP (TAPPED)	4
59	47001318	STEEL INSERT (UP TO 2016) (2017 AND NEWER)	0
60	18057942	BOLT, 5/8NC X 3 3/4 (UP TO 2016)	8
	47003491	SPRING HANGER BOLT 1-8 X 3.56 (2017 AND NEWER)	8
61	OMITTED		
62	18457900	LOCKNUT, 5/8-11NC. (UP TO 2016)	8
	18449000	JAM NUT 1-8 NC (2017 AND NEWER)	8
63	47008653	OUTER AXLE	2
64	47009404	CLAMP PLATE	4

ITEM	PART NO.	DESCRIPTION	QTY.
65	47006518	U-BOLT, 3/4-10NC.	4
66	18458400	LOCKNUT, 3/4-10NC.	8
67	47008659	STUB AXLE, STD. 60", 72", 78" WTRK	4
	47108659	STUB AXLE, 70" 80" 88" WTRACK	OPT.
68	18057954	BOLT, 5/8-11NC. X 5	4
69	18811600	FLATWASHER, 5/8	8
70	18891600	LOCKWASHER, 5/8	4
71	18417900	HEX. NUT 5/8-11NC.	4
	ITEMS 72 TO 76	SEE "BRAKE PACKAGE"	
77	47005041	WHEEL BOLT, 9/16-18NF.	32
78	47005040	WHEEL NUT, 9/16-18NF.	32
79	47009712	HUB COMPLETE,	4
	INCLUDES	ITEMS 80, 83 THRU 85 AND ITEM 89	
80	47005712	HUB WITH CUPS, 81 AND 82	4
81	47005372	BEARING CUP, INNER	4
82	47005272	BEARING CUP, OUTER	4
83	(SEE NOTE)	GREASE SEAL	4
84	47005378	BEARING CONE, INNER	4
85	47005279	BEARING CONE, OUTER	4
86	18000017	SPINDLE WASHER, 1 X 3/16	4
87	18489100	SLOTTED NUT, 1-14NF	4
88	18560830	COTTER PIN, 3/16 X 1 1/2	4
89	47005917	DUST CAP	4
90	47005816	WHEEL RIM, 11C X 6.1 (8 ON 8)	4
	47001016	WHEEL RIM, 10 X 16 (8 ON 8)	OPT.
	47006023	WHEEL RIM, 22.5 X 8.25 (8 ON 8)	OPT.
91	20120012	VALVE STEM	4
92	20121416	TIRE, 14L X 16.1 (8) PLY	4
	30459	TIRE, 16.5 X 16.1 (8) PLY	OPT.
	339490	TIRE, 12L X 16 (12) PLY	OPT.
	179906	TIRE, 11L X 22.5 (NYLON TRANSPORT)	OPT.
		OPTIONAL BRAKE PACKAGES	
	47005860	2 WHEEL BRAKE PACKAGE COMPLETE	
	47005805	4 WHEEL BRAKE PACKAGE COMPLETE	
2	47015050	"DICO" SURGE POLE FOR PERFECT HITCH (CURRENT) (FROM 2005 PROD. STARTING S.N. 1846 AND UP)	
OR	47009648	PULL HEAD WITH 1 DIA HOLES REPAIR PART ONLY FOR SURGE POLE WITH "DICO" ACTUATOR UP TO 1998 PROD. ENDING S.N. 1298	
OR	47009649	SURGE POLE REPLACEMENT DEMCO (now DICO) AND PULL HEAD WITH 1 1/4 DIA. HOLES FROM 1998 PROD. STARTING S.N. 1299	
OR	47009691	SURGE POLE FOR PERFECT HITCH FROM 2001 PROD. STARTING S.N. 1504 THRU 1845 (OBSOLETE)	
72	47005650	BRAKE DRUM, (13")	2
73	47005652	BRAKE CLUSTER, L.H. (13")	4
	47005651	BRAKE CLUSTER, R.H. (13")	2
74	18057522	BOLT, 1/2-20NF. X 1	8
75	18891400	LOCKWASHER, 1/2	8
76	18437500	HEX. NUT, 1/2-20NF.	8
	47005663	HOSE BRACKET	3
	47005664	HOSE CLIP	3
	47005666	LINE CLIP	8
	18721018	SCREW, #10 X 3/4, SELF-TAP	8
	18721019	SCREW, 1/4 X 1/2	3
	47005685	UNION TEE	1
	47005660	UNION	2
	47005665	BRAKE HOSE X 18"	2
	47005667	BRAKE HOSE X 25"	2
	47005686	TUBE, BRAKE LINE X 8"	2
	47005692	TUBE, BRAKE LINE X 20"	1
	47005687	TUBE, BRAKE LINE X 30"	1
	47005695	TUBE, BRAKE LINE X 51"	1
	47005688	TUBE, BRAKE LINE X 60"	1
	47005680	TEE, F X F X M	2
	47005682	TUBE, BRAKE LINE X 4"	4
		PERFECT HITCH, STARTING S.N. 1504	
93	Pi-301V3C	PERFECT HITCH ASSEMBLY INCLUDES ITEMS 93 TO 97	1
94	PPI-301V3	PERFECT HITCH	1
95	PPI-206VR	PERFECT HITCH CLEVIS WITH 1 INCH ROUND HOLE, (STANDARD)	1
	PPI-208VR	PERFECT HITCH CLEVIS WITH 1 1/4" OBROUND HOLE, (OPTIONAL)	
96	18058452	BOLT, 3/4-10NC. X 5, GR. 8	1
97	18458452	LOCKNUT, 3/4-10NC. GR. 8	1
98	600182	HITCH PIN, 1 X 6	2
		AXLE ASSEMBLY FOR 90 INCH (MAX.) TRACK WIDTH	
99	47009759	OUTER AXLE (DOUBLE TUBE)	2
100	47009826	STUB AXLE (WITH 16L TIRES A 62" WHEELTRACK IS THE MINIMUM SETTING)	4
101	47009769	SPRING CLAMP PLATE	4
102	18057450	BOLT, 1/2-13NC. X 4 1/2	16
103	18891400	LOCKWASHER, 1/2	16
104	18417400	HEX. NUT, 1/2-13NC.	16
105	18057954	BOLT, 5/8-11NC. X 5	4
106	18811600	FLATWASHER, 5/8	8
107	18891600	LOCKWASHER, 5/8	4
108	18417900	HEX. NUT, 5/8-11NC	4
109	47009835	SHAFT, GND WHL DRV. (SPECIAL)	1
110	47009624	LINE SHAFT SHIELD	OPT.

P/N: 46006078 AG600 SINGLE TUBE AXLE CONTAINS ITEMS #63 THRU 71

P/N: 47005805 ALSO CONTAINS P/N: 71954 WHEEL STUDS QTY 32 (NOT SHOWN)  
P/N: 47005860 ALSO CONTAINS P/N: 71954 WHEEL STUDS QTY 16 (NOT SHOWN)

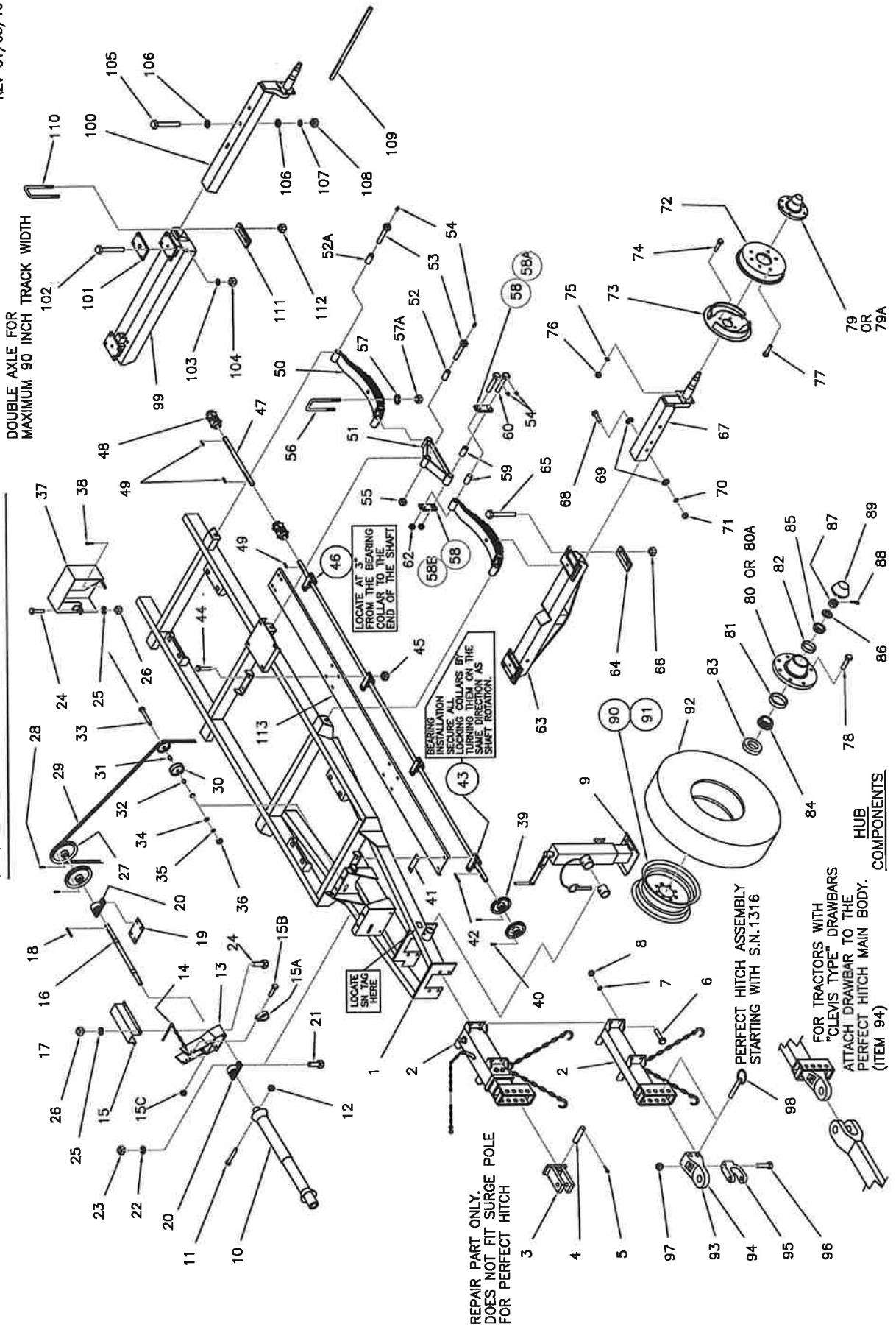
	2WHL	4WHL	4WHL 88"
72	2	4	4
73	1	2	2
	1	2	2
74	8	8	16
75	8	8	16
76	8	8	16
	3	5	5
	3	5	5
	8	8	15
	8	15	15
	3	5	5
	1	2	2
	2	2	5
	—	1	1
	2	4	4
	2	—	—
	1	1	1
	1	1	1
	1	1	1
	1	2	2
	—	1	1
	—	4	8

P/N: 47005805 ALSO CONTAINS P/N: 908481 GREASE SEAL  
P/N: 47005860 ALSO CONTAINS P/N: 908481 GREASE SEAL  
NOTE: IF YOUR HUB IS SMOOTH W/ A GREASE ZERK, ORDER GREASE SEAL P/N: 908481  
IF YOUR HUB HAS RIBS AND NO GREASE ZERK, ORDER GREASE SEAL P/N: 47005017

P/N: 46006090 AG600 DUAL TUBE AXLE CONTAINS ITEMS #64 THRU 66 & 99 THRU 109

# AG500 WAGON

AG500WGN  
REV 01/08/19



# AG500 WAGON PARTS LIST

AG500LSA  
REV 12/7/23

PRODUCTION YEARS 1983 TO PRESENT

ITEM	PART NO.	DESCRIPTION	QTY.
1	47009186	MAIN FRAME	1
2	47009510	SOLID POLE ASSEMBLY (1" DIA. HOLES) UP TO 1998 PROD. ENDING S.N. 1298	1
	47009511	SOLID POLE ASSEMBLY (1 1/4 DIA HOLES) FROM 1998 PROD. STARTING S.N. 1299	1
OR	FOR PERFECT HITCH (2001 PROD) STARTING S.N. 1316		
	47009692	SOLID POLE ASSEMBLY (PRFCT HCH) 2 SURGE POLE, SEE BRAKE PACKAGE LIST	1
2	47009285	HITCH ASSEMBLY FOR 47009510 UP TO 1998 PROD. ENDING S.N. 1298	1
4	47001319	HITCH PIN, 1 X 5 5/8	1
5	18561026	COTTER PIN, 1/4 X 1 1/2	2
3	47009523	HITCH ASSEMBLY FOR 47009511 FROM 1998 PROD. STARTING S.N. 1299 ENDING S.N. 1315	1
4	47001676	HITCH PIN, 1 1/4 X 5 1/4	1
5	18561030	COTTER PIN, 1/4 X 2	2
6	18057930	BOLT, 5/8-11NC. X 2	8
7	18891600	LOCKWASHER, 5/8	8
8	18417900	HEX. NUT, 5/8-11NC	8
9	6020502	JACK COMPLETE, (FINISH PAINTED)	1
FOR REPAIR PARTS SEE SEPARATE JACK ILLUSTRATION			
10	01041	PTO SHAFT, COMPLETE	1
11	18056836	BOLT, 3/8-16NC. X 2 3/4	1
12	18459200	HEX. NUT (NYLON) 3/8-16NC.	1
13	47009315	PTO STAND	1
14	47007146	PTO PIN ASSEMBLY	1
15	47002307	PTO SHIELD	1
15A	41859	9/16 CLAMP, .343 HOLE	2
15B	18026418	BOLT, 5/16-16NC. X 3/4	S.S. 2
15C	18476350	HEX. NUT, 5/16-16NC.	S.S. 2
16	03258	JACK SHAFT, 1 X 22 3/4	1
17	OMITTED		
18	47006359	SQUARE KEY, 1/4 X 3	1
19	47001785	SPACER, BEARING BLOCK	1
20	05239	PILLOW BLOCK, W/ ROLLER BEARING	2
21	18056828	BOLT, 3/8-16NC. X 1 3/4	4
22	18811200	FLATWASHER, 3/8	4
23	18496800	FLANGE NUT, 3/8-16NC.	4
24	18056822	BOLT, 3/8-16NC. X 1	5
25	18811200	FLATWASHER, 3/8	5
26	18496800	FLANGE NUT, 3/8-16NC.	5
27	10093	PULLEY, 7.4 PITCH DIA.	2
28	18767450	SQ. HD. SET SCREW, 5/16-18NC. X 3/4	4
29	31208	BELT, B43 (46" OUTSIDE)	2
30	71403	PULLEY, FLAT IDLER	2
31	47001799	SPACER, PULLEY - 3/4 LONG	1
32	47001799	SPACER, PULLEY - 3/4 LONG	1
33	18057450	BOLT, 1/2-13NC. X 4 1/2	1
34	18811400	FLATWASHER, 1/2	2
35	18891400	LOCKWASHER, 1/2	1
36	18417400	HEX. NUT, 1/2-13NC.	1
37	47009235	SHIELD, PULLEY	1
38	18560722	COTTER PIN, 5/32 X 1	1
39	10328	PULLEY, 5.4 PITCH DIA.	2
40	18767450	SQ. HD. SET SCREW, 5/16-18NC. X 3/4	4
41	47006631	SHIM (.075) FOR PILLOW BLOCK	0-4
42	47006632	SHIM (.250) FOR PILLOW BLOCK	0-4
42	47006359	SQUARE KEY, 1/4 X 3	1
43	05239	PILLOW BLOCK, W/ ROLLER BEARING (OPTIONAL FOR REPAIRS)	4
	10499	WOOD BEARING PILLOW BLOCK	
44	18056826	BOLT, 3/8-16NC. X 1 1/2	8
45	18496800	FLANGE NUT, 3/8-16NC.	8
46	47006239	DRIVE SHAFT, 1 X 118	1
47	47006639	SPINNER SHAFT, 1" DIA.	1
48	01340	U-JOINT COUPLING	2
49	47006360	SQUARE KEY, 1/4 X 1 1/2 LG.	3
50	47002080	SPRING ASSEMBLY, INCLUDES BUSHING ITEM 52A (2 EACH)	4
51	47009078	EQUALIZER, (1983 TO 1992)	2
		INCLUDES BUSHING ITEM 52 (3 EACH)	
	47007108	EQUALIZER, (1993 TO PRESENT)	2
		INCLUDES BUSHING ITEM 52 (3 EACH)	
52	47001331	BRONZE BUSHING, (IN EQUALIZERS)	6
52	47001331S	SPLIT BUSHING, (IN SPRINGS)	8
53	47007145	SPRING BOLT, 1-8NC. X 3.88 (1993 TO PRESENT) ONLY	6
54	18901805	GREASE ZERK, STRAIGHT(UP TO 2016) (2017 AND NEWER)	14
55	18449000	JAM NUT, 1-8NC. (1993-PRESENT)	6
56	47006863	U-BOLT, 1/2-13NC.	8
57	18891400	LOCKWASHER, 1/2	16
57A	18417400	HEX. NUT, 1/2-13NC.	16
58	47001293	HANGER STRAP (1983 TO 2016) 2017 AND NEWER	8
58A	47003492	OUTSIDE HANGER STRAP	4
58B	47003493	INSIDE HANGER STRAP (TAPPED)	4
59	47001318	STEEL INSERT, (1983 TO 1992) (1993 TO 2016) (2017 AND NEWER)	14
60	18057946	BOLT, 5/8-11NC. X 4 (1983-1992)	14
	18057942	BOLT, 5/8-11 X 3 3/4(1993-2016)	8
	47003491	SPRING HANGER BOLT 1-8 X 3.56 (2017 AND NEWER)	8
61	18891600	LOCKWASHER, 5/8 (1983 TO 1992)	14
62	18457900	LOCKNUT, 5/8-11NC. (1993 TO 2016)	8
	18417900	HEX NUT, 5/8-11NC. (1983 TO 1992)	14
	18449000	JAM NUT, 1-8NC. (2017 AND UP)	8

ITEM	PART NO.	DESCRIPTION	QTY.																																																																																																									
63	47009520	CENTER TUBE	2																																																																																																									
64	47009404	CLAMP PLATE	4																																																																																																									
65	18098462	BOLT, 3/4-10NC. X 6 GR. 8	8																																																																																																									
66	18458400	LOCKNUT, 3/4-10NC.	8																																																																																																									
67	47009403	STUB AXLE, STD 60", 72", 78" TRACK	4																																																																																																									
	47109403	STUB AXLE, 70", 80", 88" TRACK	OPT.																																																																																																									
68	18057954	BOLT, 5/8-11NC. X 5	4																																																																																																									
69	18811600	FLATWASHER, 5/8	8																																																																																																									
70	18891600	LOCKWASHER, 5/8	4																																																																																																									
71	18417900	HEX. NUT 5/8-11NC.	4																																																																																																									
		ITEMS 72 TO 77 SEE "BRAKE PACKAGE"																																																																																																										
78	47005012	WHEEL BOLT, 9/16-18NF.	24																																																																																																									
79	47009618	HUB COMPLETE, (NO BRAKES)	4																																																																																																									
		INCLUDES ITEMS 78, 80, 83 THRU 85 AND 89																																																																																																										
79A	47009635	HUB COMPLETE, (FOR BRAKES)	4																																																																																																									
		INCLUDES ITEMS 78, 80A, 83 THRU 85 AND 89																																																																																																										
80	47005618	HUB WITH CUPS, (NO BRAKES)	4																																																																																																									
80A	47005635	HUB WITH CUPS, (FOR BRAKES)	4																																																																																																									
81	47005520	BEARING CUP, INNER	4																																																																																																									
82	47005510	BEARING CUP, OUTER	4																																																																																																									
83	47005030	GREASE SEAL, (1988 TO PRESENT)	4																																																																																																									
	47005030A	GREASE SEAL, (1983 TO 1987)	4																																																																																																									
		OLDER SEALS ARE .050 UNDERSIZE																																																																																																										
84	47005580	BEARING CONE, INNER	4																																																																																																									
85	47005548	BEARING CONE, OUTER	4																																																																																																									
86	18000017	SPINDLE WASHER, 1 X 3/16	4																																																																																																									
87	18489100	SLOTTED NUT, 1-14NF	4																																																																																																									
88	18560828	COTTER PIN, 3/16 X 1 1/2	4																																																																																																									
89	47005515	DUST CAP	4																																																																																																									
90	47005809	WHEEL RIM, 10 X 15	4																																																																																																									
	47005819	WHEEL RIM, 11C X 16.1	OPT.																																																																																																									
	47005817	WHEEL RIM, W7B X 20	OPT.																																																																																																									
91	20120012	VALVE STEM	4																																																																																																									
92	20121215	TIRE, 12L X 15 (10) PLY	4																																																																																																									
	20121416	TIRE, 14L X 16.1 (8) PLY	OPT.																																																																																																									
	30459	TIRE, 16.5 X 16.1 (8) PLY	OPT.																																																																																																									
	20090020	TIRE, 900 X 20 (TRUCK TIRE)	OPT.																																																																																																									
OPTIONAL BRAKE PACKAGES																																																																																																												
2	47005850	2 WHL BRAKE PACKAGE COMPLETE	OPT																																																																																																									
2	47005854	4 WHL BRAKE PACKAGE COMPLETE	OPT																																																																																																									
	47015050	"DICO" SURGE POLE FOR PERFECT HITCH (CURRENT) FROM 2005 PROD. STARTING S.N. 1549 TO PRESENT																																																																																																										
OR	47009648	PULL HEAD WITH 1 DIA. HOLES	1																																																																																																									
		REPAIR PART ONLY FOR SURGE POLE WITH "DICO" ACTUATOR UP TO 1998 PROD. ENDING S.N.1298																																																																																																										
OR	FROM 1998 PROD. STARTING S.N.1299																																																																																																											
	47009649	SURGE POLE FOR PERFECT HITCH	1																																																																																																									
		FROM 2001 PROD. STARTING S.N. 1316 (ENDING 1548) AND PULL HEAD WITH 1 1/4 DIA. HOLES (REPLACEMENT IS DICO)																																																																																																										
OR	47009691	SURGE POLE W/"DEMCO" ACTUATOR (OBSOLETE)																																																																																																										
<table border="1" style="width: 100%; border-collapse: collapse;"> <thead> <tr> <th colspan="2"></th> <th>BRAKES</th> <th>2WHL</th> <th>4WHL</th> </tr> </thead> <tbody> <tr><td>72</td><td>47005759</td><td>BRAKE DRUM, 12"</td><td>2</td><td>4</td></tr> <tr><td>73</td><td>47005758</td><td>BRAKE CLUSTER L.H. (12")</td><td>1</td><td>2</td></tr> <tr><td></td><td>47005757</td><td>BRAKE CLUSTER R.H. (12")</td><td>1</td><td>2</td></tr> <tr><td>74</td><td>18056820</td><td>BOLT, 3/8-24NF. X 1</td><td>8</td><td>16</td></tr> <tr><td>75</td><td>18891200</td><td>LOCKWASHER, 3/8</td><td>8</td><td>16</td></tr> <tr><td>76</td><td>18436700</td><td>HEX. NUT, 3/8-24NF.</td><td>8</td><td>16</td></tr> <tr><td>77</td><td>18057522</td><td>BOLT, 1/2-20NF. X 1</td><td>12</td><td>24</td></tr> <tr><td></td><td>47005663</td><td>HOSE BRACKET</td><td>3</td><td>5</td></tr> <tr><td></td><td>47005664</td><td>HOSE CLIP</td><td>3</td><td>5</td></tr> <tr><td></td><td>47005666</td><td>LINE CLIP</td><td>8</td><td>5</td></tr> <tr><td></td><td>18721018</td><td>SCREW, #10 X 3/4, SELF-TAP</td><td>8</td><td>14</td></tr> <tr><td></td><td>18721019</td><td>SCREW, 1/4 X 1/2, THRD-CUTTING</td><td>3</td><td>5</td></tr> <tr><td></td><td>47005680</td><td>TEE, F X F X M</td><td>1</td><td>2</td></tr> <tr><td></td><td>47005660</td><td>UNION</td><td>2</td><td>2</td></tr> <tr><td></td><td>47005665</td><td>BRAKE HOSE X 18"</td><td>1</td><td>1</td></tr> <tr><td></td><td>47005667</td><td>BRAKE HOSE X 25"</td><td>2</td><td>4</td></tr> <tr><td></td><td>47005682</td><td>TUBE, BRAKE LINE X 4"</td><td>3</td><td>5</td></tr> <tr><td></td><td>47005687</td><td>TUBE, BRAKE LINE X 30"</td><td>1</td><td>1</td></tr> <tr><td></td><td>47005695</td><td>TUBE, BRAKE LINE X 51"</td><td>1</td><td>1</td></tr> <tr><td></td><td>47005688</td><td>TUBE, BRAKE LINE X 60"</td><td>1</td><td>2</td></tr> </tbody> </table>						BRAKES	2WHL	4WHL	72	47005759	BRAKE DRUM, 12"	2	4	73	47005758	BRAKE CLUSTER L.H. (12")	1	2		47005757	BRAKE CLUSTER R.H. (12")	1	2	74	18056820	BOLT, 3/8-24NF. X 1	8	16	75	18891200	LOCKWASHER, 3/8	8	16	76	18436700	HEX. NUT, 3/8-24NF.	8	16	77	18057522	BOLT, 1/2-20NF. X 1	12	24		47005663	HOSE BRACKET	3	5		47005664	HOSE CLIP	3	5		47005666	LINE CLIP	8	5		18721018	SCREW, #10 X 3/4, SELF-TAP	8	14		18721019	SCREW, 1/4 X 1/2, THRD-CUTTING	3	5		47005680	TEE, F X F X M	1	2		47005660	UNION	2	2		47005665	BRAKE HOSE X 18"	1	1		47005667	BRAKE HOSE X 25"	2	4		47005682	TUBE, BRAKE LINE X 4"	3	5		47005687	TUBE, BRAKE LINE X 30"	1	1		47005695	TUBE, BRAKE LINE X 51"	1	1		47005688	TUBE, BRAKE LINE X 60"	1	2
		BRAKES	2WHL	4WHL																																																																																																								
72	47005759	BRAKE DRUM, 12"	2	4																																																																																																								
73	47005758	BRAKE CLUSTER L.H. (12")	1	2																																																																																																								
	47005757	BRAKE CLUSTER R.H. (12")	1	2																																																																																																								
74	18056820	BOLT, 3/8-24NF. X 1	8	16																																																																																																								
75	18891200	LOCKWASHER, 3/8	8	16																																																																																																								
76	18436700	HEX. NUT, 3/8-24NF.	8	16																																																																																																								
77	18057522	BOLT, 1/2-20NF. X 1	12	24																																																																																																								
	47005663	HOSE BRACKET	3	5																																																																																																								
	47005664	HOSE CLIP	3	5																																																																																																								
	47005666	LINE CLIP	8	5																																																																																																								
	18721018	SCREW, #10 X 3/4, SELF-TAP	8	14																																																																																																								
	18721019	SCREW, 1/4 X 1/2, THRD-CUTTING	3	5																																																																																																								
	47005680	TEE, F X F X M	1	2																																																																																																								
	47005660	UNION	2	2																																																																																																								
	47005665	BRAKE HOSE X 18"	1	1																																																																																																								
	47005667	BRAKE HOSE X 25"	2	4																																																																																																								
	47005682	TUBE, BRAKE LINE X 4"	3	5																																																																																																								
	47005687	TUBE, BRAKE LINE X 30"	1	1																																																																																																								
	47005695	TUBE, BRAKE LINE X 51"	1	1																																																																																																								
	47005688	TUBE, BRAKE LINE X 60"	1	2																																																																																																								
93	OMITTED																																																																																																											
94	PPI-301V3	PERFECT HITCH	1																																																																																																									
95	PPI-206VR	PERFECT HITCH CLEVIS WITH 1 INCH ROUND HOLE, (STANDARD)	1																																																																																																									
	PPI-208VR	PERFECT HITCH CLEVIS WITH 1 1/4" OBROUND HOLE, (OPTIONAL)																																																																																																										
96	18058452	BOLT, 3/4-10NC. X 5, GR. 8	1																																																																																																									
97	18458452	LOCKNUT, 3/4-10NC. GR. 8	1																																																																																																									
98	600182	HITCH PIN, 1 X 6	2																																																																																																									
AXLE ASSEMBLY FOR 90 INCH (MAX) TRACK WIDTH																																																																																																												
99	47009759	OUTER AXLE, (DOUBLE TUBE)	2																																																																																																									
100	47009765	STUB AXLE	4																																																																																																									
101	47009769	SPRING CLAMP PLATE	4																																																																																																									
102	18057450	BOLT, 1/2-13NC. X 4 1/2	16																																																																																																									
103	18891400	LOCKWASHER, 1/2	16																																																																																																									
104	18417400	HEX. NUT, 1/2-13NC.	16																																																																																																									
105	18057954	BOLT, 5/8-11NC. X 5	4																																																																																																									
106	18811600	FLATWASHER, 5/8	8																																																																																																									
107	18891600	LOCKWASHER, 5/8	4																																																																																																									
108	18417900	HEX. NUT, 5/8-11NC.	4																																																																																																									
109	47009835	SHAFT, GND WHL DRV. (SPECIAL)	1																																																																																																									
110	47006518	U-BOLT, 3/4-10NC.	4																																																																																																									
111	47009404	CLAMP PLATE	4																																																																																																									
112	18458400	LOCKNUT, 3/4-10NC.	8																																																																																																									
113	47009624	LINE SHAFT SHIELD	OPT.																																																																																																									

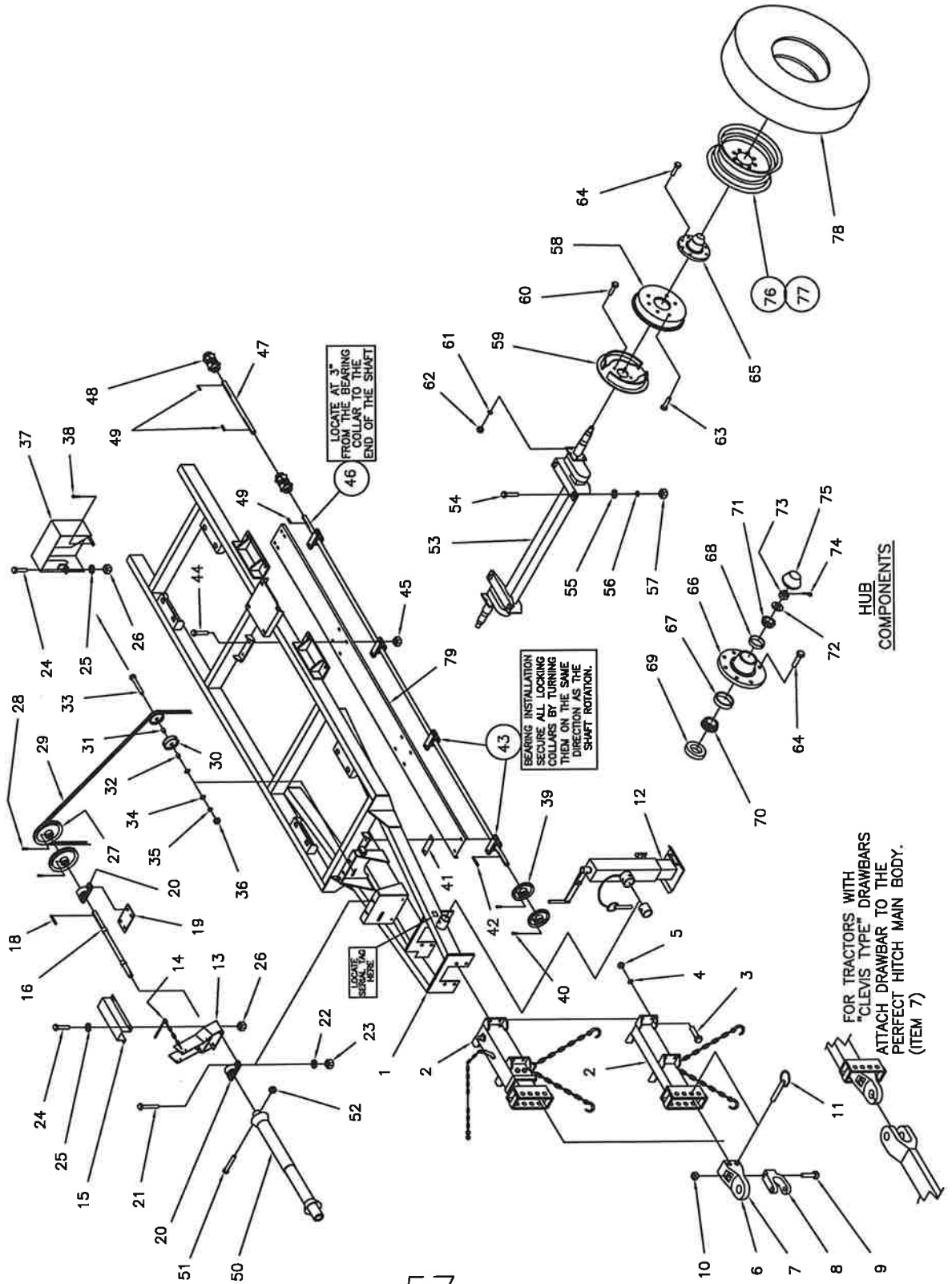
P/N: 4500607B AG500 SINGLE TUBE AXLE  
CONTAINS ITEMS #63 THRU 71

P/N: 47005805 ALSO CONTAINS P/N: 71954 WHEEL STUDS QTY 32 (NOT SHOWN)  
P/N: 47005860 ALSO CONTAINS P/N: 71954 WHEEL STUDS QTY 16 (NOT SHOWN)

P/N: 45006090 AG500 DUAL TUBE AXLE  
CONTAINS ITEMS #99 THRU 112

# AG500 WAGON WITH HENSCHEN AXLE

AG500HEN  
RV 05/17/18





# AG500 WAGON PARTS LIST

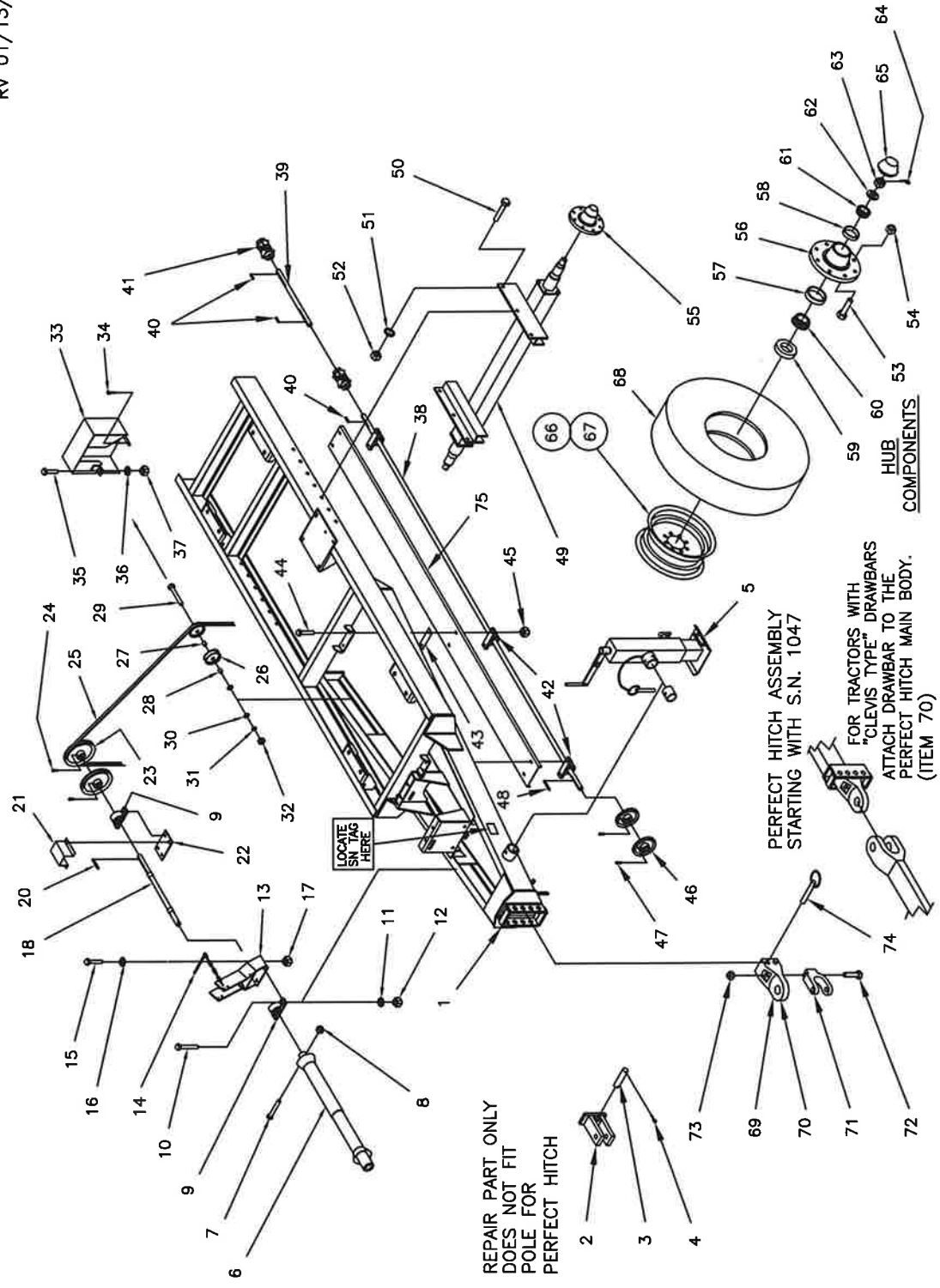
WITH HENSCHEN AXLE

AG500HNLS  
REV 06/29/20

ITEM	PART NO.	DESCRIPTION	QTY.	ITEM	PART NO.	DESCRIPTION	QTY.
1	47014186	MAIN FRAME	1	44	18056826	BOLT, 3/8-16NC. X 1 1/2	8
2	47009692	SOLID POLE ASSEMBLY (MOD. HEAD)	1	45	18496800	FLANGE NUT, 3/8-16NC.	8
OR		SURGE POLE, SEE BRAKE PACKAGE LIST		46	47006239	DRIVE SHAFT, 1 X 118	1
3	18057930	BOLT, 5/8-11NC. X 2	8	47	47006639	SPINNER SHAFT, 1" DIA.	1
4	18891600	LOCKWASHER, 5/8	8	48	01340	U-JOINT COUPLING	2
5	18417900	HEX. NUT, 5/8-11NC	8	49	47006360	SQUARE KEY, 1/4 X 1 1/2 LG.	3
6	Pi-301V3C	PERFECT HITCH ASSEMBLY	1	50	01041	PTO SHAFT, COMPLETE	1
		INCLUDES ITEMS 6 TO 10		51	18056836	BOLT, 3/8-16NC. X 2 3/4	1
7	PPi-301V3	PERFECT HITCH	1	52	18459200	HEX. NUT (NYLOK) 3/8-16NC.	1
8	PPi-206VR	PERFECT HITCH CLEVIS	1	53	T5418	HENSCHEN AXLE, (W/O HUBS)	2
		WITH 1 INCH ROUND HOLE, (STANDARD)			T5420	HENSCHEN AXLE, (WITH 03224 HUBS)	
	PPi-208VR	PERFECT HITCH CLEVIS		54	18058429	BOLT, 3/4-10NC. X 1 3/4, GR. 5	8
		WITH 1 1/4" OBROUND HOLE, (OPTIONAL)		55	18811800	FLAT WASHER, 3/4	8
9	18058452	BOLT, 3/4-10NC. X 5, GR. 8	1	56	18891800	LOCK WASHER, 3/4	8
10	18458452	LOCKNUT, 3/4-10NC. GR. 8	1	57	18418400	HEX. NUT, 3/4-10NC.	8
11	600182	HITCH PIN, 1 X 6	2	58		ITEMS 58 TO 63 SEE "BRAKE PACKAGE"	24
12	70924	JACK COMPLETE, (FINISH PAINTED)	1	64	30545	WHEEL BOLT, 1/2-20 NF X 1 1/2	
				65	03224	HUB COMPLETE, (F45 STYLE)	4
						INCLUDES ITEMS 64, 66, 69 THRU 71 AND ITEM 75	
				66	03222	HUB WITH CUPS, 67 AND 68	4
13	47009315	PTO STAND	1	67	10239	BEARING CUP, INNER	4
14	47007146	PTO PIN ASSEMBLY	1	68	10299	BEARING CUP, OUTER	4
15	47002307	PTO SHIELD	1	69	10240	GREASE SEAL,	4
16	03258	JACK SHAFT, 1 X 22 3/4	1	70	10238	BEARING CONE, INNER	4
17	OMITTED			71	10298	BEARING CONE, OUTER	4
18	47006359	SQUARE KEY, 1/4 X 3	1	72	11077	SPINDLE WASHER, 1 X 3/16	4
19	47001785	SPACER, BEARING BLOCK	1	73	11076	SLOTTED NUT, 1-14NF	4
20	05239	PILLOW BLOCK, W/ ROLLER BEARING	2	74	18560828	COTTER PIN, 3/16 X 2	4
21	18056828	BOLT, 3/8-16NC. X 1 3/4	4	75	10241	DUST CAP	4
22	18811200	FLATWASHER, 3/8	4	76	47005809	WHEEL RIM, 10 X 15	4
23	18496800	FLANGE NUT, 3/8-16NC.	4	77	20120012	VALVE STEM	4
24	18056822	BOLT, 3/8-16NC. X 1	5	78	20121215	TIRE, 12L X 15 (10) PLY	4
25	18811200	FLATWASHER, 3/8	5				
26	18496800	FLANGE NUT, 3/8-16NC.	5	79	47009624	LINE SHAFT SHIELD	OPT.
27	10093	PULLEY, 7.4 PITCH DIA.	2			OPTIONAL BRAKE PACKAGES	
28	18767450	SQ. HD. SET SCREW, 5/16-18NC. X 3/4	4			CONTACT AG SYSTEMS	
29	31208	BELT, B43 (46" OUTSIDE)	2	2	47105050	"DICO" SURGE POLE, SPECIAL	
30	71403	PULLEY, FLAT IDLER	2	58	47005759	BRAKE DRUM, 12"	
31	47001799	SPACER, PULLEY - 3/4 LONG	1	59	47005758	BRAKE CLUSTER L.H. (12")	
32	47001799	SPACER, PULLEY - 3/4 LONG	1		47005757	BRAKE CLUSTER R.H. (12")	
33	18057450	BOLT, 1/2-13NC. X 4 1/2	1	60	18056820	BOLT, 3/8-24NF. X 1	
34	18811400	FLATWASHER, 1/2	2	61	18891200	LOCKWASHER, 3/8	
35	18891400	LOCKWASHER, 1/2	1	62	18436700	HEX. NUT, 3/8-24NF.	
36	18417400	HEX. NUT, 1/2-13NC.	1	63	18057522	BOLT, 1/2-20NF. X 1	
37	47009235	SHIELD, PULLEY	1				
38	18560722	COTTER PIN, 5/32 X 1	1				
39	10328	PULLEY, 5.4 PITCH DIA.	2				
40	18767450	SQ. HD. SET SCREW, 5/16-18NC. X 3/4	4				
41	47006631	SHIM (.075) FOR PILLOW BLOCK	0-4				
	47006632	SHIM (.250) FOR PILLOW BLOCK	0-4				
42	47006359	SQUARE KEY, 1/4 X 3	1				
43	05239	PILLOW BLOCK, W/ ROLLER BEARING	4				
	10499	(OPTIONAL FOR REPAIRS)					
		WOOD BEARING PILLOW BLOCK					

# AG122 WAGON FOR AG400 SPREADER

AG122WGNA  
RV 01/13/21



REPAIR PART ONLY  
DOES NOT FIT  
POLE FOR  
PERFECT HITCH

FOR TRACTORS WITH  
"CLEVIS TYPE" DRAWBARS  
ATTACH DRAWBAR TO THE  
PERFECT HITCH MAIN BODY.  
(ITEM 70)

PERFECT HITCH ASSEMBLY  
STARTING WITH S.N. 1047

# AG122 WAGON PARTS LIST

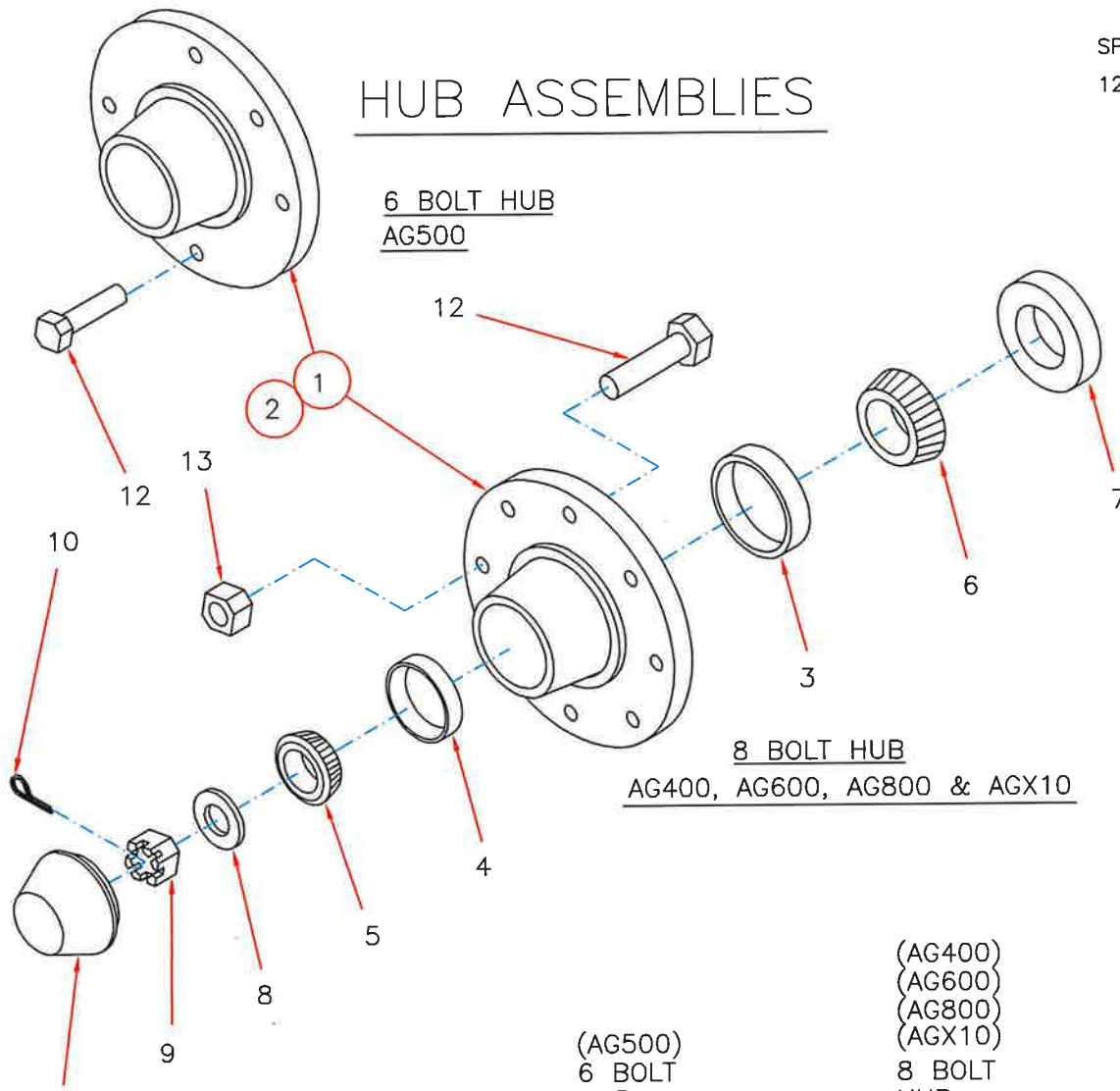
AG122LSTA  
RV 09/21/22

## FOR AG400 SPREADER

ITEM	PART NO.	DESCRIPTION	QTY.	ITEM	PART NO.	DESCRIPTION	QTY.
1	71754	MAIN FRAME (PTO DRIVE)	1	38	2-1980	DRIVE SHAFT, 1" DIA. X 96	1
2	71230	MAIN FRAME (ENGINE MOUNT)	1	39	2-1990	SPINNER SHAFT, 1" DIA. X 35 1/2	1
3	47009285	HITCH ASSEMBLY (1" DIA. HOLES)	1	40	47006360	SQUARE KEY, 1/4 X 1 1/2 LG.	3
4	UP TO 1997	PROD. ENDING S.N. 1031	1	41	01340	U-JOINT COUPLING	2
5	47001319	HITCH PIN, 1 X 5 5/8	2	42	05239	PILLOW BLOCK, W/ ROLLER BEARING (OPTIONAL FOR REPAIRS)	3
6	18561026	COTTER PIN, 1/4 X 1 1/2	1	43	10499	WOOD BEARING PILLOW BLOCK	0-4
7	47009523	HITCH ASSEMBLY (1 1/4" DIA HOLES)	1	44	47006631	SHIM (.075) FOR PILLOW BLOCK	0-4
8	FROM 1999	PROD. STARTING S.N. 1032	1	45	47006632	SHIM (.250) FOR PILLOW BLOCK	0-4
9	ENDING S.N. 1046	FOR S.N. 1047 TO PRESENT	1	46	18056826	BOLT, 3/8-16NC. X 1 1/2	6
10	SEE "PERFECT HITCH" ITEMS	69 TO 74	1	47	18496800	FLANGE NUT, 3/8-16NC.	6
11	47001676	HITCH PIN, 1 1/4 X 5 1/4	1	48	10328	PULLEY, 5.4 PITCH DIA.	2
12	18561030	COTTER PIN, 1/4 X 2	2	49	18767450	SQ. HD. SET SCREW, 5/16-18NC. X 3/4	4
13	70924	JACK COMPLETE, (FINISH PAINTED)	1	50	47006359	SQUARE KEY, 1/4 X 3	1
14	01041	PTO SHAFT, COMPLETE	1	51	47009140	AXLE ASSEMBLY (60" TRACK -14L)	1
15	18056836	BOLT, 3/8-16NC. X 2 3/4	1	52	71727	AXLE ASSEMBLY (ADJUSTABLE)	6
16	18459200	HEX. NUT (NYLON) 3/8-16NC.	1	53	18057926	BOLT, 5/8-11NC. X 1 1/2	6
17	05239	PILLOW BLOCK, W/ ROLLER BEARING	2	54	18891600	LOCKWASHER, 5/8	6
18	18056828	BOLT, 3/8-16NC. X 1 3/4	4	55	18417900	HEX. NUT, 5/8-11NC	6
19	18811200	FLATWASHER, 3/8	4	56	47005041	WHEEL NUT, 9/16-18NF.	16
20	18496800	FLANGE NUT, 3/8-16NC.	4	57	47005040	WHEEL NUT, 9/16-18NF.	16
21	47009315	PTO STAND	1	58	47009712	HUB COMPLETE, INCLUDES ITEMS 56 TO 65	2
22	47007146	PTO PIN ASSEMBLY	1	59	47005712	HUB WITH CUPS, ITEMS 57 & 58	2
23	18056822	BOLT, 3/8-16NC. X 1	4	60	47005372	BEARING CUP, INNER	2
24	18811200	FLATWASHER, 3/8	4	61	47005272	BEARING CUP, OUTER	2
25	18496800	FLANGE NUT, 3/8-16NC.	4	62	(SEE NOTE)	GREASE SEAL	2
26	47005151	JACK SHAFT, 1 X 16 1/2	1	63	47005378	BEARING CONE, INNER	2
27	OMITTED		1	64	47005279	BEARING CONE, OUTER	2
28	47006359	SQUARE KEY, 1/4 X 3	1	65	18000017	SPINDLE WASHER, 1 X 3/16	2
29	2-2389	PTO SHIELD	1	66	18489100	SLOTTED NUT, 1-14NF	2
30	47001785	SPACER, BEARING BLOCK	1	67	18560830	COTTER PIN, 3/16 X 1 1/2	2
31	10093	PULLEY, 7.4 PITCH DIA.	2	68	47005917	DUST CAP	2
32	18767450	SQ. HD. SET SCREW, 5/16-18NC. X 3/4	4	69	47005816	WHEEL RIM, 11L X 16 (8 ON 8)	2
33	31208	BELT, B43 (46" OUTSIDE)	2	70	20120012	VALVE STEM	2
34	71403	PULLEY, FLAT IDLER	2	71	32297	TIRE, 16.5 X 16.1 (10 PLY)	2
35	47001799	SPACER, PULLEY - 3/4 LONG	1	72	omitted	PERFECT HITCH, STARTING S.N. 1047	1
36	47001799	SPACER, PULLEY - 3/4 LONG	1	73	PPI-301V3	PERFECT HITCH	1
37	18057450	BOLT, 1/2-13NC. X 4 1/4	2	74	PPI-206VR	PERFECT HITCH CLEVIS WITH 1 INCH ROUND HOLE, (STANDARD)	1
38	18811400	LOCKWASHER, 1/2	1	75	PPI-208VR	PERFECT HITCH CLEVIS WITH 1 1/4" OBROUND HOLE, (OPTIONAL)	1
39	18811400	LOCKWASHER, 1/2	1	76	18058452	BOLT, 3/4-10NC. X 5 GR.8	1
40	18417400	HEX. NUT, 1/2-13NC.	1	77	18458452	LOCKNUT, 3/4-10NC. GR. 8	1
41	47009235	SHIELD, PULLEY	1	78	600182	HITCH PIN, 1 X 6	2
42	18560722	BOLT, 3/8-16NC. X 1	1	79	47009825	LINE SHAFT SHIELD	OPT.
43	18056822	BOLT, 3/8-16NC. X 1	1				
44	18811200	FLATWASHER, 3/8	1				

NOTE:  
IF YOUR HUB IS SMOOTH W/ A GREASE ZERK, ORDER GREASE SEAL P/N: 906481  
IF YOUR HUB HAS RIBS AND NO GREASE ZERK, ORDER GREASE SEAL P/N: 47005017

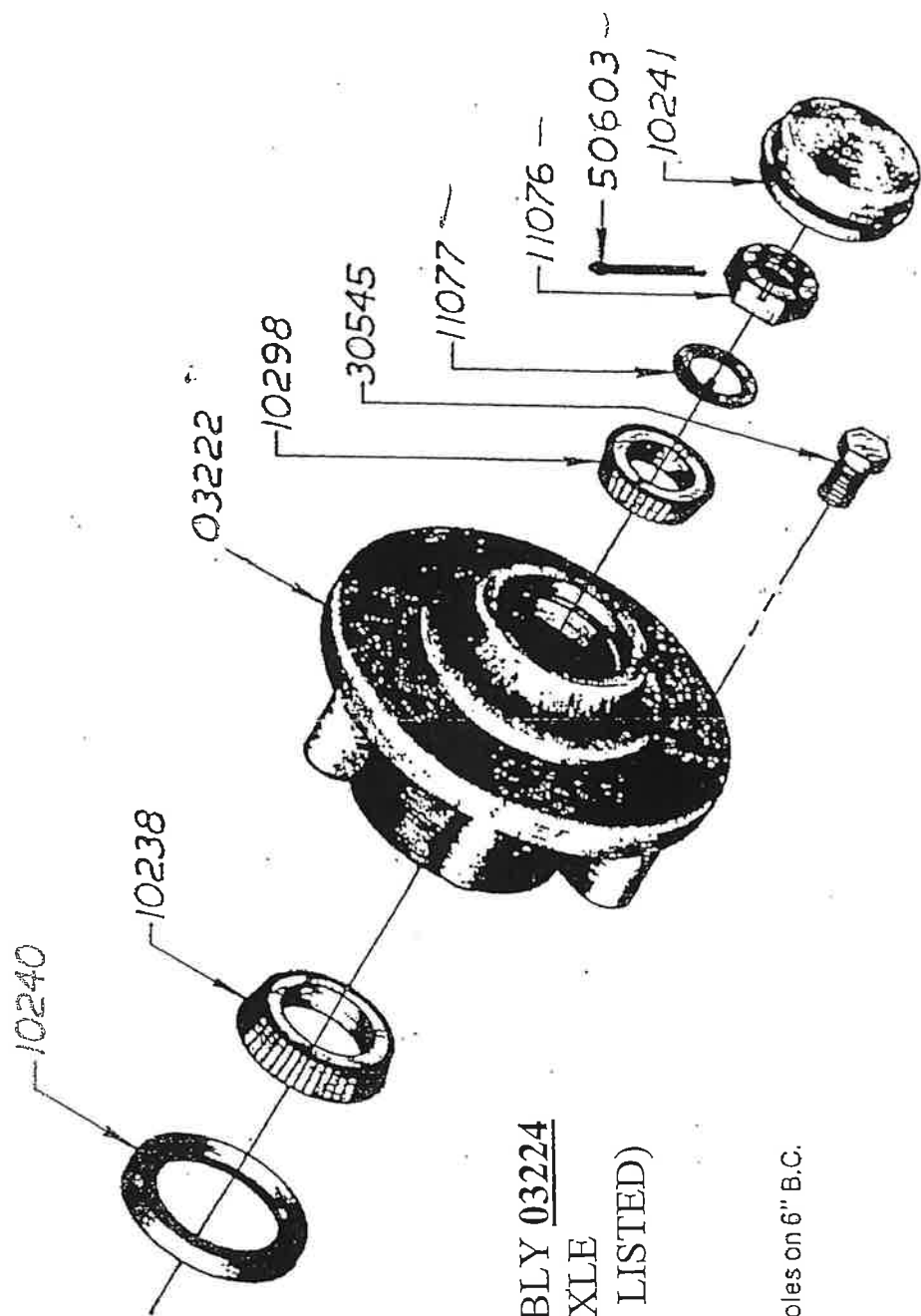
# HUB ASSEMBLIES



ITEM	DESCRIPTION	(AG500) 6 BOLT HUB PART NO.	QTY.	(AG400) (AG600) (AG800) (AGX10) 8 BOLT HUB PART NO.	QTY.
1	HUB COMPLETE MFGR. PART NUMBER H635 HUB COMPLETE INCLUDES ITEMS 2 THRU 7 AND 11 THRU 13	47009635	1	47009712	1
2	HUB WITH RACES	47005635	1	47005712	1
3	INNER BEARING RACE	47005520	1	47005372	1
4	OUTER BEARING RACE	47005510	1	47005272	1
5	OUTER BEARING CONE	47005548	1	47005279	1
6	INNER BEARING CONE	47005580	1	47005378	1
7	GREASE SEAL	47005030	1	(SEE NOTE)	1
8	SPINDLE WASHER	18000017	1	18000017	1
9	SPINDLE NUT	18489100	1	18489100	1
10	COTTER PIN	18560828	1	18560830	1
11	DUST CAP	47005515	1	47005917	1
12	LUG BOLT	47005012	6	47005041	8
13	LUG NUT			47005040	8

NOTE:  
IF YOUR HUB IS SMOOTH W/ A GREASE ZERK, ORDER GREASE SEAL P/N: 906481  
IF YOUR HUB HAS RIBS AND NO GREASE ZERK, ORDER GREASE SEAL P/N:47005017

FOR UNITS WITH BRAKES REPLACE LUG BOLT P/N:47005041 WITH WHEEL STUD P/N: 71954



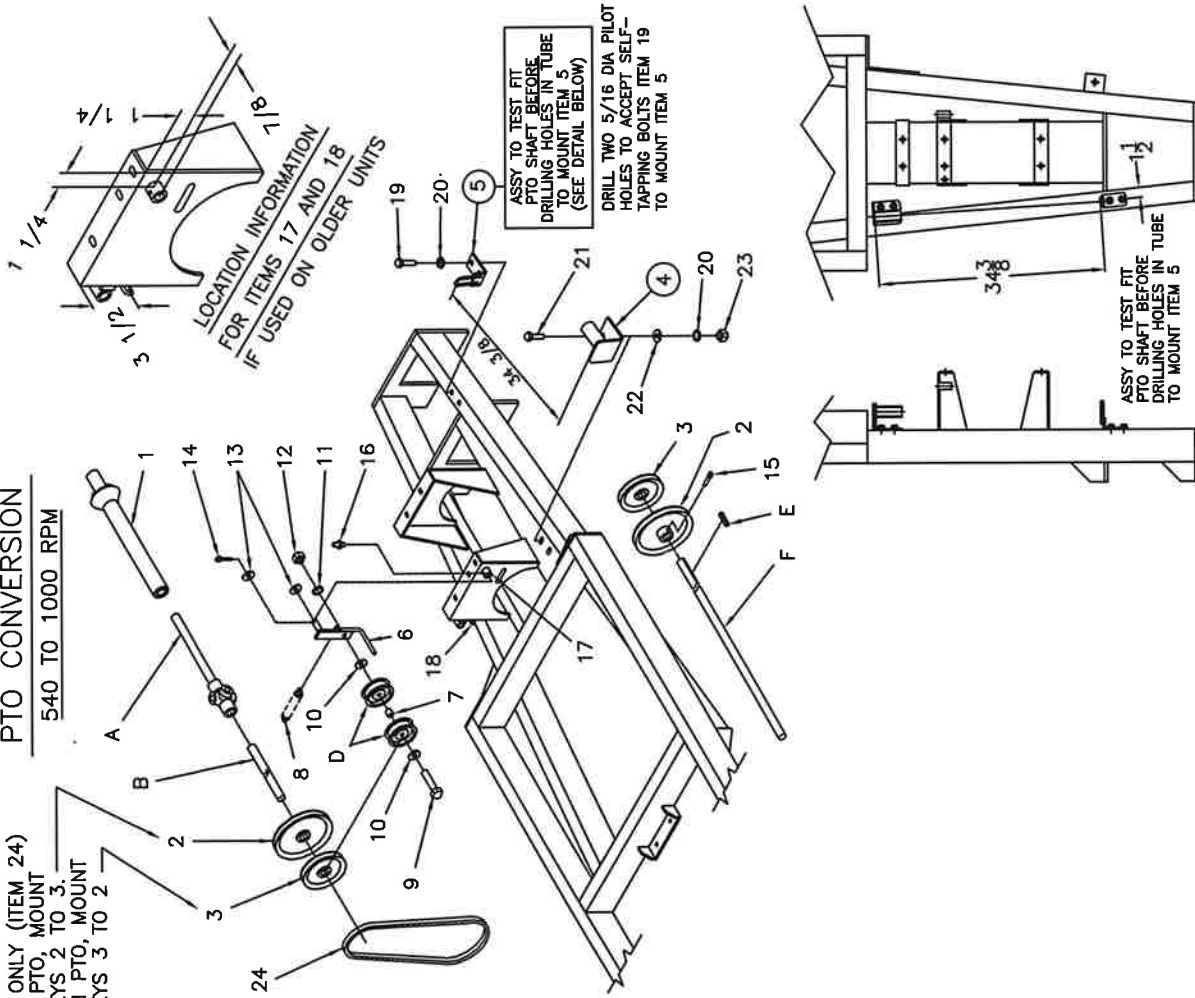
**COMPLETE HUB ASSEMBLY 03224  
FOR HENSCHEN AXLE  
(INCLUDES ALL ITEMS LISTED)**

- |       |   |
|-------|---|
| 50603 | 1/8" x2" Cotter Key                       |
| 03222 | Housing & Race Ass'y - 6 Holes on 6" B.C. |
| 10238 | Inside Bearing                            |
| 10240 | Seal                                      |
| 10241 | Push-on Grease Cap                        |
| 10298 | Outside Bearing                           |
| 11076 | 1" - 14 Slotted Nut                       |
| 11077 | Spindle Washer                            |
| 30545 | Lug Bolt                                  |
| 10239 | Inside Race                               |
| 10299 | Outside Race                              |
| 3224  | Hub Assembly Complete                     |

**HUB ASSEMBLY, HENSCHEN AXLE ONLY  
6 WHEEL BOLTS ON 6 INCH CENTERS**

**PTO CONVERSION**  
540 TO 1000 RPM

USE ONE BELT ONLY (ITEM 24)  
WITH 540 RPM PTO, MOUNT  
BELT ON PULLEYS 2 TO 3.  
WITH 1000 RPM PTO, MOUNT  
BELT ON PULLEYS 3 TO 2



ITEM	PART NO.	DESCRIPTION	QTY
A	01041	PTO SHAFT, COMPLETE	EXISTING
B	03258	JACK SHAFT, 1 X 22 3/4 (2006 & EARLIER) DELETE EXISTING SHAFT (1 X 16) AND REPLACE WITH JACK SHAFT, 1 X 16 1/2	EXISTING
C	47005151	JACK SHAFT, 1 X 16 1/2	EXISTING
D	71403	FLAT IDLER PULLEY	EXISTING
E	47006359	SQUARE KEY, 1/4 X 3	EXISTING
F	47006239	DRIVE SHAFT, 1 X 118	EXISTING
1	45401000	PTO CONVERSION COMPLETE INCLUDES ITEMS 1 TO 24	1
2	93-24309	PTO SHAFT (HALF) 1000 RPM.	2
3	32473	PULLEY, 7.4 P.D.	2
4	32472	PULLEY, 5.4 P.D.	2
5	47007907	REAR BOLT-ON SUPPORT, PTO	1
6	47007904	FRONT BOLT-ON SUPPORT, PTO	1
7	47007494	BRACKET, IDLER PULLEY	1
8	47007799	SPACER, IDLER PULLEY	1
9	71134	EXTENSION SPRING	1
10	18057446	1/2-13 NC. X 4 BOLT	1
11	18811400	1/2 FLATWASHER	2
12	18891400	1/2 LOCKWASHER	1
13	18417400	1/2-13 NC. HEX. NUT	1
14	18851600	5/8 FLATWASHER, SAE	2
15	18560722	COTTER PIN, 5/32 X 1	1
16	18767450	SET SCREW, 5/16-18 NC. X 3/4"	4
17	18901805	GREASE ZERK, STRAIGHT	1
17	WELD ITEMS 17 AND 18 PER INSET AS SHOWN (REQ'D ONLY ON UNITS BUILT BEFORE 07-10-15)		
18	47007493	BUSHING, IDLER PULLEY BRACKET	1 LINK
19	18971000	2-0 CHAIN	1 LINK
20	1700400	3/8" X 1" SELF TAP BOLT ZC	2
21	18891200	LOCKWASHER, 3/8"	4
22	18056822	BOLT, HEX 3/8-16NC X 1" ZC	2
23	18811200	FLATWASHER, 3/8" ZC	4
24	18436800	NUT, HEX 3/8-16NC ZC	2
24	5L460K	V-BELT POWERATED (REPLACES 31208)	1
47009624	ALSO INCLUDED BUT NOT SHOWN SS LINE SHAFT SHIELD		1

VIEWS OF POLE TO LOCATE  
ITEMS 4 AND 5  
LOCATION REVISED JULY 2015

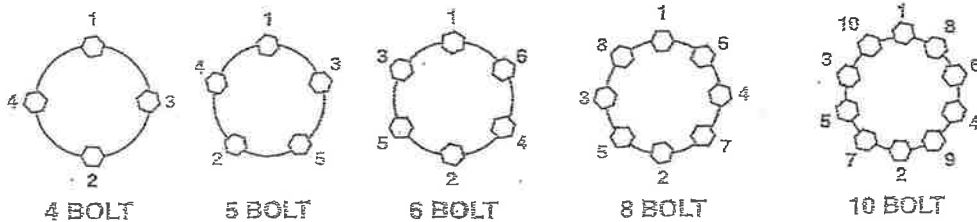
## Torque Requirements

It is extremely important to apply and maintain proper wheel mounting torque on your trailer axle. Torque is a measure of the amount of tightening applied to a fastener (nut or bolt) and is expressed as length times force. For example, a force of 90 pounds applied at the end of a wrench one foot long will yield 90 lbs./ft of torque. Torque wrenches are the best method to assure the proper amount of torque is being applied to a fastener.

*Note: Wheel nuts or bolts must be applied and maintained at the proper torque levels to prevent loose wheels, broken studs, and possible dangerous separation of wheels from your axle.*

Be sure to use only the fasteners matched to the cone angle of your wheel (usually 60° or 90°.) The proper procedure for attaching your wheels is as follows:

1. Start all bolts or nuts by hand to prevent cross threading.
2. Tighten bolts or nuts in the following sequence.
3. The tightening of the fasteners should be done in stages. Following the recommended sequence, tighten fasteners per wheel torque requirements diagram:



4. Wheel nuts/bolts should be torqued before first road use and after each wheel removal. Check and re-torque after the first 50 miles and again at 100 miles. Check periodically there after.

## Wheel & Rim Torque Requirements

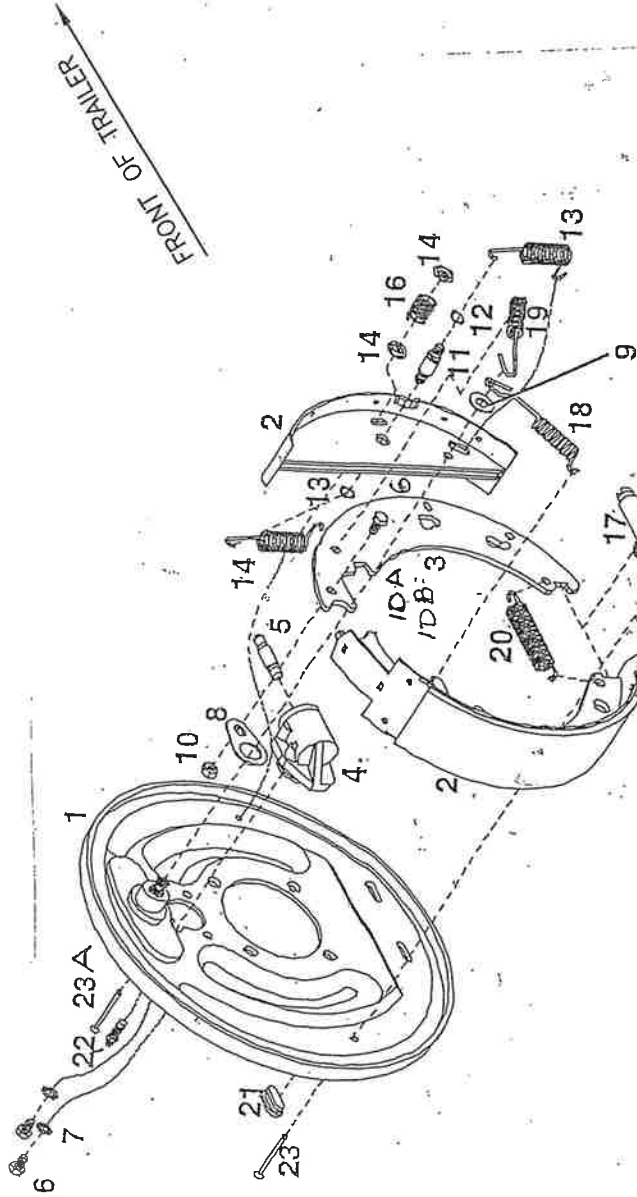
Description	Application (Steel wheels)	Minimum Torque ft lbs	Maximum Torque ft lbs
1/2" Cone nut	12"-13" Wheel	50	75
1/2" Cone nut	14"-16" Wheel	90	120
9/16" Cone nut	16" Wheel	135	175
5/8" Cone nut	Flat disc Wheel	175	225
5/8" Cone nut	Clamp Ring	190	210
3/4" Hex nut	Demountable	210	260
3/4" Spherical nut	Single Wheel	450	500
3/4" Spherical nut	Inner Dual	450	500
1 1/8" Spherical nut	Outer Dual	450	500
5/8" Flange nut	Wheels	275	325

**PAGES 64 -67  
HAVE BEEN OMITTED**



# FREE BACKING BRAKE CLUSTER

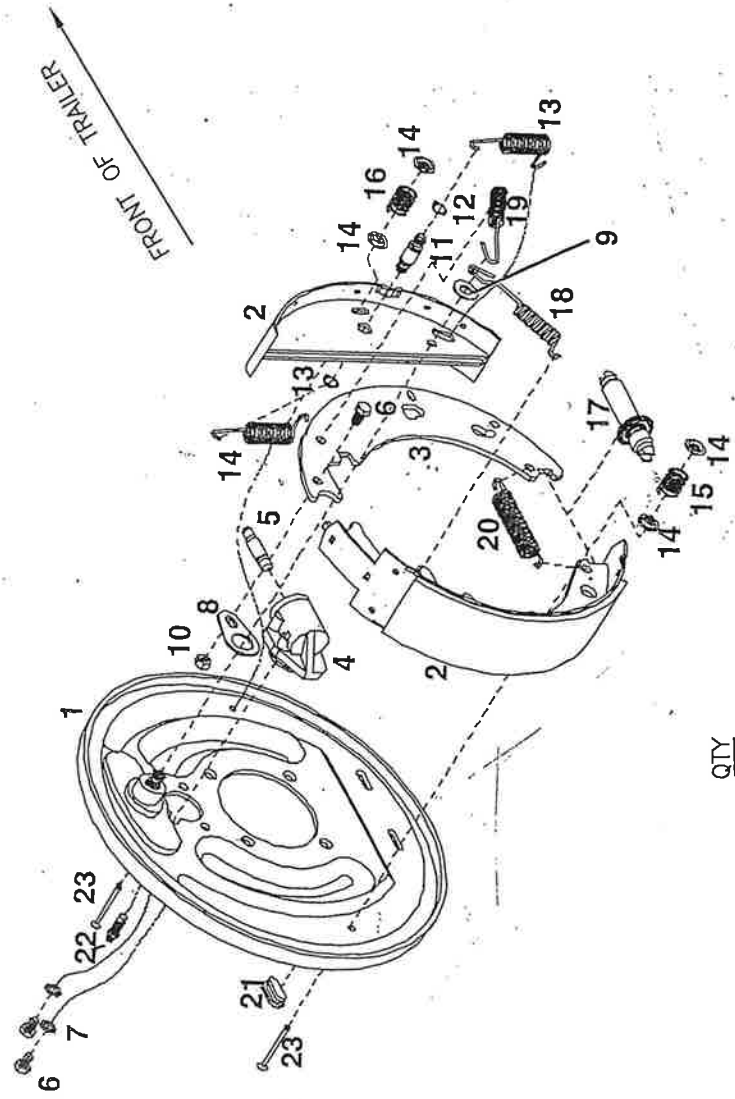
12 INCH DIAMETER (R.H. SHOWN)



ITEM	PART NO.	DESCRIPTION	QTY
1	47005758	BRAKE CLUSTER, L.H.	1
2	47005757	BRAKE CLUSTER, R.H.	1
3	47005759	BRAKE DRUM (NOT SHOWN)	1
4	SB18496	BACK PLATE ASSEMBLY (W/PIVOT POST) SOLD AS COMPLETE CLUSTER ONLY	1
5	SB18498	BRAKE SHOE KIT, (2 FRONT & 2 REAR)	3
6	30582	SHOE LEVER	2
7	30581	WHEEL CYLINDER ASSEMBLY, L.H.	1
8	30587	WHEEL CYLINDER ASSEMBLY, R.H.	1
9	18056416	PUSH ROD	1
10	SB17917	BOLT, HEX. HD. 5/16-18UNC. X 5/8	3
11	18811400	EXTERNAL TOOTH WASHER, 5/16	2
12	18457600	TRAVEL LINK	1
13	18055718	FLATWASHER, 1/2 USS, ZC.	1
14	30588	LOCKNUT, 5/16-18UNC.	1
15	30421	BOLT, HEX. HD. 1/4-20UNC. X 3/4	1
16	30420	LOCKNUT, 1/4-20UNC.	1
17		PIN, SPRING ANCHOR	1
18		RETAINING RING	1
19		SPRING, SHOE RETURN	2
20	14	CUP, SHOE HOLD DOWN	4
21	15	SPRING, SHOE HOLD DOWN - BLUE	1
22	16	SPRING, SHOE HOLD DOWN - MAROON	1
23	17	ADJUSTING SCREW ASSEMBLY	1
24	18	SPRING, SHOE	1
25	19	SPRING, LEVER	1
26	20	SPRING, ADJUSTING SCREW	1
27	21	COVER GROMMET, ADJUSTING HOLE	2
28	22	BLEEDER	1
29	23	PIN, SHOE HOLD DOWN - # 4	4
30	23A	PIN, SHOE HOLD DOWN - # 1	1
31	94005	WHEEL CYLINDER REPAIR KIT	1
32		INCLUDES (1 EACH) SPRING, CUP AND BOOT	2

# FREE BACKING BRAKE CLUSTER

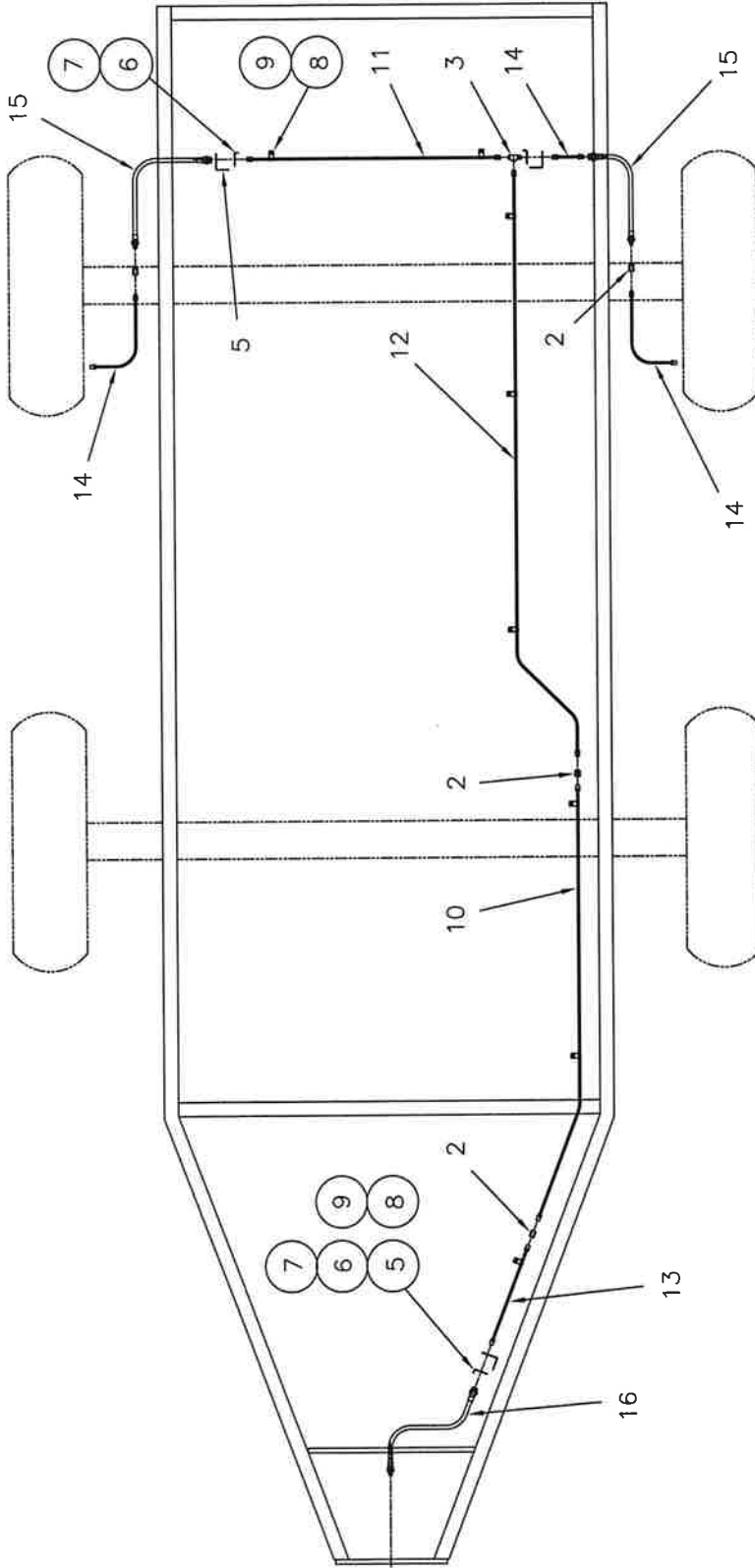
13 INCH DIAMETER (R.H. SHOWN)



ITEM	PART NO.	DESCRIPTION	QTY
15	30601	SPRING, SHOE HOLD DOWN - BLUE	1
16	30591	SPRING, SHOE HOLD DOWN - MAROON	1
17	30598	ADJUSTING SCREW BOLT	1
18	30599	ADJUSTING SCREW NUT	1
19	30595	SPRING, SHOE	1
20	30596	SPRING LEVER	1
21	30597	SPRING, ADJUSTING SCREW	1
22	92455	COVER GROMMET, ADJUSTING HOLE	2
23	30580	BLEEDER	1
	30589	PIN, SHOE HOLD DOWN - # 6	2
94005		WHEEL CYLINDER REPAIR KIT	1
		INCLUDES (1 EACH) SPRING, CUP AND BOOT	2

ITEM	PART NO.	DESCRIPTION	QTY
1	47005652	BRAKE CLUSTER, L.H.	1
2	47005651	BRAKE CLUSTER, R.H.	1
2A	47005650	BRAKE DRUM (NOT SHOWN)	1
3	30578	BACK PLATE ASSEMBLY (W/PIVOT POST) SOLD AS COMPLETE CLUSTER ONLY	1
4	03184	BRAKE SHOE, (BACK)	1
5	03183	BRAKE SHOE, (FRONT)	1
6	30594	SHOE LEVER	1
7	30582	WHEEL CYLINDER ASSEMBLY, L.H.	1
8	30581	WHEEL CYLINDER ASSEMBLY, R.H.	1
9	30587	PUSH ROD	1
10	18056416	BOLT, HEX. HD. 5/16-18UNC. X 5/8	3
11		EXTERNAL TOOTH WASHER, 5/16	2
12	30593	TRAVEL LINK	1
13	18811400	FLATWASHER, 1/2 USS, ZC.	1
14	18457600	LOCKNUT, 5/16-18UNC.	1
15	30588	PIN, SPRING ANCHOR	1
16	30421	RETAINING RING	1
17	30420	SPRING, SHOE RETURN	1
18	30590	CUP, SHOE HOLD DOWN	4

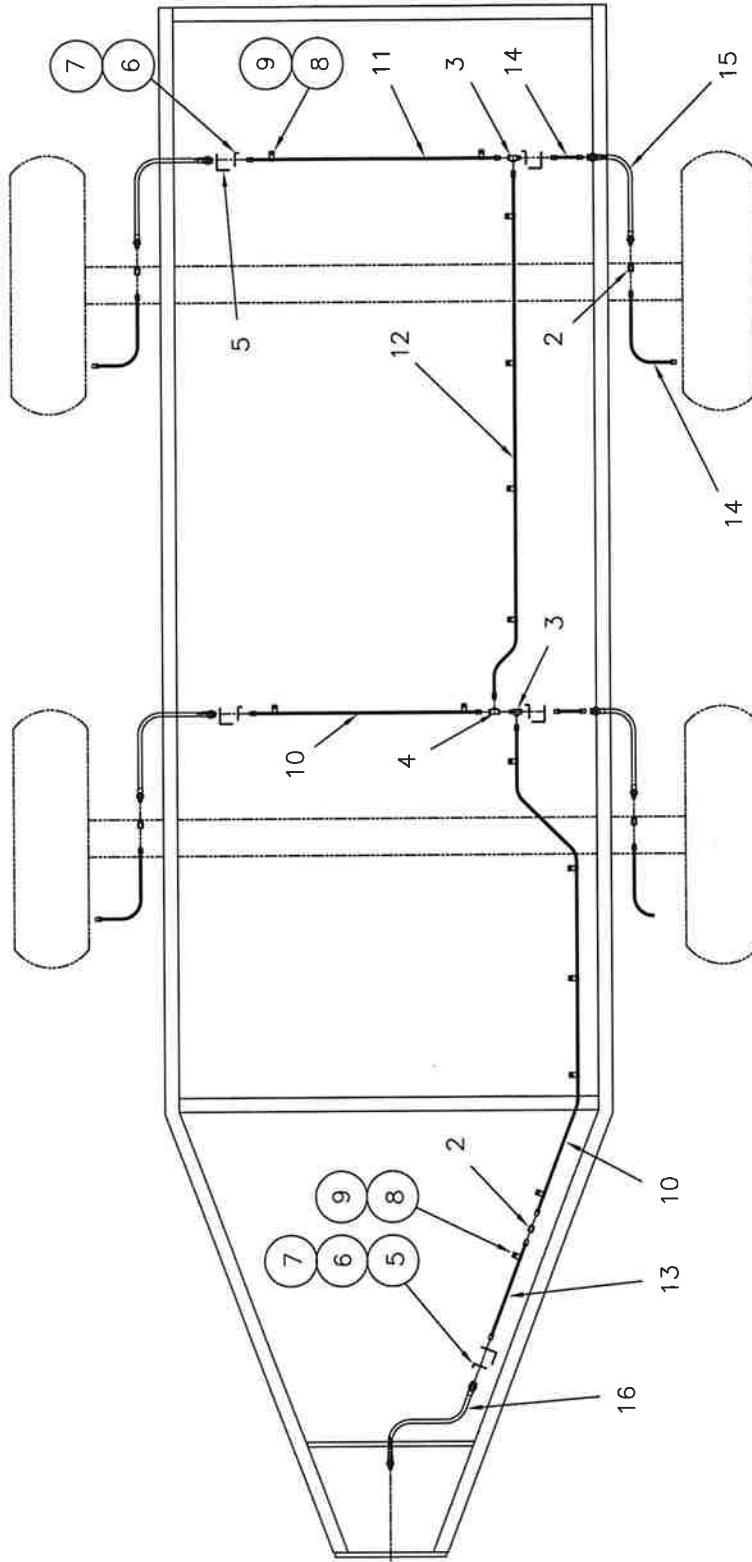
AG500 WAGON 2-WHEEL BRAKES  
BRAKE LINE SCHEMATIC ILLUSTRATION



ITEM	PART NO.	DESCRIPTION	QTY	ITEM	PART NO.	DESCRIPTION	QTY
1	47005850	COMPLETE BRAKE PACKAGE	2	10	47005688	TUBE, BRAKE LINE, (60")	1
2	47005660	UNION	2	11	47005687	TUBE, BRAKE LINE, (30")	1
3	47005680	TEE, F X F X M	1	12	47005695	TUBE, BRAKE LINE, (51")	1
4				13	47005692	TUBE, BRAKE LINE, (20")	1
5	47005663	HOSE BRACKET	3	14	47005682	TUBE, BRAKE LINE, (4")	3
6	47005664	HOSE CLIP	3	15	47005667	BRAKE HOSE, (25")	2
7	18721019	SCREW, 1/4 X 3/4 SELF-TAP	3	16	47005665	BRAKE HOSE, (18")	1
8	47005666	LINE CLIP	8				
9	18721018	SCREW, #10 X 3/4 SELF-TAP	8				

AG500 WAGON 4-WHEEL BRAKES  
BRAKE LINE SCHEMATIC ILLUSTRATION

AG5004WLBK  
REV 03-19-10  
FOR DICO  
ACTUATOR

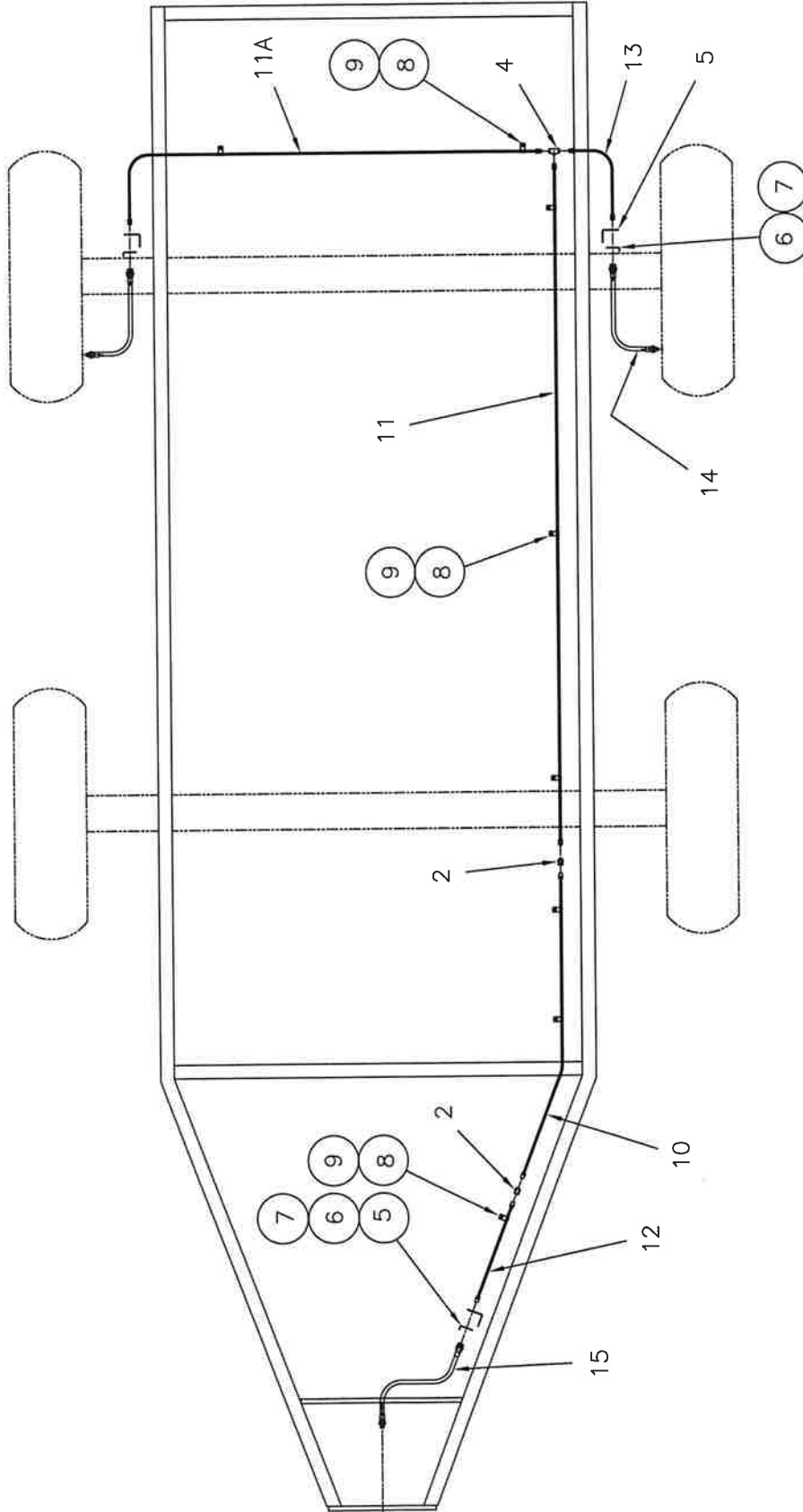


ITEM	PART NO.	DESCRIPTION	QTY	ITEM	PART NO.	DESCRIPTION	QTY
1	47005854	COMPLETE BRAKE PACKAGE	2	10	47005688	TUBE, BRAKE LINE, (60")	2
2	47005660	UNION	2	11	47005687	TUBE, BRAKE LINE, (30")	1
3	47005680	TEE, F X F X M	2	12	47005695	TUBE, BRAKE LINE, (51")	1
4	47005685	UNION TEE	1	13	47005692	TUBE, BRAKE LINE, (20")	1
5	47005663	HOSE BRACKET	5	14	47005682	TUBE, BRAKE LINE, (4")	5
6	47005664	HOSE CLIP	5	15	47005667	BRAKE HOSE, (25")	4
7	18721019	SCREW, 1/4 X 3/4 SELF-TAP	5	16	47005665	BRAKE HOSE, (18")	1
8	47005666	LINE CLIP	14				
9	18721018	SCREW, #10 X 3/4 SELF-TAP	14				

AG600 WAGON 2-WHEEL BRAKES  
BRAKE LINE SCHEMATIC ILLUSTRATION

AG600BRK  
 REV 03-28-12

FOR DICO  
 ACTUATOR



ITEM	PART NO.	DESCRIPTION	QTY	ITEM	PART NO.	DESCRIPTION	QTY
1	47005860	COMPLETE BRAKE PACKAGE	2	10	47005688	TUBE, BRAKE LINE, (60")	1
2	47005660	UNION	1	11	47005695	TUBE, BRAKE LINE, (51")	1
3			3	11A	47005687	TUBE, BRAKE LINE, (30")	1
4	47005685	UNION TEE	3	12	47005692	TUBE, BRAKE LINE, (20")	1
5	47005663	HOSE BRACKET	3	13	47005686	TUBE, BRAKE LINE, (8")	1
6	47005664	HOSE CLIP	3	14	47005667	BRAKE HOSE, (25")	2
7	18721019	SCREW, 1/4 X 3/4 SELF-TAP	8	15	47005665	BRAKE HOSE, (18")	1
8	47005666	LINE CLIP	8				
9	18721018	SCREW, #10 X 3/4 SELF-TAP	8				



## BRAKE CLUSTER SETUP, ADJUSTMENT, & BLEEDING

Your brake cluster was centered to the spindled drum before it was tightened to ensure proper operation. When replacing or installing new brake clusters, first finger tighten the bolts mounting the brake flange cluster so it can still float, then install the hub and drum assembly and adjust the brake shoes tight to the drum to center the cluster to the drum. Then, tighten the nuts to hold the cluster in place. Now remove the drum to allow access to the boltheads to hold and torque the nuts to 75 ft pounds. Then reinstall the hub.

### WARNING

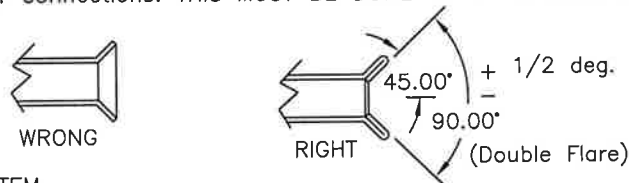
Saltwater, granular fertilizer and other corrosive materials are destructive to metal. To prolong the life of a braking system used under corrosive conditions we recommend that the actuator be flushed periodically with a high pressure water hose. Be sure to regrease bearings and oil all moving parts after the unit has dried. For "end of season" storage remove the brake drums and clean inside the brakes. Pack the wheel bearings before the drums are reinstalled.

#### 1 INITIAL BRAKE CLUSTER SETUP & ADJUSTMENT

The brake adjustment nut is located through the slot at the bottom of the backing plate. Insert brake tool or screw driver into slotted hole with the handle up and a bit against the adjusting nut, pull down on handle and rotate the wheel tightening the nut. ALWAYS ROTATE WHEEL IN DIRECTION OF FORWARD ROTATION ONLY! When you can no longer rotate wheel, back off the tightener 33 clicks to obtain a desired gap of .030 inches between the brake shoe and the brake drum. AT ALL TIMES during the setup and adjustment the drum needs to be rotated in the forward direction of travel because Ag Systems uses free-backing type brake clusters. Check that the brakes function properly when applied and that when released, the brakes do not drag. ONLY A CERTIFIED PROFESSIONAL MECHANIC SHOULD INSTALL BRAKE CLUSTERS.

#### 2 BRAKE LINES

Use care in forming tubing to avoid sharp bends or kinks. Use double flare steel tubing to assure leakproof connections. THIS MUST BE DONE BY A CERTIFIED BRAKE SHOP!



#### 3 BLEEDING THE SYSTEM

The first requirement for safe, sure hydraulic braking is the use of quality brake fluid. Use only DOT-3 or DOT-4 brake fluid from a sealed container. If pressure bleeding equipment is available, follow the manufacturer's instructions for bleeding the system. IF SYSTEM MUST BE BLED MANUALLY, PROCEED AS FOLLOWS.

Fill master cylinder with fluid. Install the bleeder hose on the first wheel cylinder to be bled. (If tandem axle trailer, bleed rear axle first.) Have the loose end of the hose submerged in brake fluid in a glass container to observe bubbling.

By loosening the bleeder screw located in the wheel cylinder one turn, the system is open to the atmosphere through the passage drilled in the screw.

Pump the actuator with long steady strokes. The bleeding operation is completed when bubbles no longer rise to the surface of the fluid.

BE SURE TO CLOSE THE BLEEDER SCREW SECURELY.

Repeat bleeding operation at each wheel cylinder. During bleeding process, replenish the brake fluid so the level does not fall below the half full level in the master cylinder reservoir. After bleeding is completed, make sure the master cylinder reservoir is filled and the filler cap is securely in place. After the bleeding operation is completed, apply pressure to the system and check the entire brake system for leaks.

#### 4 ADJUSTING THE BRAKES (AFTER BLEEDING BRAKES)

On new spreaders or tandems with brakes, trip the emergency brake and check and adjust shoes accordingly to be free and that they hold properly when activated.

(See initial brake cluster & adjustment section above for setup information.)

Check that brakes function properly when applied and that when released, the brakes are releasing properly and do not significantly drag.

### WARNING !

FAILURE TO FOLLOW THESE INSTRUCTIONS, OR FAILURE TO PROPERLY MAINTAIN BRAKES AFTER INSTALLATION CAN RESULT IN LOSS OF BRAKING ACTION WHICH CAN CAUSE PERSONAL INJURY, DEATH, OR PROPERTY DAMAGE. ONLY A CERTIFIED PROFESSIONAL MECHANIC SHOULD INSTALL BRAKE CLUSTERS. HAVE YOUR BRAKES INSPECTED BY A CERTIFIED PROFESSIONAL MECHANIC AND ANNUALLY AFTER INSTALLATION.

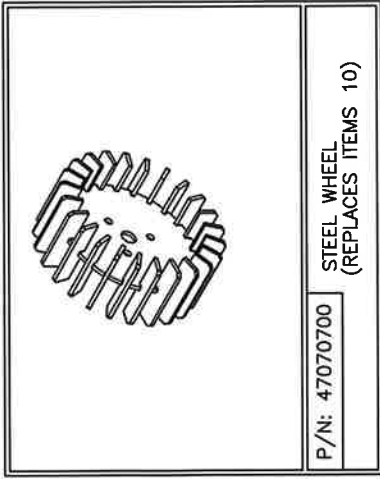




APRON DRIVE ASSEMBLY  
MECHANICAL CONTROL  
STANDARD AND LO-SPEED DRIVE

APDRVMLST03  
07/12/23

ITEM	PART NO.	DESCRIPTION	QTY.	ITEM	PART NO.	DESCRIPTION	QTY.
		STANDARD SPEED DRIVE COMPLETE FOR AG400		30	18056842	BOLT, 3/8-16NC. X 3 1/2	2
	44004002	FOR AG400		31	18496800	FLANGE NUT, 3/8-16NC.	2
	45000002	FOR AG500 AND AG600		32	18901805	GREASE ZERK, STRAIGHT	4
	48000002	FOR AG800 & AGX10		33	18300322	WASHER, N.R. MACH. BUSH. 1 X 14 GA	3
1	47009795	UPPER FRAME, AG600 & AG500	1	33A	18851600	FLATWASHER, 5/8	1
2	47009801	UPPER FRAME, AG800/AGX10/AG400	1	34	18590094	HAIRPIN BRIDGE, .178 DIA. NO. 8	1
3	47009556	DRIVE BASE, AG400 ONLY	1	34A	18590148	HAIRPIN BRIDGE, .148 DIA. NO. 9	1
4	47009172	DRIVE BASE, AG400 ONLY	1	35	18560826	COTTER PIN, 3/16 X 1 1/2	1
5	47009018	CATCH ASSEMBLY	1	35A	18560722	COTTER PIN, 5/32 X 1	1
6	47009413	TRIP CATCH ASSEMBLY	1	36	18056824	BOLT, 3/8-16NC. X 1 1/4	4
7	47009187	TRIP CATCH ASSY. AG400 ONLY	1	37	18811200	FLATWASHER, 3/8	4
8	47009029	ADJUSTING BOLT, FEMALE	1	38	18496800	FLANGE NUT, 3/8-16NC.	4
9	47009026	ADJUSTING BOLT, MALE	1	39	18056826	BOLT, 3/8-16NC. X 1 1/2	12
10*	47009997	HUB, 3-BOLT	1	40	18496800	FLANGE NUT, 3/8-16NC.	12
	8	BENT BOLT, 3/8-16NC. X 3 1/2	1	41	05239	PILLOW BLOCK, 1" BEARING	6
	9	FLANGE NUT, 3/8-16NC.	1	42	34307	SPROCKET, 40B15	1
	10*	WHEEL ASSEMBLY (INCLUDES)	1	43	30894	SPROCKET, 40B25	1
		RIM		44	10106	SPROCKET, 50B13	1
		TUBE		45	31515	DOUBLE SPROCKET, 40 X 84-96 X 1	1
		TIRE, 4.10 X 6		46	18901807	GREASE ZERK, 45 DEG.	1
11	18057522	WHEEL BOLT, 1/2-20NF. X 1	3	47	31028	CONNECTOR LINK, NO. 40 S.S.	1
12	47005011	WHEEL NUT, 1/2-20NF.	3	48	31029	OFFSET LINK, NO. 40 S.S.	1
13	47006105	SHAFT, DRIVE WHEEL, 1 X 24 (STD)	1	49	30925	ROLLER CHAIN, NO. 40 X 77" S.S.	1
13	47009835	SHAFT, DRIVE WHEEL, 1 X 27 1/2	1				
		SPECIAL FOR 90 INCH TRACK WIDTH ONLY					
13	47006240	SHAFT, DRIVE WHEEL, 1 X 19	1				
		FOR AG400 ONLY					
14	2-6640	DRIVE KEY, 1/4 X 2 1/2	2	44004003	LO-SPEED DRIVE COMPLETE FOR AG400		
15	47006240	FRONT SHAFT, 1 X 19	1	45000003	FOR AG500 AND AG600		
16	47019185	FRONT SHAFT, 1 X 15 (AG400 ONLY)	1	48000003	FOR AG800 AND AGX10		
17	47006519	DRIVE KEY, 1/4 X 1 1/2	1				
18	47006060	PULL ROD, 1/4 POLY X 14 FT.	1				
19	18496800	FLANGE NUT, 3/8-16NC.	2				
20	47006653	CHAIN, #4-0 X 12 3/4" PASSING LINK 1 & AG600 REMOVE (2) LINKS=(13 LINKS)	1	50	47009800	JACK SHAFT, 1 X 8	1
21	47005546	UTILITY CLEVIS WITH CLEVIS PIN AND COTTER PIN	1	51	05239	PILLOW BLOCK, 1" BEARING	2
22	47006059	SAFETY CHAIN ASSEMBLY	1	52	30894	SPROCKET, 40B25	1
23	18496800	FLANGE NUT, 3/8-16NC.	1	53	18056826	BOLT, 3/8-16NC. X 1 1/2	4
24	47009038	TIGHTNER BOLT	1	54	18496800	FLANGE NUT, 3/8-16NC.	4
25	47009589	WING NUT STRAP ASSEMBLY	1	55	30925	ROLLER CHAIN, #40 X 63 1/2 S.S.	1
26	34325	WOOD BLOCK, CHAIN TIGHTNER	1	56	34307	SPROCKET, 40B15	1
27	47006627	EXTENSION SPRING, 2 X 9 1/2	2	57	47006519	DRIVE KEY, 1/4 X 1 1/2	2
28	47006654	CHAIN, #2-0 X 14 1/2 INCHES	2	58	31028	CONNECTOR LINK, NO. 40 S.S.	1
29	36995	WOOD BEARING BLOCK, UPPER	1	59	30925	ROLLER CHAIN, #40 X 21 1/2	1
		WOOD BEARING BLOCK, LOWER	1				



CHOOSE LO-RATE CHART DECAL (NOT IN KIT)

30854A DECAL, 40 FT. SPREAD  
30907A DECAL, 50 FT. SPREAD

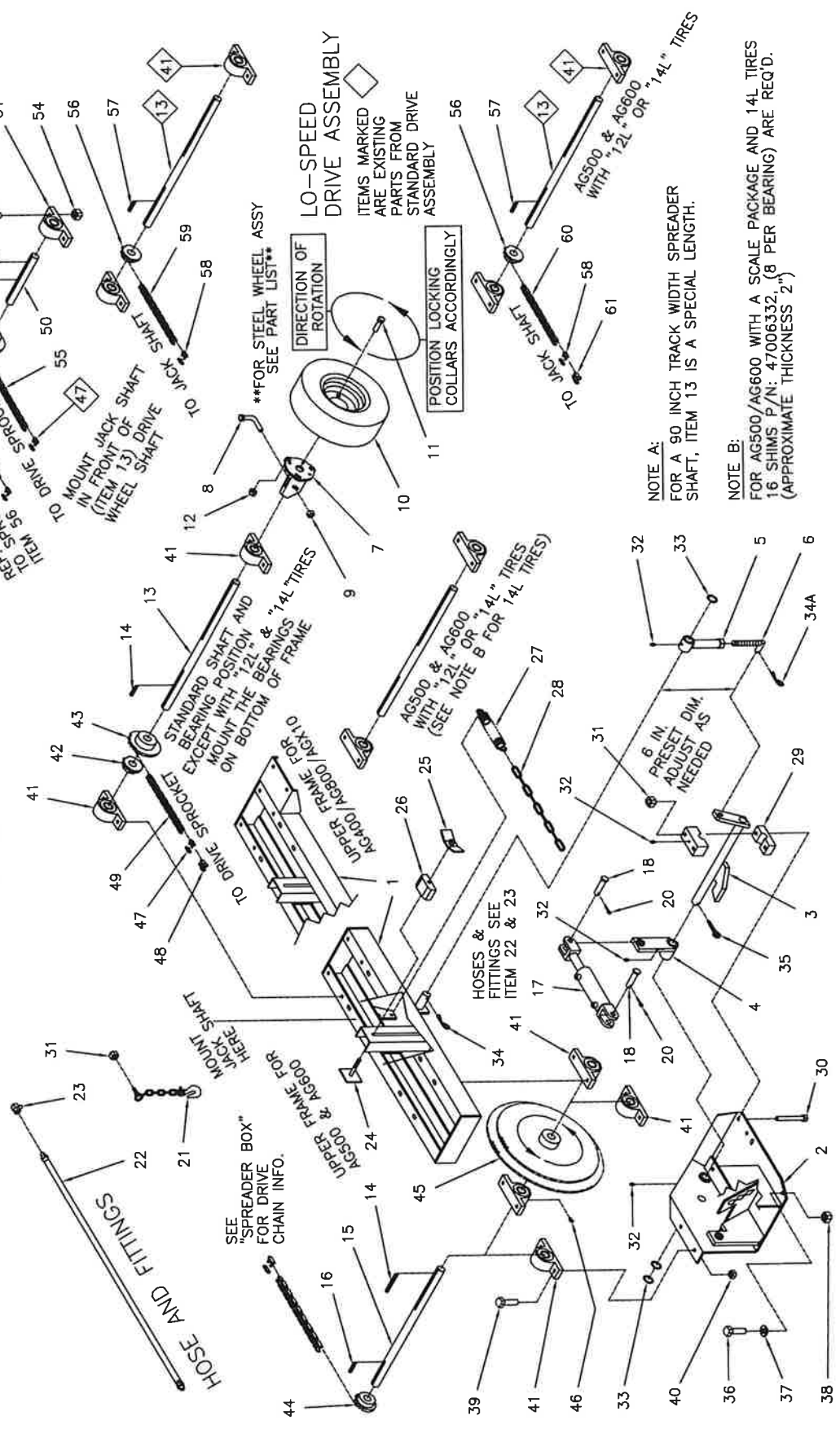
1 OR

ITEM 10 P/N: 01051 IS NOT INCLUDED WITH THE KIT AND MUST BE ORDERED SEPARATE

AS OF FALL 2023 - P/N: 47070700 IS INCLUDED WITH KITS :  
44004002, 44004003, 45000002, 45000003, 48000002 & 48000003

APDRVH03  
11/10/23

APRON DRIVE ASSEMBLY  
HYDRAULIC CONTROL  
STANDARD AND  
LO-SPEED DRIVE



NOTE A:  
FOR A 90 INCH TRACK WIDTH SPREADER  
SHAFT, ITEM 13 IS A SPECIAL LENGTH.

NOTE B:  
FOR AG500/AG600 WITH A SCALE PACKAGE AND 14L TIRES  
16 SHIMS P/N: 47006332, (8 PER BEARING) ARE REQ'D.  
(APPROXIMATE THICKNESS 2")

LO-SPEED  
DRIVE ASSEMBLY  
ITEMS MARKED  
WITH A DIAMOND  
ARE EXISTING  
PARTS FROM  
STANDARD DRIVE  
ASSEMBLY

\*\*FOR STEEL WHEEL ASSY  
SEE PART LIST\*\*



POSITION LOCKING  
COLLARS ACCORDINGLY

HOSES &  
FITTINGS SEE  
ITEM 22 & 23

AG500 & AG600  
WITH "12L" OR "14L" TIRES  
(SEE NOTE B FOR "14L" TIRES)

AG500 & AG600  
WITH "12L" OR "14L" TIRES  
(SEE NOTE B FOR "14L" TIRES)

UPPER FRAME FOR  
AG400/AG600/AGX10

UPPER FRAME FOR  
AG500 & AG600

SEE "SPREADER BOX"  
FOR DRIVE  
CHAIN INFO.

HOSE AND FITTINGS

MOUNT JACK SHAFT  
HERE

MOUNT JACK SHAFT  
IN FRONT OF  
WHEEL SHAFT  
(ITEM 13)  
DRIVE  
WHEEL SHAFT

REF. TO SPROCKET  
ITEM 56

TO DRIVE SPROCKET

TO JACK SHAFT

TO DRIVE SPROCKET

TO JACK SHAFT

AG500 & AG600  
WITH "12L" OR "14L" TIRES

POSITION LOCKING  
COLLARS ACCORDINGLY

DIRECTION OF  
ROTATION

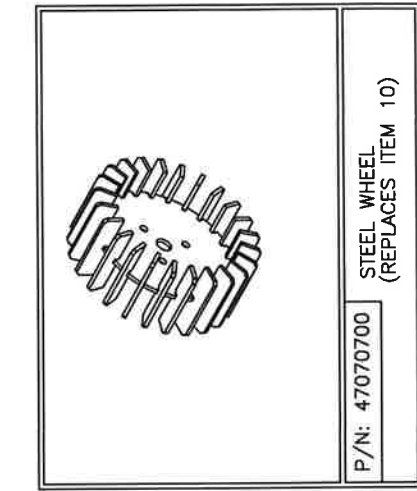
ITEMS MARKED  
WITH A DIAMOND  
ARE EXISTING  
PARTS FROM  
STANDARD DRIVE  
ASSEMBLY

LO-SPEED  
DRIVE ASSEMBLY

APDRVH03  
11/10/23

APDRVHLST03  
REV 11/10/23

APRON DRIVE ASSEMBLY  
HYDRAULIC CONTROL  
STANDARD AND LO-SPEED DRIVE



ITEM	PART NO.	DESCRIPTION	QTY.	ITEM	PART NO.	DESCRIPTION	QTY.
1	44004005	STANDARD SPEED DRIVE COMPLETE FOR AG400	1	31	18496800	FLANGE NUT, 3/8-16NC.	3
2	45000005	FOR AG500 AND AG600	1	32	18901805	GREASE ZERK, STRAIGHT	4
3	48000005	FOR AG800/AGX10	1	33	18300322	WASHER, N.R. MACH. BUSH, 1 X 14 GA.	3
4	47009795	UPPER FRAME, AG600 & AG500	1	34	18590094	HAIRPIN BRIDGE, .177 DIA. NO. 8	1
5	47009801	UPPER FRAME, AGX10/AG800/AG400	1	34A	18590148	HAIRPIN BRIDGE, .148 DIA. NO. 9	1
6	47003053	DRIVE BASE	1	35	18560826	COTTER PIN, 3/16 X 1 1/2	1
7	47019192	DRIVE BASE, AG400 ONLY	1	36	18056824	BOLT, 3/8-16NC. X 1 1/4	4
8	47003049	LIFT ARM	1	37	18811200	FLATWASHER, 3/8	4
9	47009196	LIFT ARM, AG400 ONLY	1	38	18496800	FLANGE NUT, 3/8-16NC.	4
10*	47009958	CYLINDER ARM	1	39	18056826	BOLT, 3/8-16NC. X 1 1/2	12
11	47009029	ADJUSTING BOLT, FEMALE	1	40	18496800	FLANGE NUT, 3/8-16NC.	12
12	47009026	ADJUSTING BOLT, MALE	1	41	05239	PILLOW BLOCK, 1" BEARING	6
13	47009997	HUB, 3-BOLT	1	42	34307	SPROCKET, 40B15	1
14	47006287	BENT BOLT, 3/8-16NC. X 3 1/2	1	43	30894	SPROCKET, 40B25	1
15	18496800	FLANGE NUT, 3/8-16NC.	1	44	10106	SPROCKET, 50B13	1
16	01051	WHEEL ASSEMBLY (INCLUDES)	1	45	31515	DOUBLE SPROCKET, 40 X 84-96 X 1	1
17	10211	RIM	1	46	18901807	GREASE ZERK, 45 DEG.	1
18	10210	TUBE	1	47	31028	CONNECTOR LINK, NO. 40 S.S.	1
19	10209	TIRE, 4.10 X 6	1	48	31029	OFFSET LINK, NO. 40 S.S.	1
20	18057522	WHEEL BOLT, 1/2-20NF. X 1	3	49	30925	ROLLER CHAIN, NO. 40 X 77" S.S.	1
21	47005011	WHEEL NUT, 1/2-20NF.	3				
22	47006105	SHAFT, DRIVE WHEEL, 1 X 24 (STD)	1				
23	47009835	SHAFT, DRIVE WHEEL, 1 X 27 1/2	1				
24	47006240	SPECIAL FOR 90 INCH TRACK WIDTH ONLY	1				
25	2-6640	DRIVE KEY, 1/4 X 2 1/2	2				
26	47006240	FOR AG400 ONLY	2				
27	47019185	FRONT SHAFT, 1 X 19	1				
28	47006519	DRIVE KEY, 1/4 X 1 1/2	1				
29	47005437	HYDRAULIC CYLINDER, 1 1/2 X 4	1				
30	20214	CYL. REPAIR KIT(WELD CLEVIS POST 2018)	1				
31	470AK284	CYL. REPAIR KIT(CAST CLEVIS PRE 2018)	1				
32	18541642	CLEVIS PIN, 5/8 X 2 1/2	2				
33	18541644	CLEVIS PIN, 5/8 X3	2				
34	18560722	COTTER PIN, 5/32 X 1	2				
35	47019158	SAFETY CHAIN ASSEMBLY	2				
36	609140	HYD. HOSE, 1/4 X 168 INCHES	2				
37	2501-6-6	#6 JICFS X 1/2 MPT ENDS	2				
38	47009038	ELBOW, 90 DEG. SWIVEL	2				
39	47009589	TIGHTENER BOLT	1				
40	34325	WOOD BLOCK, CHAIN TIGHTNER	1				
41	47006627	EXTENSION SPRING, 2 X 9 1/2	2				
42	47006654	CHAIN, #2-0 X 14 1/2 INCHES	2				
43	36995	WOOD BEARING BLOCK, UPPER	1				
44		WOOD BEARING BLOCK, LOWER	1				
45	18056842	BOLT, 3/8-16NC. X 3 1/2	2				

CHOOSE LO-RATE CHART DECAL (NOT IN KIT)  
30854A DECAL, 40 FT. SPREAD  
30907A DECAL, 50 FT. SPREAD

47070700 STEEL WHEEL (REPLACES ITEM 10)

ITEM 10 P/N: 01051 IS NOT INCLUDED WITH THE KIT AND MUST BE ORDERED SEPARATE

65 47006632 SHIM (.250) FOR PILLOW BLOCK 16  
ONLY REQ'D FOR 14L TIRES W/ SCALE PACKAGE ( 8/BEARING)

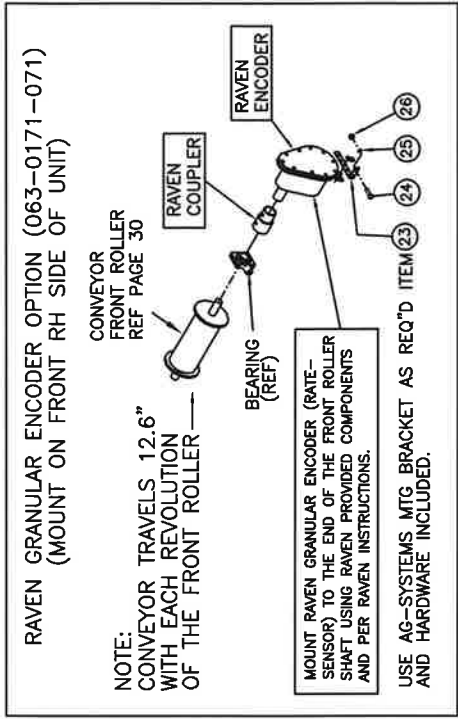
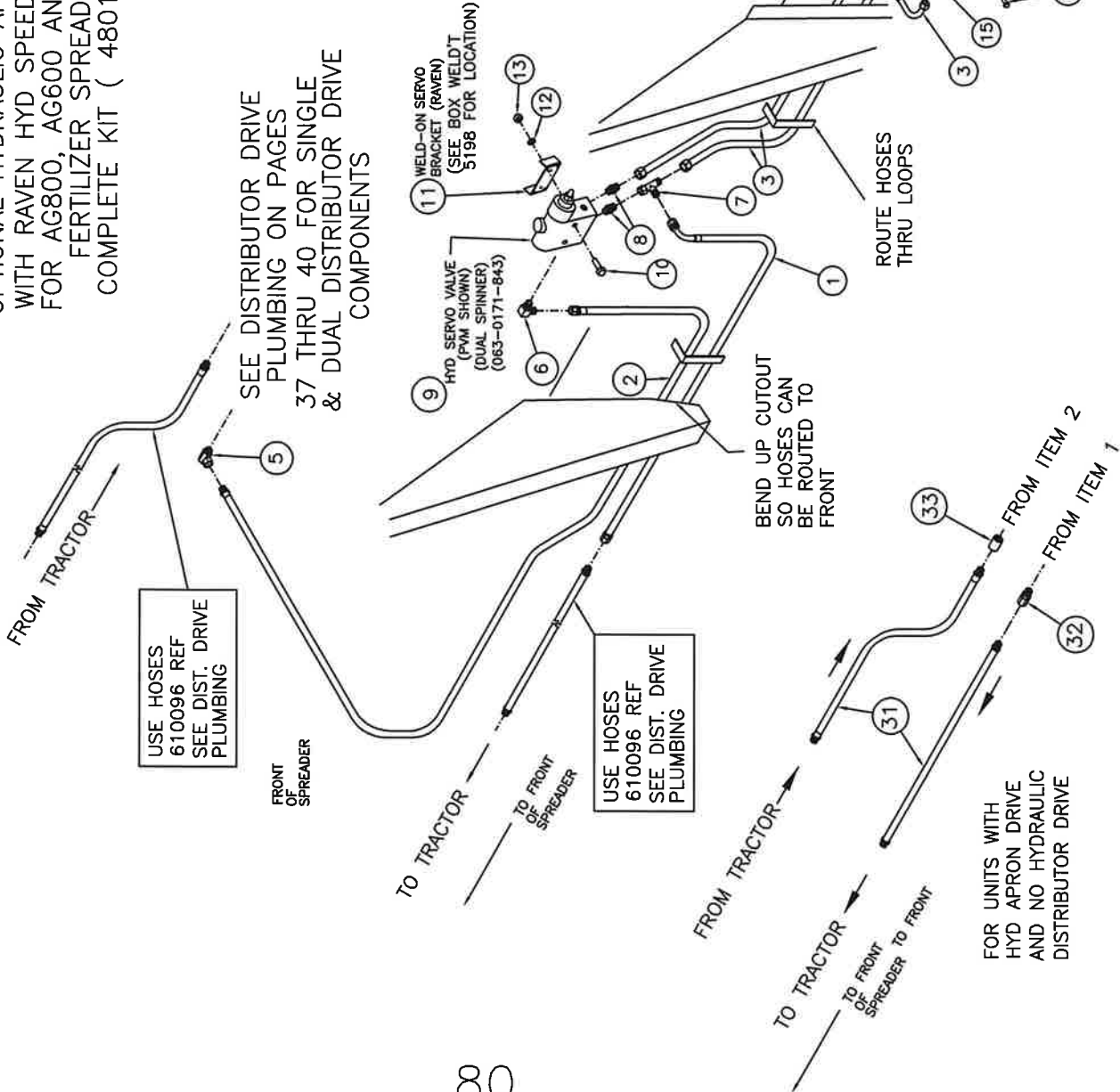
47070700 STEEL WHEEL (REPLACES ITEM 10)

PRIOR TO 2023 THERE WERE TWO SIZES OF CLEVIS PINS (ITEMS 18/19)

AS OF FALL 2023 - P/N: 47070700 IS INCLUDED WITH KITS :  
44004004, 44004005, 45000004, 45000005, 48000004 & 48000005

OPTIONAL HYDRAULIC APRON DRIVE  
WITH RAVEN HYD SPEED CONTROL  
FOR AG800, AG600 AND AG500  
FERTILIZER SPREADERS  
COMPLETE KIT ( 48010899 )

FOR 2014 and OLDER MODELS



DRIVE CHAIN 84 INCHES LONG  
REPLACES 157 INCH LONG, SEE  
CHAIN REF PAGE 30 OF THIS MANUAL

SEE BOX WELD'T 5198 FOR  
WELD ON BRACKET LOCATIONS  
NEEDED FOR HYD APRON DRIVE  
AND HYD SPEED CONTROL OPTIONS.

USE HOSES  
610096 REF  
SEE DIST. DRIVE  
PLUMBING

USE HOSES  
610096 REF  
SEE DIST. DRIVE  
PLUMBING

SEE DISTRIBUTOR DRIVE  
PLUMBING ON PAGES  
37 THRU 40 FOR SINGLE  
& DUAL DISTRIBUTOR DRIVE  
COMPONENTS

BEND UP CUTOUT  
SO HOSES CAN  
BE ROUTED TO  
FRONT

FOR UNITS WITH  
HYD APRON DRIVE  
AND NO HYDRAULIC  
DISTRIBUTOR DRIVE

# A800, 600, 500

HYDCVSPRDRVLST

OPTIONAL HYDRAULIC APRON DRIVE  
WITH RAVEN HYDRAULIC SPEED CONTROL  
2014 AND OLDER MODELS

1/5/16

( 48010899 ) COMPLETE KIT INCLUDES ITEMS 1 THRU 30 ONLY

ITEM	PART NO.	DESCRIPTION	QTY.
1	612108	HOSE, 3/4 X 108, #12JICFS 90° X 3/4 FM PIPE	1
2	611120	HOSE, 3/4 X 120, #12JICFS X 3/4 MALE PIPE	1
3	632036	HOSE, 3/4 X 36, #12JICFS 90° X #12JICFS	2
4	31027	ROLLER CHAIN SS, #50 X 84.00 LONG	1
5	1501-12	MALE PIPE ELBOW SWIVEL	1
6	6801-12	STRAIGHT THREAD ELBOW	1
7	6602-12	SWIVEL NUT RUN TEE	1
8	6400-12	STRAIGHT THREAD CONNECTOR	4
9	063-0171-843	PWM VALVE, 15GPM	1
10	18056842	BOLT, 3/8 -16 X 3 1/2 LONG ZC	2
11	47003853	BRACKET, FOR RAVEN HYD SERVO	1
12	18891200	FLATWASHER, 3/8 ZC	4
13	18457800	NUT, CTR LOCK 3/8-16 NC ZC	4
14	6801-12	STRAIGHT THREAD ELBOW	1
15	6400-12	STRAIGHT THREAD CONNECTOR	1
16	51930	HYDRAULIC MOTOR	1
17	47005190	CONVEYOR MOTOR BRACKET	1
18	18824800	FLATWASHER, 1/2 SS	4
19	18997400	NUT, HEX, 1/2-13 NC SS	4
20	18022026	BOLT, 1/2-13 NC X 1 1/2 SS	4
21	18991400	LOCKWASHER, 1/2 SS	4
22	31212	CONNECTING LINK, #50 CHAIN SS	1
23	31213	OFFSET LINK, #50 CHAIN SS	1
24	47003903	ENCODER BRACKET	1
25	18025715	BOLT, HEX #10-24 X 3/4 SS	2
26	18812300	FLATWASHER, #10 ZC	2
27	18987800	NUT, FLANGE #10-24 UNC SS	2
28	10106	SPROCKET, #50 13 TOOTH X 1.00 BORE	1
29	* 063-0171-071	ENCODER	1
30	* 115-0159-787	FLOW CABLE 21'	1

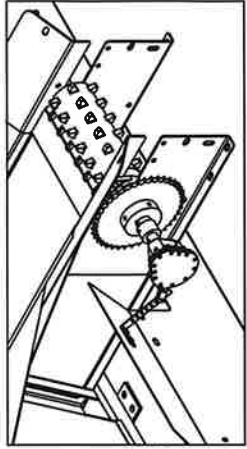
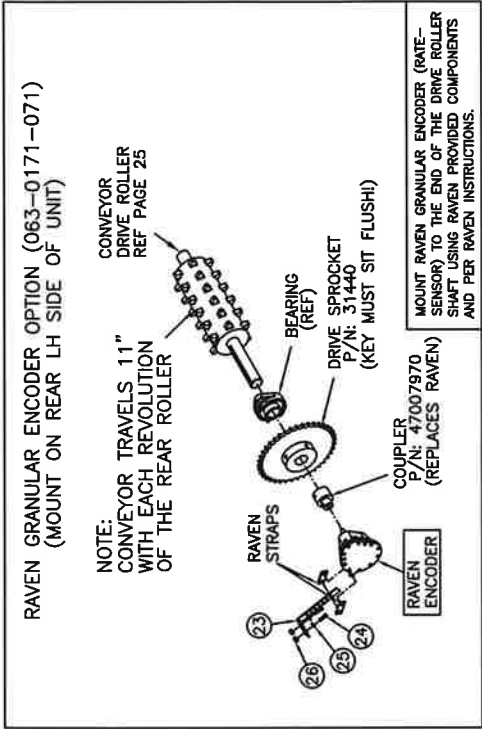
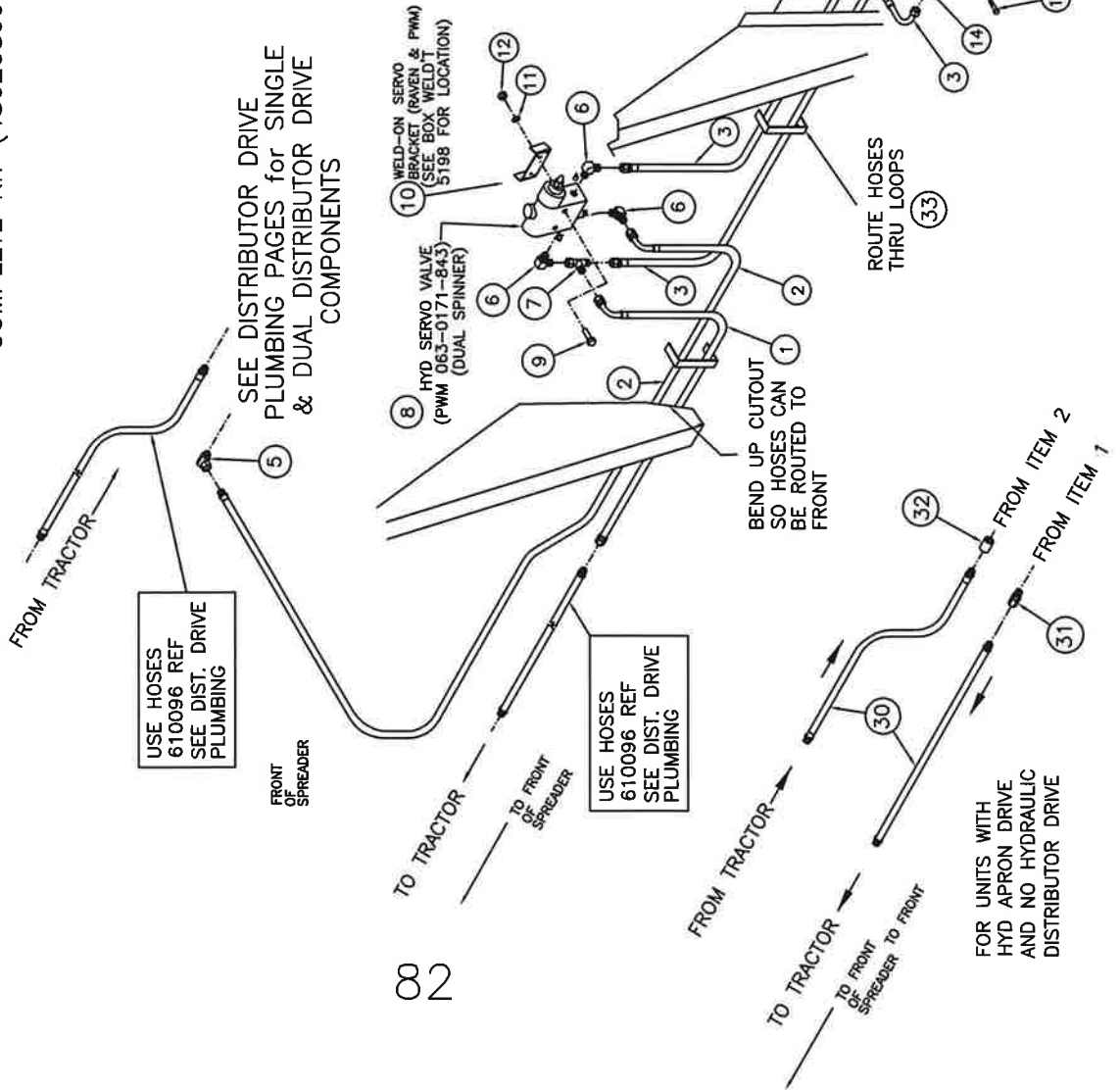
(\* - not shown for clarity)

FOR HYD APRON DRIVE ONLY AND  
NO HYD DISTRIBUTOR DRIVE USE  
ITEMS 31 THRU 33

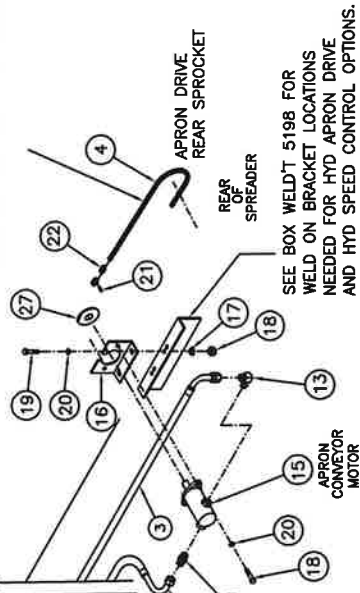
31	610096	HYD HOSE	2
32	LT-75-00N	CHECK VALVE	1
33	100372	PIPE COUPLING, 3/4 NPT	1

OPTIONAL HYDRAULIC APRON DRIVE WITH PWM  
 (PULSE WIDTH MODULATED) HYD SPEED CONTROL  
 FOR AGX10, AG800, AG600 AND AG500  
 FERTILIZER SPREADERS  
 COMPLETE KIT (48020899)

HYDPWM  
 10/9/23



DRIVE CHAIN 84 INCHES LONG  
 REPLACES 157 INCH LONG, SEE  
 CHAIN REF PAGE 30 OF THIS MANUAL



SEE BOX WELD'T 5198 FOR  
 WELD ON BRACKET LOCATIONS  
 NEEDED FOR HYD APRON DRIVE  
 AND HYD SPEED CONTROL OPTIONS.

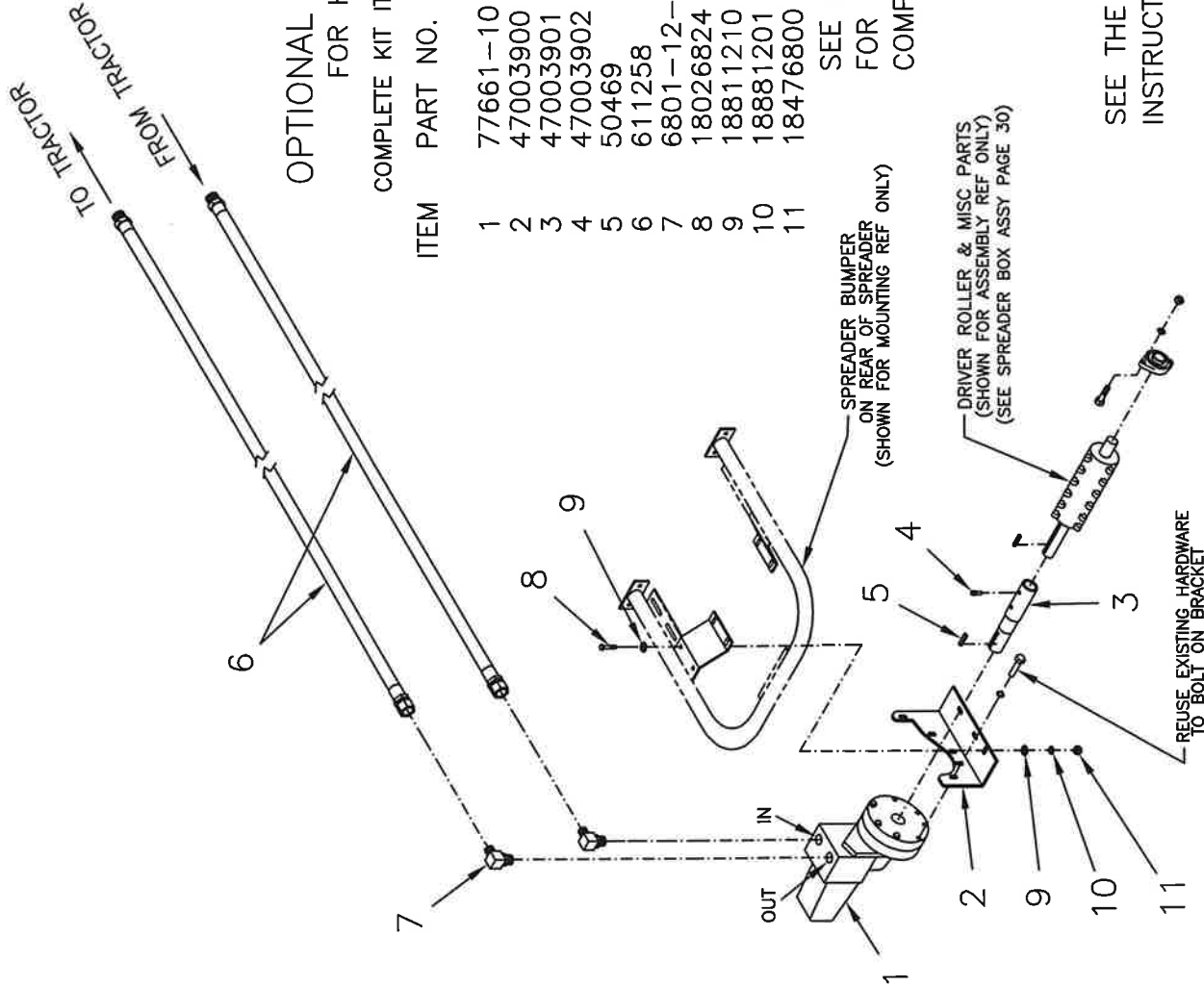
AGX10, 800, 600, 500  
 OPTIONAL HYDRAULIC APRON DRIVE  
 WITH PWM HYDRAULIC SPEED CONTROL  
 2015 AND NEWER

HYDPWMLST  
 11/10/23

( 48020899 ) COMPLETE KIT INCLUDES ITEMS 1 THRU 29 & 33 THRU 37

<u>ITEM</u>	<u>PART NO.</u>	<u>DESCRIPTION</u>	<u>QTY.</u>
1	612108	HOSE, 3/4 X 108, #12JICFS 90° X 3/4 FM PIPE	1
2	611120	HOSE, 3/4 X 120, #12JICFS X 3/4 MALE PIPE	1
3	632036	HOSE, 3/4 X 36, #12JICFS 90° X #12JICFS	2
4	31027	ROLLER CHAIN SS, #50 X 84.00 LONG	1
5	1501-12	MALE PIPE ELBOW SWIVEL	1
6	6801-12	STRAIGHT THREAD 90° ELBOW	3
7	6602-12	SWIVEL NUT RUN TEE	1
8	063-0171-843	PWM VALVE, 15 GPM	1
9	18056842	BOLT, 3/8 -16 X 3 1/2 LONG ZC	2
10	47003853	BRACKET, FOR RAVEN&PWM HYD SERVO	1
11	18891200	FLATWASHER, 3/8 ZC	4
12	18457800	NUT, CTR LOCK 3/8-16 NC ZC	4
13	6801-12	STRAIGHT THREAD ELBOW	1
14	6400-12	STRAIGHT THREAD CONNECTOR	1
15	51930	HYDRAULIC MOTOR	1
16	47005190	CONVEYOR MOTOR BRACKET	1
17	18824800	FLATWASHER, 1/2 SS	4
18	18997400	NUT, HEX, 1/2-13 NC SS	4
19	18022026	BOLT, 1/2-13 NC X 1 1/2 SS	4
20	18991400	LOCKWASHER, 1/2 SS	4
21	31212	CONNECTING LINK, #50 CHAIN SS	1
22	31213	OFFSET LINK, #50 CHAIN SS	1
23	47003903	ENCODER BRACKET	1
24	18025715	BOLT, HEX #10-24 X 3/4 SS	2
25	18812300	FLATWASHER, #10 ZC	2
26	18987800	NUT, FLANGE #10-24 UNC SS	2
27	10106	SPROCKET, #50 13 TOOTH X 1.00 BORE	1
28	* 063-0171-071	ENCODER	1
29	* 115-0159-787	FLOW CABLE 21'	1
		(* - not shown for clarity)	
		FOR HYD APRON DRIVE ONLY AND	
		NO HYD DISTRIBUTOR DRIVE USE	
		ITEMS 30 THRU 32	
30	610096	HYD HOSE	2
31	LT-75-00N	CHECK VALVE	1
32	100372	PIPE COUPLING, 3/4 NPT	1
33	5197	HOSE GUIDE BRACKET	2
34	47007970	1 1/4" COUPLER (GRAN. ENCODER)	1
35	47005193	CONVEYOR MOTOR MOUNT SUPPORT	1
36	2-5194	DICKEY JOHN SERVO VALVE MOUNT	1
37	2-5192	FLOW REGULATOR MOUNT	1

SEE PRINT  
 5198



OPTIONAL TRIMBLE IQ RATE CONTROL KIT  
FOR HYD DRIVE FERTILIZER SPREADERS

COMPLETE KIT ITEMS 1 THRU 11 ( 47993900 )

ITEM	PART NO.	DESCRIPTION	QTY
1	77661-10	TRIMBLE HYD DRIVE CONTROL KIT	1
2	47003900	FIELD IQ MOUNTING BRACKET	1
3	47003901	ADAPTER SHAFT FOR FIELD IQ UNIT	1
4	47003902	KEY, 1/2 SQ. X 2 1/4 LONG	1
5	50469	SETScrew, 1/4-28 X 1/4	4
6	611258	HYD. HOSE WITH ENDS	2
7	6801-12-16	ELBOW, #12 JIC TO O-RING	2
8	18026824	BOLT, HEX HD 3/8-16 X 1 1/4 SS	3
9	18811210	FLATWASHER, 3/8 SS	6
10	18881201	LOCKWASHER, 3/8 SS	3
11	18476800	HEX. NUT, 3/8-16NC. SS	3

SEE PAGES 37 THRU 41 IN THIS MANUAL  
FOR OTHER HYDRAULIC DRIVE OPTIONAL  
COMPONENTS.

SEE THE TRIMBLE OPERATORS MANUAL FOR OPERATING  
INSTRUCTIONS





# WEIGH BAR ASSEMBLY (UP TO 2018)

FOR FERTILIZER SPREADER MODELS  
AG500 - AG600 - AG800

WITH "DIGI-STAR" WEIGH SYSTEMS

ILLUSTRATED WITH  
THE INDICATOR  
MOUNTED IN THE  
TRACTOR CAB.

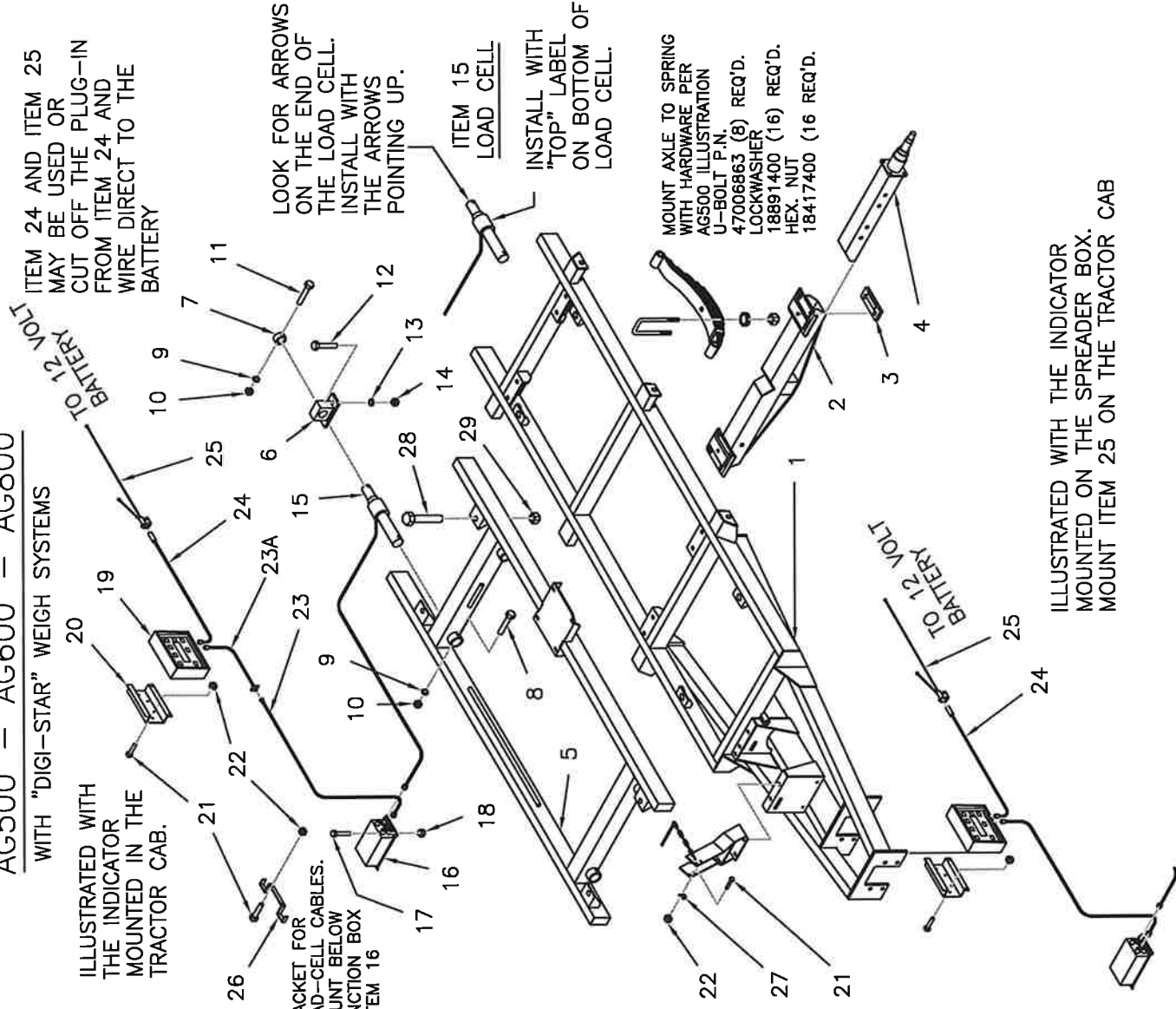
ITEM 24 AND ITEM 25  
MAY BE USED OR  
CUT OFF THE PLUG-IN  
FROM ITEM 24 AND  
WIRE DIRECT TO THE  
BATTERY

LOOK FOR ARROWS  
ON THE END OF  
THE LOAD CELL.  
INSTALL WITH  
THE ARROWS  
POINTING UP.

INSTALL WITH  
"TOP" LABEL  
ON BOTTOM OF  
LOAD CELL.

MOUNT AXLE TO SPRING  
WITH HARDWARE PER  
AG500 ILLUSTRATION  
U-BOLT P.N.  
47006863 (8) REQ'D.  
LOCKWASHER  
18891400 (16) REQ'D.  
HEX. NUT  
18417400 (16) REQ'D.

ITEM	PART NO.	DESCRIPTION	QTY.
1	47009728	MAIN FRAME, AG500 AND AG600	1
2	47019729	MAIN FRAME, AG800	1
3	47009520	AXLE CENTER TUBE, AG500 & AG600	2
4	47009404	MOUNT PER AG500 ILLUSTRATION FOR AG800 SEE AG800 ILLUSTRATION	-
5	47009725	AXLE CLAMP, AG500 AND AG600 FOR AG800 SEE AG800 ILLUSTRATION	-
6	47009718	STUB AXLE, AG500 AND AG600 FOR AG800 SEE AG800 ILLUSTRATION	1
7	47019730	WEIGH FRAME, AG500 AND AG600	1
8	47009755	WEIGH FRAME, AG800	4
9	47009717	LOAD CELL MOUNT	4
10	18056842	RETAINING COLLAR	4
11	18891200	BOLT, 3/8-16NC. X 3 1/2	4
12	18436800	LOCKWASHER, 3/8	4
13	18056838	HEX. NUT, 3/8-16NC.	8
14	18057430	BOLT, 3/8-16NC. X 3	8
15	18891400	BOLT, 1/2-13NC. X 2	8
16	18417400	LOCK WASHER, 1/2	8
17	143989	HEX. NUT, 1/2-13NC.	8
18	404254	LOAD CELL WITH CABLE TO JCTN BOX	4
19	141879	JUNCTION BOX, WITHOUT CABLES*	1
20	18025715	JUNCTION BOX WITH CABLES*	1
21	18987800	*OBSOLETE (PRIOR TO 2008)	6
22	407093	BOLT, #10-24 X 3/4	6
23	404500	FLANGE NUT, #10-24	1
24	400590	WEIGH INDICATOR DISPLAY (2015 +)	1
25	840459	WEIGH INDICATOR DISPLAY (OBS 2014)	1
26	18025718	WEIGH INDICATOR DISPLAY WITH CABLES*	1
27	18018	*OBSOLETE (PRIOR TO 2008)	1
28	824316	INDICATOR MOUNTING BRACKET	1
29	141832	BOLT, 1/4-20NC. X 3/4	8
30	146150	FLANGE NUT, 1/4-20NC.	8
31	141826	CABLE, (INDCTR TO JUNCTN BX.) 15 FT. 1	1
32	47009766	CABLE, (INDCTR TO JUNCTN BX.) 30 FT. 1	1
33	COV-1011Z1	POWER CORD, (W/EXTENSION PLUG-IN)	1
34	18058427	POWER CORD, (WITH SOCKET)	1
35	18498400	CABLE MOUNT BRACKET	1
36	18058427	CABLE SUPPORT LOOP (TO TRACTOR)	2
37	18498400	BOLT, 3/4-10NC. X 1 1/4	4
38	18498400	HEX. FLANGE NUT, 3/4-10NC.	4
39	21594-0529	FOR SPREADERS WITH "WEIGH-TRONICS" WEIGH SYSTEMS (FALL 2001 PRODUCTION)	4
40	61554	LOAD CELL WITH CABLE	1
41	12339-0015	CABLES PLUG INTO THE INDICATOR DISPLAY	1
42	14295-0039	WEIGH INDICATOR DISPLAY	1
43		MOUNTING BRACKET	1
44		POWER CORD (TO BATTERY)	1



ILLUSTRATED WITH THE INDICATOR  
MOUNTED ON THE SPREADER BOX.  
MOUNT ITEM 25 ON THE TRACTOR CAB

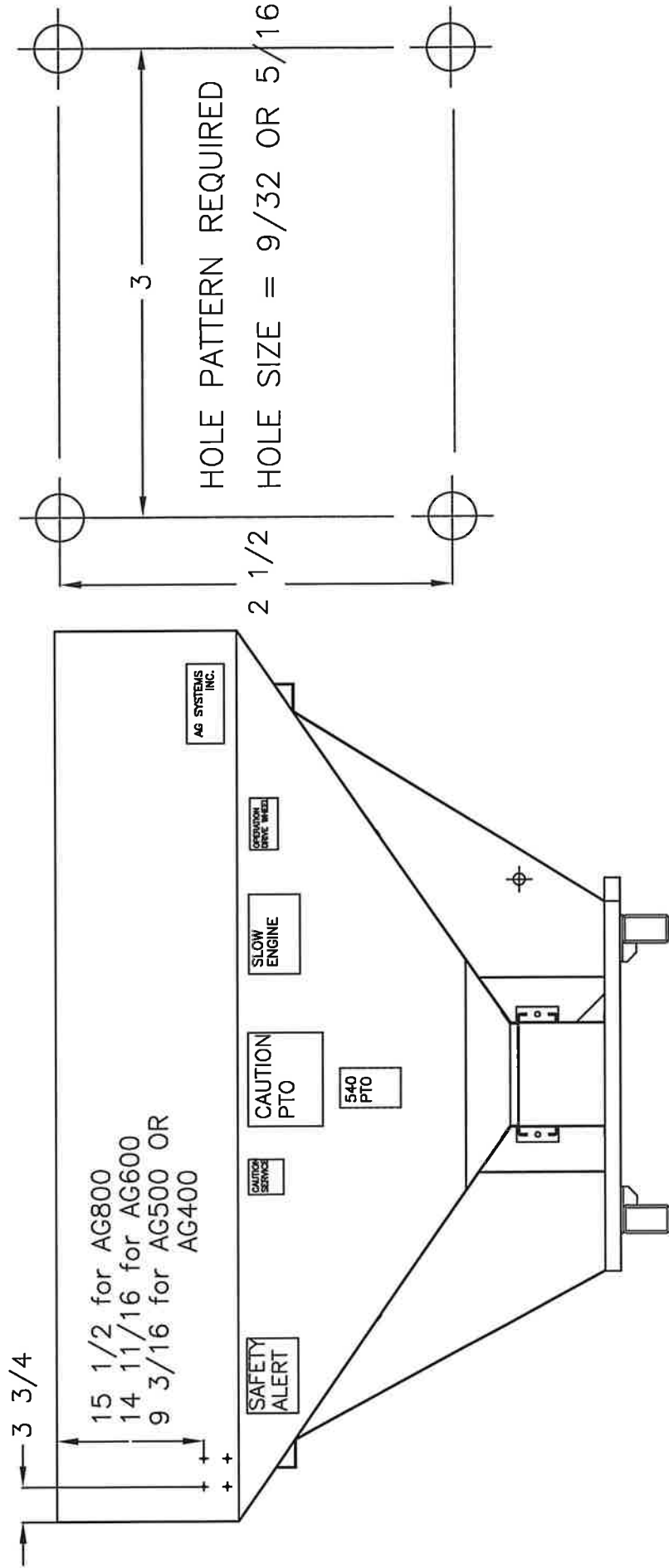
# WEIGH FRAME INDICATOR DISPLAY MOUNTING TEMPLATE

## FOR DIGI-STAR ONLY PRE 2018

DRILL A HOLE PATTERN AS SHOWN.  
 (MEASURE AND MARK OR USE THE TEMPLATE)  
 LOCATE THE PATTERN AS SHOWN BELOW.

MOUNTING HARDWARE

- 18025718 BOLT, 1/4-20NC. X 3/4 4
- 18018 FLANGE NUT, 1/4-20NC. ZC. 4

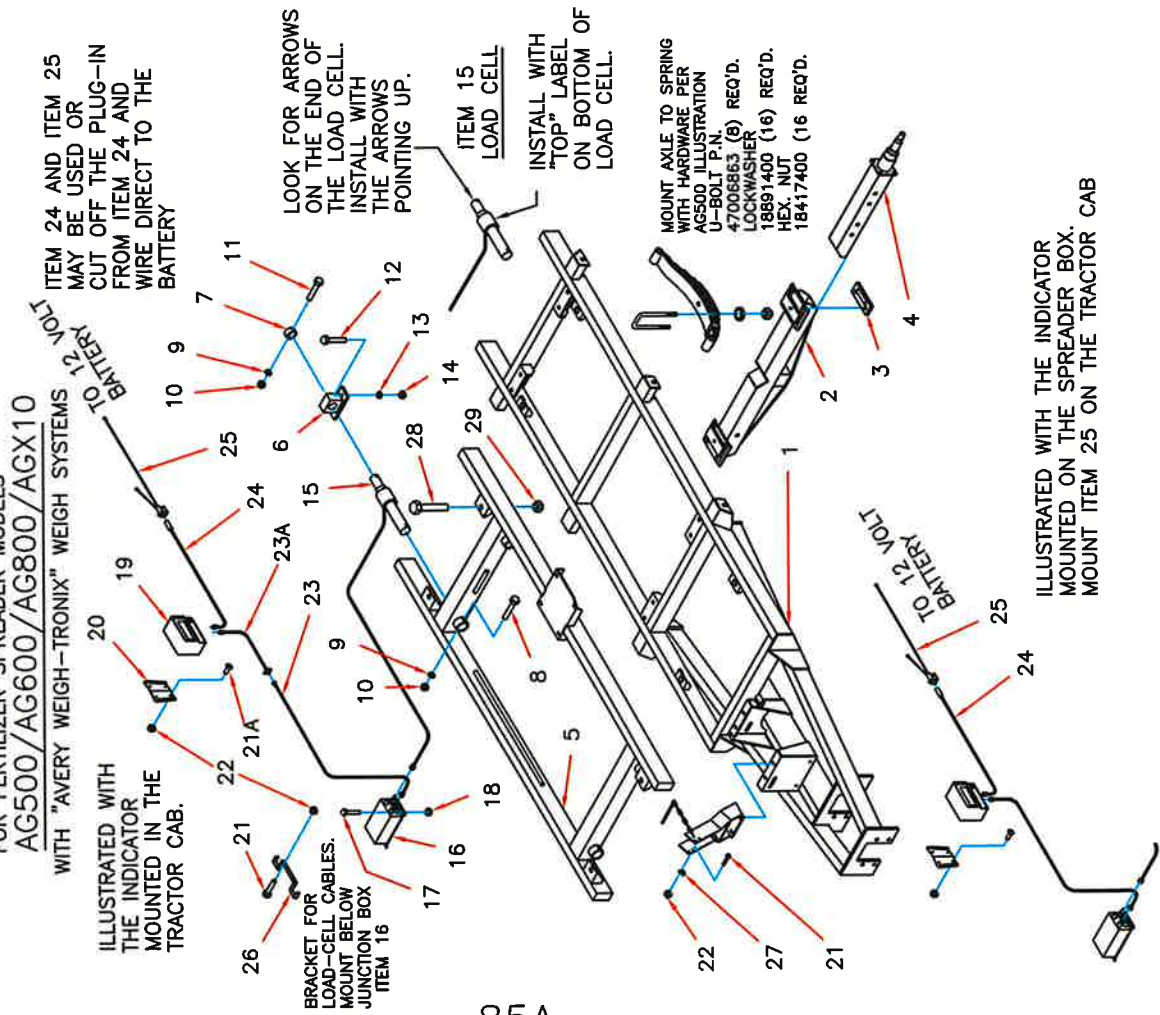


WAYFRM2018  
11/09/22

# WEIGH BAR ASSEMBLY (2018 & NEWER)

FOR FERTILIZER SPREADER MODELS  
AG500/AG600/AG800/AGX10

WITH "AVERY WEIGH-TRONIX" WEIGH SYSTEMS



ITEM	PART NO.	DESCRIPTION	QTY.
1	47009728	MAIN FRAME, AG500 AND AG600	1
2	47019729	MAIN FRAME, AG800 / AGX10	1
3	47009520	AXLE CENTER TUBE, AG500 & AG600	2
4	47009520	MOUNT PER AG500 ILLUSTRATION	2
5	47009520	FOR AG800 SEE AG800 ILLUSTRATION	2
6	47009404	AXLE CLAMP, AG500 AND AG600	4
7	47009725	FOR AG800 SEE AG800 ILLUSTRATION	4
8	47009718	FOR AG800 SEE AG800 ILLUSTRATION	4
9	47019730	WEIGH FRAME, AG500 AND AG600	1
10	47019730	WEIGH FRAME, AG800/AGX10	1
11	47009755	LOAD CELL MOUNT	4
12	47009717	RETAINING COLLAR	4
13	18056842	BOLT, 3/8-16NC. X 3 1/2	4
14	18891200	LOCKWASHER, 3/8	8
15	18436800	HEX. NUT, 3/8-16NC.	8
16	18056838	BOLT, 3/8-16NC. X 3	4
17	18057430	BOLT, 1/2-13NC. X 2	8
18	18891400	LOCK WASHER, 1/2	8
19	18417400	HEX. NUT, 1/2-13NC.	8
20	AWT27-500229	LOAD CELL WITH CABLE TO JCTN BOX	4
21	AWT15-500067	JUNCTION BOX, WITHOUT CABLES	4
22	18025715	BOLT, #10-24 X 3/4	1
23	18987800	FLANGE NUT, #10-24	S.S. 4
24	640MS5P-640M	WEIGH INDICATOR DISPLAY	S.S. 4
25	76597	INDICATOR MOUNTING BRACKET	1
26	18025718	BOLT, 1/4-20NC. X 3/4	4
27	18706423	SCREW, TRUSS SLOT 1/4 X 3/4	S.S. 4
28	18971400	FLANGE NUT, 1/4-20NC.	S.S. 8
29	AWT25-500186	CABLE, (INDCTR TO JUNCTN BX.) 22.5 FT.	1
30	15186-0145	CABLE, (INDCTR TO JUNCTN BX.) 30 FT.	1
31	14295-0039	POWER CORD, (W/EXTENSION PLUG-IN)	1
32	12342-0010	POWER CORD, (WITH SOCKET)	1
33	47009766	CABLE MOUNT BRACKET	1
34	41859	CABLE SUPPORT LOOP (TO TRACTOR)	2
35	18058427	BOLT, 3/4-10NC. X 1 1/4	4
36	18498400	HEX. FLANGE NUT, 3/4-10NC.	4

Avery Weigh-Tronix Shield = Orange	+ Exc = Green - Exc = Black	+ Sig = White - Sig = Red
Digi-star Shield = Clear	+ Exc = Red - Exc = Black	+ Sig = White - Sig = Green

## CONFIGURE CALIBRATION NUMBER FOR MODEL 640 INDICATOR

*(Information supplied by Avery Weigh-Tronix)*

Procedure to configure calibration number in a 640 Series Indicator:

1. Press and hold the **HOLD/MENU** button for 3 beeps and release
2. *SET.PAS* will appear on the display
  - a. Use the **RM** and **M+** buttons to enter in the password 640 (To advance to next character press the **HOLD/MENU** button)
3. Once 640 is displayed on the display press the **PRINT SELECT** button
4. 640 will appear on the display with all annunciators one around the display
5. Press the **PRINT SELECT** button
6. *CONFIG* will appear on the display
7. Press the **PRINT SELECT** button
  - a. Use the **RM** and **M+** buttons to enter in the Config Code 98300 (To advance to next character press the **HOLD/MENU** button)
8. Once 98300 is displayed on the display press the **PRINT SELECT** button
9. *CONFIG* will appear on the display
10. Press the **HOLD/MENU** button once
11. *CUSTOM* will appear on the display
12. Press the **PRINT SELECT** button
13. Use the **RM** and **M+** buttons to enter one of the following codes (To advance to next character press the **HOLD/MENU** button)
  - a. 4 Bar System using part number AWT27-500229 (Spreaders and 6500 Applicators)
    - i. Custom Code number is 32000
  - b. 4 Bar System using part number AWT27-500205 (MT600 Tender)
    - i. Custom Code number is 36904
  - c. 6 Bar System using part number AWT27-500205 (MT900 Tender)
    - i. Custom Code number is 55356
14. Once the correct code number is displayed press the **PRINT SELECT** button once
15. *CUSTOM* will appear on the screen
16. Press the **G/N** button until display says *BUSY*
17. Your configuration is complete

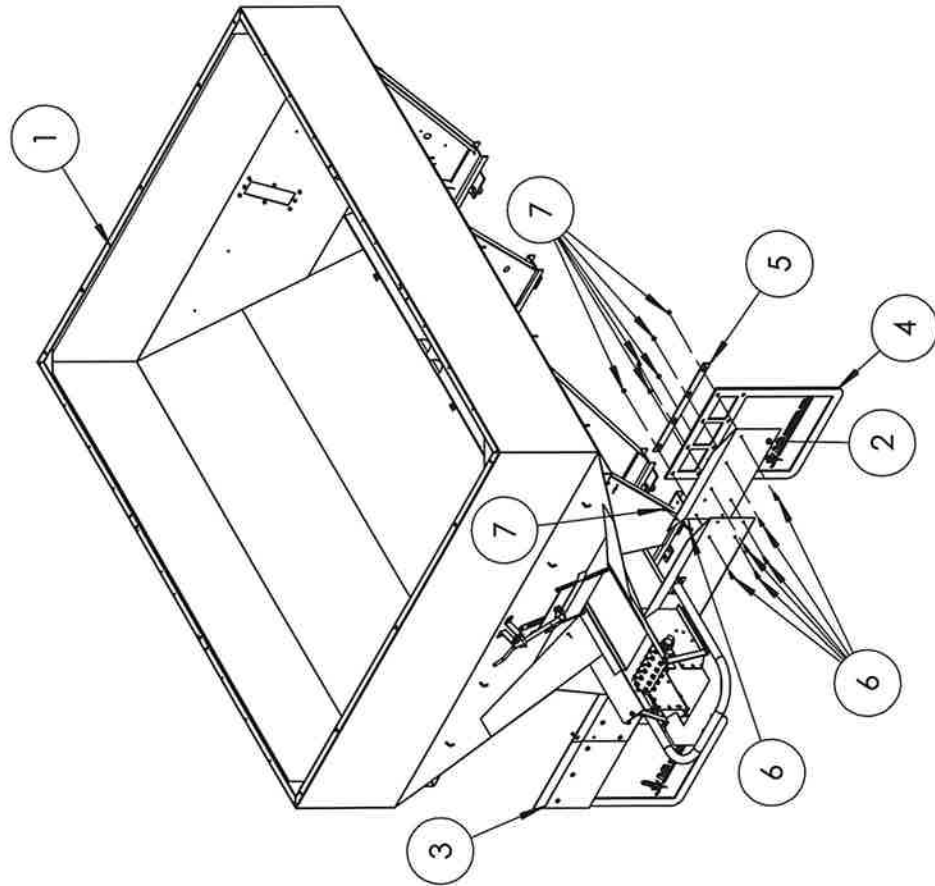
It seems like a lot of steps, but this process should take less than one minute.

*(For further inquiries/details, please consult your Avery Weigh-Tronix manual.)*

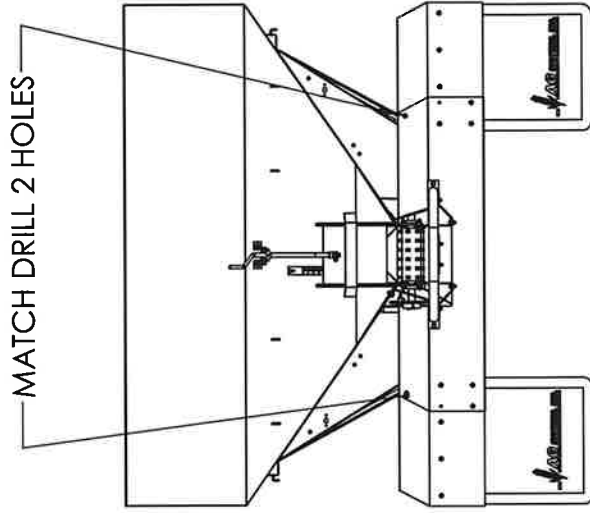


# **SPREADER MUD FLAP KIT**

P/N: 47070545

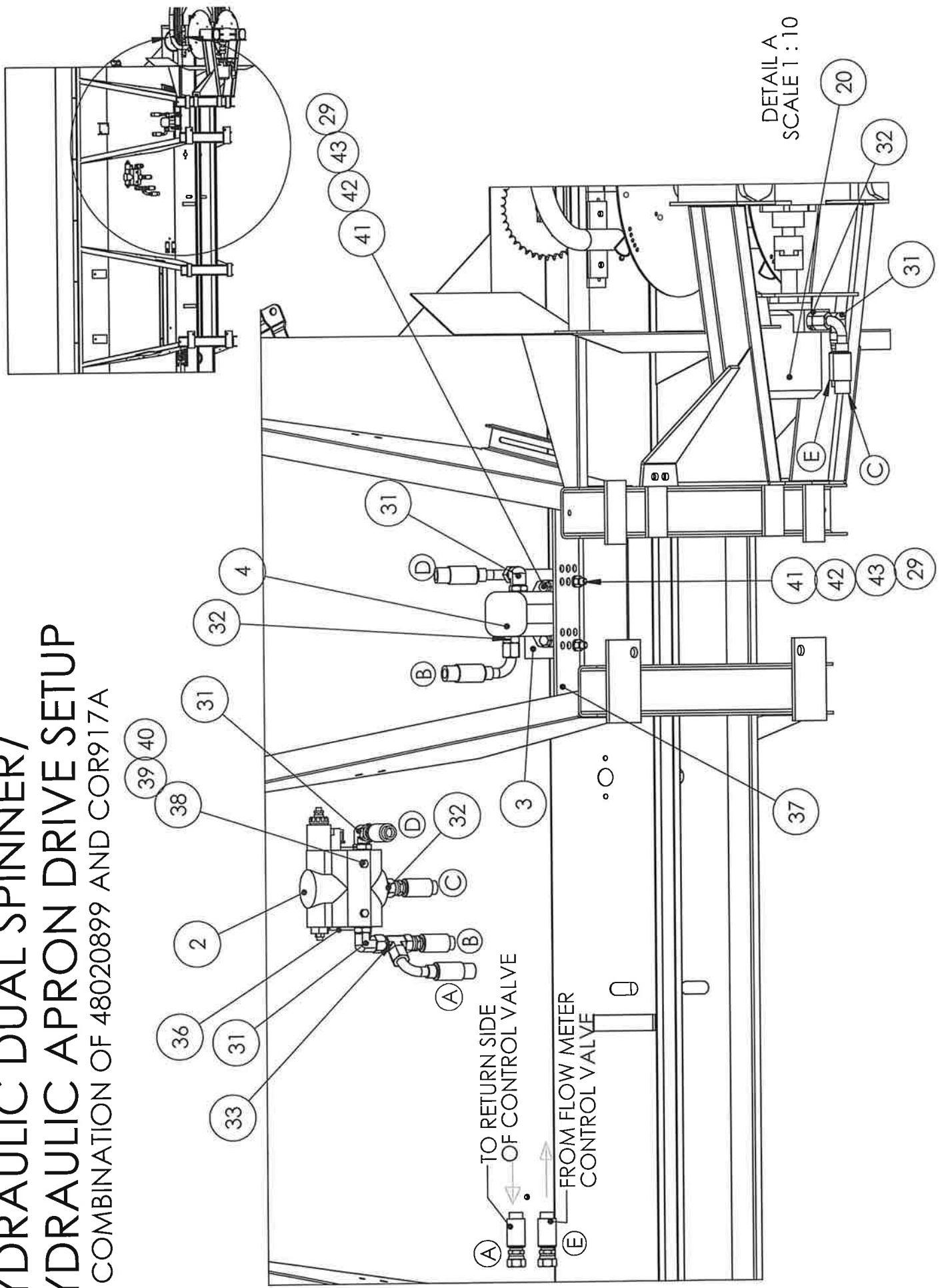


ITEM NO.	PART NUMBER	DESCRIPTION	QTY.
1	48000800	AG800 HC BOX (FOR REFERENCE ONLY)	1
2	70543	MUD FLAP MOUNT	1
3	70544	MUD FLAP MOUNT	1
4	76714	MUD FLAP	2
5	47006302	MOUNTING STRAP	2
6	91772A679	BOLT, PAN HEAD PHILLIPS 3/8-16 X 1 1/4 LG SS	14
7	18987900	NUT SER FLG SS 3/8	14



# HYDRAULIC DUAL SPINNER/ HYDRAULIC APRON DRIVE SETUP

COMBINATION OF 48020899 AND COR917A





## HYD. DUAL DISTRIBUTOR & HYD. APRON DRIVE COMBO PARTS LIST

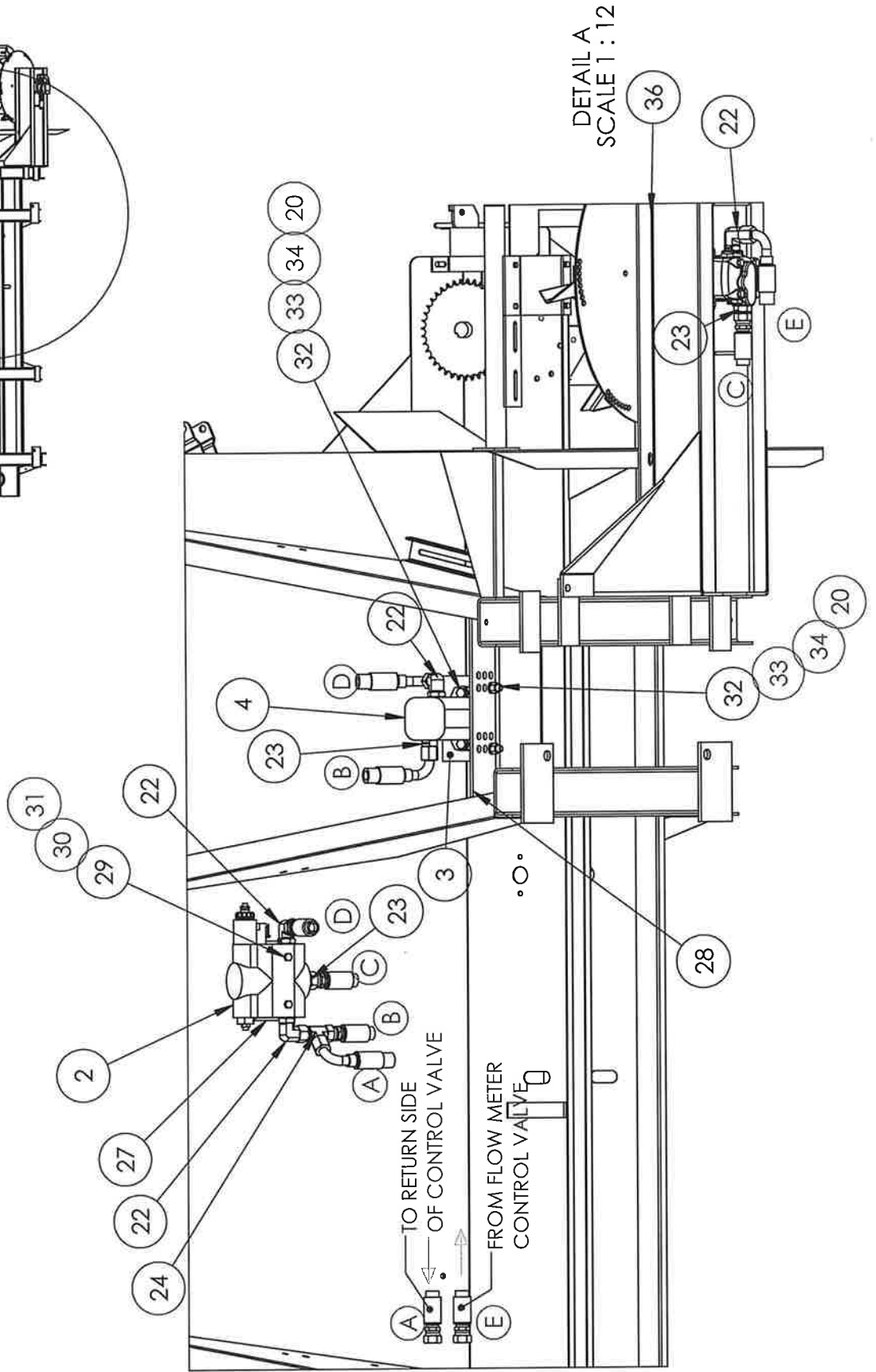
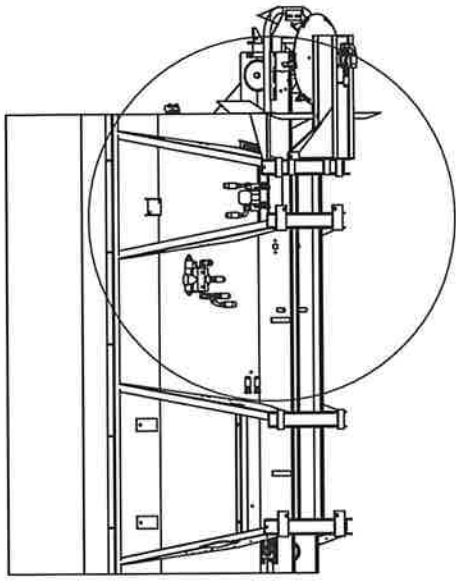
ITEM NO.	PART NUMBER	DESCRIPTION	QTY.
2	063-0171-843	PVM VALVE, 15 GPM	1
3	47005190	CONVEYOR MOUNT BRACKET	1
4	51930	HYDRAULC MOTOR (APRON CONVEYOR)	1
5	10106	SPROCKET #50 13 TOOTH 1" BORE	1
11	31440	DRIVE SPROCKET	1
20	02182	HYDRAULIC MOTOR (DUAL SPINNER)	1
29	18997400	NUT, HEX 1/2-13 NC SS	4
31	6801-12-12	ELBOW #12 MJIC X #12 M O-RING	4
32	6400-12-12	FITTING #12 MJIC TO #12 M O-RING	3
33	6602-12-12-12	SWIVEL NUT RUN TEE	1
36	47003853	BRACKET, FOR RAVEN &PVM HYD SERVO	1
37	47005193	CONVEYOR MOTOR MOUNT SUPPORT	1
38	18056842	BOLT, 3/8-16 X 3 1/2 LG ZC	2
39	18891200	FLATWASHER, 3/8 ZC	2
40	18457800	NUT CENTER LOCK 3/8-16 ZC	2
41	18022026	BOLT SS HX 1/2 X 1 1/2	4
42	18824800	WASHER FLAT 1/2 SS	4
43	18991400	WASHER LOCK 1/2 SS	4

## HOSE LIST

HOSES				
CONNECTION	PART #	SPECS	END #1	END #2
A-A	612128	3/4 X 128" LG	#12JICFS	#12JICFS X 90°
B-B	632036	3/4 X 36"	#12JICFS	#12JICFS X 90°
C-C	612075	3/4 X 75"	#12JICFS	#12JICFS X 90°
D-D	632036	3/4 X 36"	#12JICFS	#12JICFS X 90°
E-E	610178	3/4 X 178"	#12JICFS	#12JICFS

# HYDRAULIC SINGLE SPINNER/ HYDRAULIC APRON DRIVE SETUP

COMBINATION OF COR917 AND 48020899



## HYD. SINGLE DISTRIBUTOR & HYD. APRON DRIVE COMBO PARTS LIST

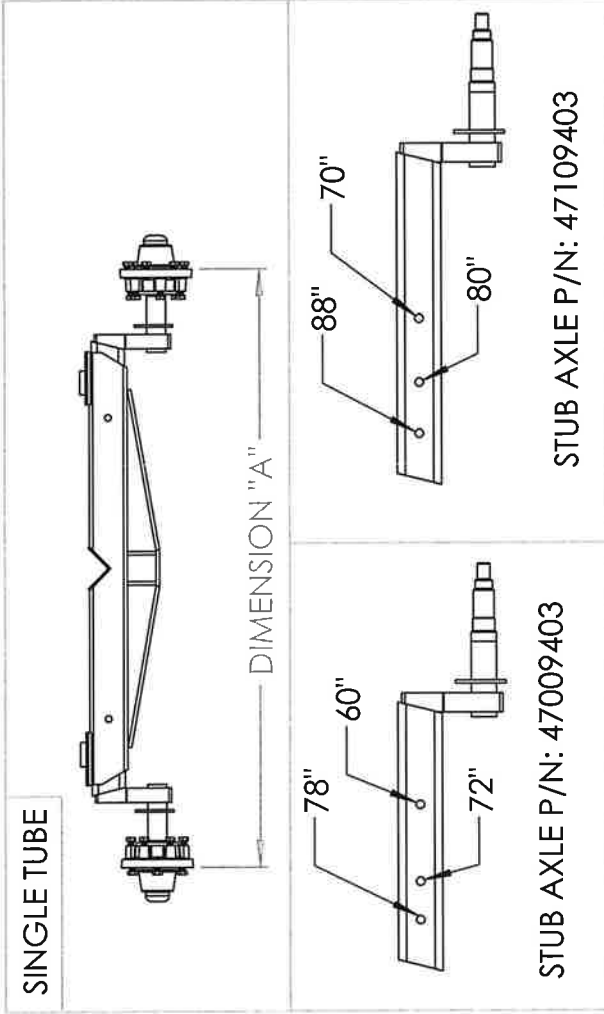
ITEM NO.	PART NUMBER	DESCRIPTION	QTY.
2	063-0171-843	PVM VALVE, 15 GPM	1
3	47005190	CONVEYOR MOUNT BRACKET	1
4	51930	HYDRAULC MOTOR (APRON CONVEYOR)	1
5	10106	SPROCKET #50 13 TOOTH 1" BORE	1
11	31440	DRIVE SPROCKET	1
20	18997400	NUT, HEX 1/2-13 NC SS	4
22	6801-12-12	ELBOW #12 MJIC X #12 M O-RING	4
23	6400-12-12	FITTING #12 MJIC TO #12 M O-RING	3
24	6602-12-12-12	SWIVEL NUT RUN TEE	1
27	47003853	BRACKET, FOR RAVEN &PVM HYD SERVO	1
28	47005193	CONVEYOR MOTOR MOUNT SUPPORT	1
29	18056842	BOLT, 3/8-16 X 3 1/2 LG ZC	2
30	18891200	FLATWASHER, 3/8 ZC	2
31	18457800	NUT CENTER LOCK 3/8-16 ZC	2
32	18022026	BOLT SS HX 1/2 X 1 1/2	4
33	18824800	WASHER FLAT 1/2 SS	4
34	18991400	WASHER LOCK 1/2 SS	4
36	48010809	SINGLE DIST. HYD. SPINNER KIT	1

## HOSE LIST

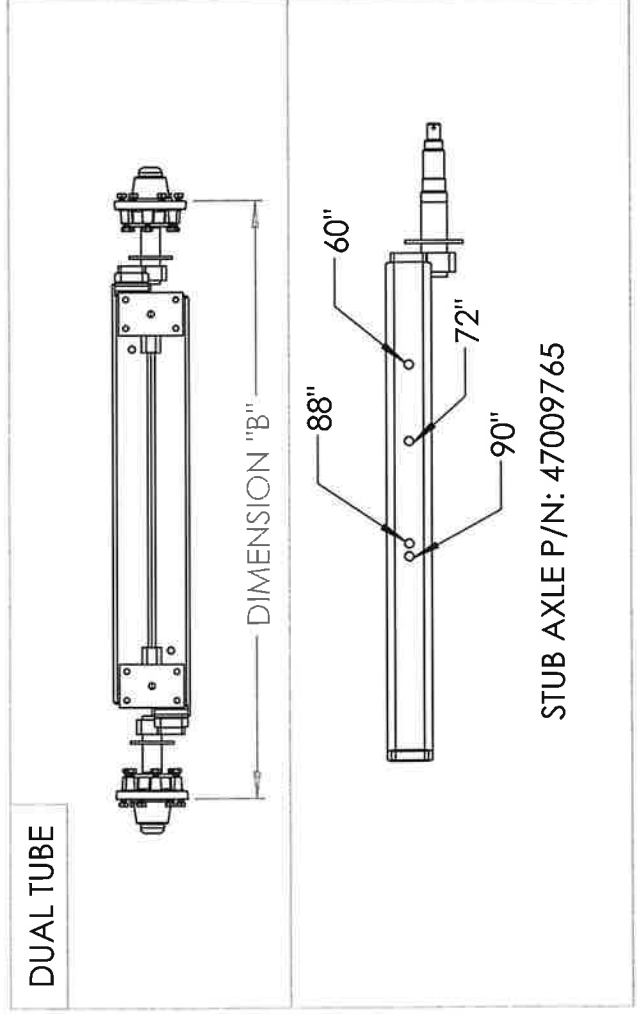
HOSES				
CONNECTION	PART #	SPECS	END #1	END#2
A-A	612128	3/4 X 128" LG	#12 JICFS	#12 JICFS X 90°
B-B	632036	3/4 X 36" LG	#12 JICFS	#12 JICFS X 90°
C-C	612075	3/4 X 83" LG	#12 JICFS	#12 JICFS
D-D	632036	3/4 X 36" LG	#12 JICFS	#12 JICFS X 90°
E-E	610178	3/4 X 178" LG	#12 JICFS	#12 JICFS X 90°

# AG500 AXLE SPACING

STANDARD RIM OFFSET +1 1/8



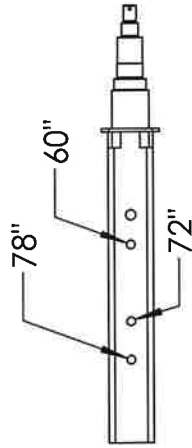
SINGLE TUBE CENTER SECTION		
WHEEL SPACING	DIMENSION "A"	STUB AXLE P/N:
60"	62.34	47009403
70"	72.34	47109403
72"	74.34	47009403
78"	80.34	47009403
80"	82.34	47109403
88"	90.34	47109403



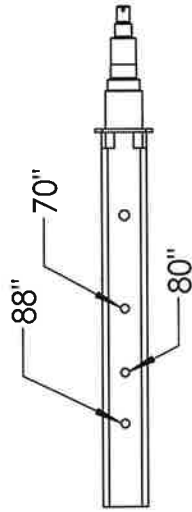
DUAL TUBE CENTER SECTION		
WHEEL SPACING	DIMENSION "B"	STUB AXLE P/N
60"	62.34	47009765
72"	74.34	
88"	90.34	
90"	92.34	

# AG600 AXLE SPACING

SINGLE TUBE



STUB AXLE P/N: 47008659

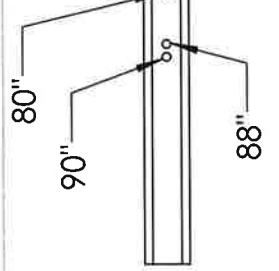
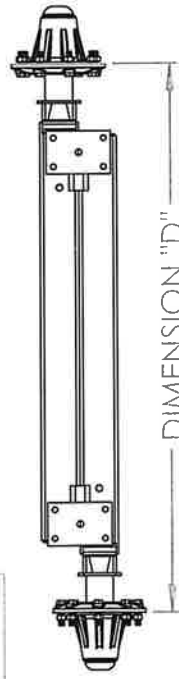


STUB AXLE P/N: 47108659

STANDARD RIM OFFSET -1 1/2

WHEEL SPACING	SINGLE TUBE CENTER SECTION	
	DIMENSION "C"	STUB AXLE P/N
60"	57.21	47008659
70"	67.21	47108659
72"	69.21	47008659
78"	75.21	47008659
80"	77.21	47108659
88"	85.21	47108659

DUAL TUBE



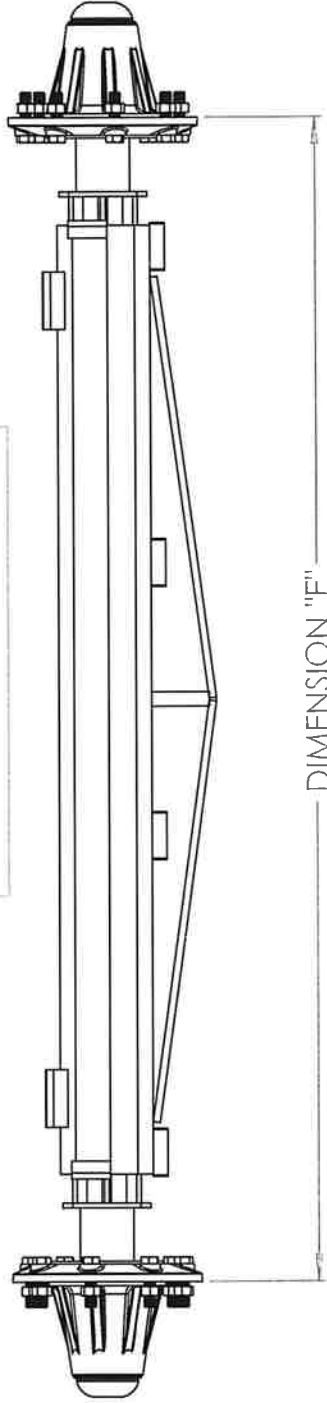
STUB AXLE P/N: 47009826

WHEEL SPACING	SINGLE TUBE CENTER SECTION	
	DIMENSION "D"	STUB AXLE P/N
60"	57.21	47009826
62"	59.21	
68"	65.21	
72"	69.21	
80"	77.21	
88"	85.21	
90"	87.21	

(16L TIRES CAN'T BE USED WITH 60" & 62")

# AG800 AXLE SPACING

STANDARD RIM OFFSET - 1 1/2



WHEEL SPACING	DIMENSION "E"	STATUS	STUB AXLE
64"	60.71	RETRACTED	47009311
80"	76.71	EXTENDED	47009311
72"	68.71	RETRACTED	47109311
88"	84.71	EXTENDED	47109311

